

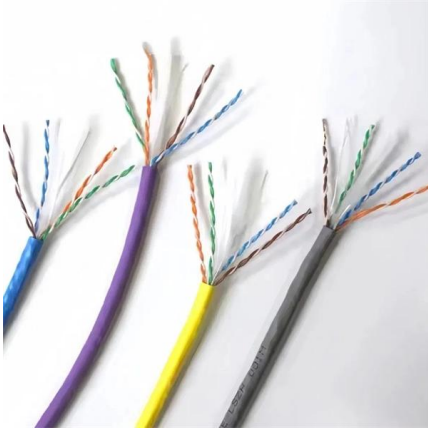
# **Zimbabwe Technical Support AI Server 800G**





## Zimbabwe Technical Support AI Server 800G

---



### Zimbabwe National Artificial Intelligence (AI) Strategy

This workforce will be transformed for the AI era through a nationwide approach, including Public Sector AI Academies offering tailored courses, strategic AI literacy, and practical AI training, and subsidizing

[Contact Us](#)

### Top 3 AI Data Center Challenges at 800G / 1.6T -- and

Scaling AI infrastructure comes with high financial and technical stakes. Learn how Keysight helps organizations reduce risk, accelerate deployment, and maximize

[Contact Us](#)



### How NVIDIA ConnectX-8 SuperNIC Became a

Explore how ConnectX-8 SuperNIC revolutionizes AI server design via PCIe Gen6 for NVIDIA RTX Pro, while driving 800G and 1.6T transceiver growth

[Contact Us](#)



### 400G to 800G Upgrade: The Complete AI Data Center Guide

A comprehensive guide to upgrading your AI data center infrastructure from 400G to 800G networking -- covering technical specifications, business ROI, phased migration strategy,

[Contact Us](#)



### Path to 800G: Technical Challenges & Testing Strategies

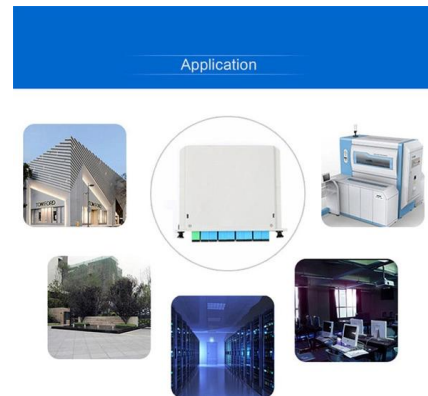
Specifically, an urgent need exists for vendor-neutral interoperability testing to support rapid 800G advancement and adoption.

[Contact Us](#)

### TechFlow Technologies , IT Solutions & Support in

24/7 comprehensive IT support services to keep your systems running smoothly and efficiently. Professional Starlink satellite internet installation, setup, and ongoing

[Contact Us](#)



### Sawara Technologies

Founded in the heart of Harare, Sawara Technologies stands at the forefront of Zimbabwe's digital revolution. We are a team of visionary technologists, strategists, and innovators committed to

[Contact Us](#)

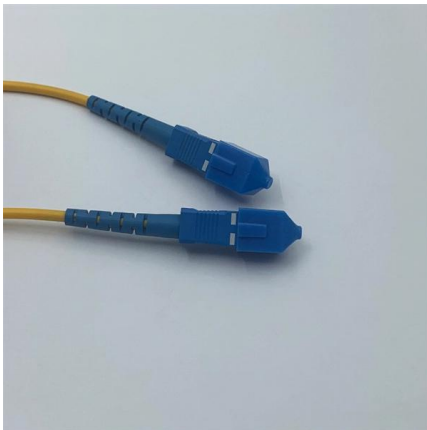




## Launch of Technical Study on 800G Interface

October 29, 2025 BBIX, Inc. Launch of Technical Study on 800G Interface Implementation BBIX, Inc. ("BBIX"), has commenced a technical study toward the

[Contact Us](#)



## AI Data Center Network Architecture Requirements:

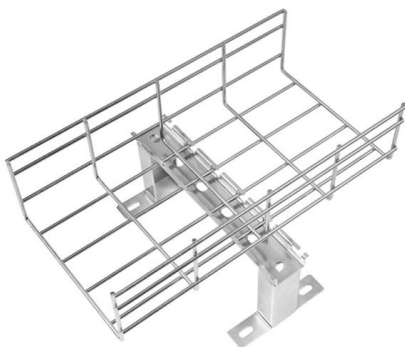
AI Data Center Network Architecture Requirements: 400/800G Optical Transceivers With the continuous development of AI technology and related

[Contact Us](#)

## AIVA Solutions

We build tailored software systems for Zimbabwean businesses and institutions--optimizing operations in construction, health, agriculture, and

[Contact Us](#)



## 800G Ethernet Explained: Powering AI and Cloud Data Centers

800G Ethernet supports a transmission rate of 800 gigabits per second (Gbps), which is twice that of 400G, achieved through 8 channels of 100Gbps, capable of handling massive data

[Contact Us](#)



### Hire the best remote Technical Support employees in Zimbabwe

Himalayas helps you find and hire the best remote Technical Support workers in Zimbabwe who are looking for their next full-time, part-time or freelance opportunity.

[Contact Us](#)



### TechFlow Technologies , IT Solutions & Support in

Professional Starlink satellite internet installation, setup, and ongoing technical support services. TechFlow is Zimbabwe's premier technology solutions provider,

[Contact Us](#)

### Power Your GenAI Ambitions with New Cisco AI-Ready

With generative AI poised to significantly boost global economic output, Cisco is helping to simplify the challenges of preparing your infrastructure

[Contact Us](#)



### Top 20+ IT Companies in Zimbabwe (2026)

Discover the best IT companies in Zimbabwe. 46 companies are available in this region. Hire the top tech company in Zimbabwe for the services you need!

[Contact Us](#)



## Top 20+ AI Deployment Companies in Zimbabwe (2026)

Discover Top IT Companies in Zimbabwe specialized in AI Deployment and other related services. Find the best IT service providers for your projects. Start now! This month, the following AI Deployment

[Contact Us](#)



## The Rise of 800G Ethernet: FS 800G AI Switches for

Discover 800G Ethernet technology and FS 800G AI switches, delivering ultra-high bandwidth, low latency, and lossless performance for AI/ML

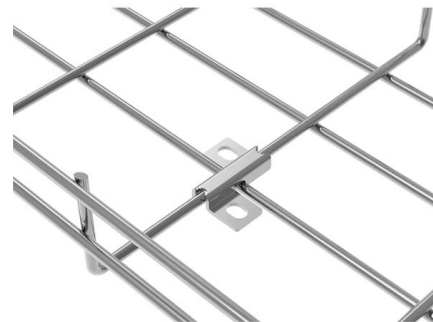
[Contact Us](#)



## Technical Overview of 800G OSFP Modules

Future-Proof Technology Designed for seamless integration with existing network infrastructure, the 800G OSFP modules support evolving network demands and

[Contact Us](#)



## FS 400G/800G Open Networking Switch for Scalable AI and Multi

FS offers four models of 400G and 800G open networking switches, utilizing the Broadcom Tomahawk 4 and Tomahawk 5 chip platforms. These switches support high-speed ports,

[Contact Us](#)



## Understanding 800G Ethernet: Architecture, Standards, and Strategic

Comprehensive guide to 800G Ethernet deployment -- technical architecture, QSFP-DD vs OSFP comparison, migration roadmap, ROI/TCO analysis, deployment checklist, and FAQ for

[Contact Us](#)



## Sawara Technologies

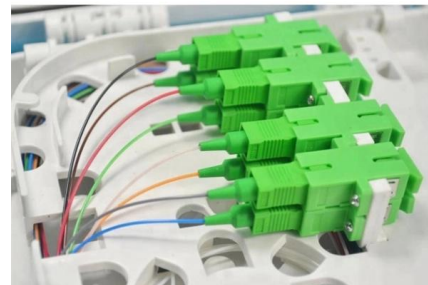
Our mission is clear: to deliver world-class software development, strategic IT consulting, groundbreaking AI research, and seamless technology integration that propels Zimbabwean

[Contact Us](#)

## Top 3 AI Data Center Challenges at 800G / 1.6T -- and

As AI workloads intensify, data centers are transitioning to higher-speed interconnects such as 800G and 1.6T Ethernet to accommodate the massive data

[Contact Us](#)



|                   |                                      |
|-------------------|--------------------------------------|
| PRODUCTION NAME   | Frequency conversion control cabinet |
| PROTECTION DEGREE | IP55                                 |
| VOLTAGE           | 220/380V                             |
| SIZE              | customized as required               |
| MOUNTING WAY      | Floor-standing                       |
| APPLICATION       | Indoor and outdoor                   |

## Arista 7060X6 Series

This support will further enhance the RDMA properties on the 7060X6 series, and also allow for higher scalability in AI deployments, by tuning across multiple layers to enhance both AI and high

[Contact Us](#)



## AI Data Center Upgrades 2025: Best 400G & 800G

Plan AI data center upgrades for 2025. Expert guide to selecting the best 400G and 800G optical transceivers, cables, and network solutions for AI

[Contact Us](#)



## The Power Revolution of Artificial Intelligence: In-depth Analysis of

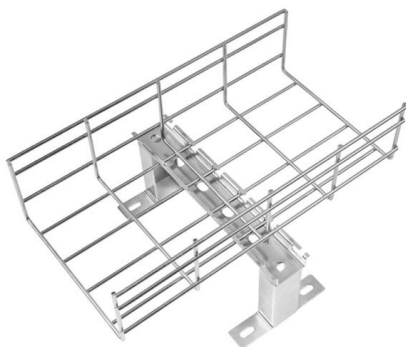
The technical iteration path from the transformation of existing facilities to the ultimate SST solution is as follows: NGI AI Full-Scenario Testing Solution NGI has been deeply engaged in the

[Contact Us](#)

## IT Consultancy in Zimbabwe

Information Technology Consultancy in Zimbabwe Information Technology (IT) consulting is a broad service helping companies implement new transformative

[Contact Us](#)



## Scaling the Internet for the Future With 800G Innovations

Cisco Scales Internet for the Future with New 800G Innovations. Service providers and cloud operators are looking to scale for today and the

[Contact Us](#)



## **Redefining power infrastructure for AI: the role of 800**

Redefining power infrastructure for AI: the role of 800 VDC in data centers Technical Article , Zurich, Switzerland , 2025-10-13 The rapid expansion

[Contact Us](#)



## **IoT Server Hosting & Data Services Zimbabwe , Ryzosens**

Reliable server hosting and data pipeline management for IoT and automation systems. Ryzosens provides dedicated hosting infrastructure to support your remote sensing and process control

[Contact Us](#)

## **Contact Us**

---

For datasheets, pricing, or custom fiber access solutions, please visit:  
<https://www.frindel.es>