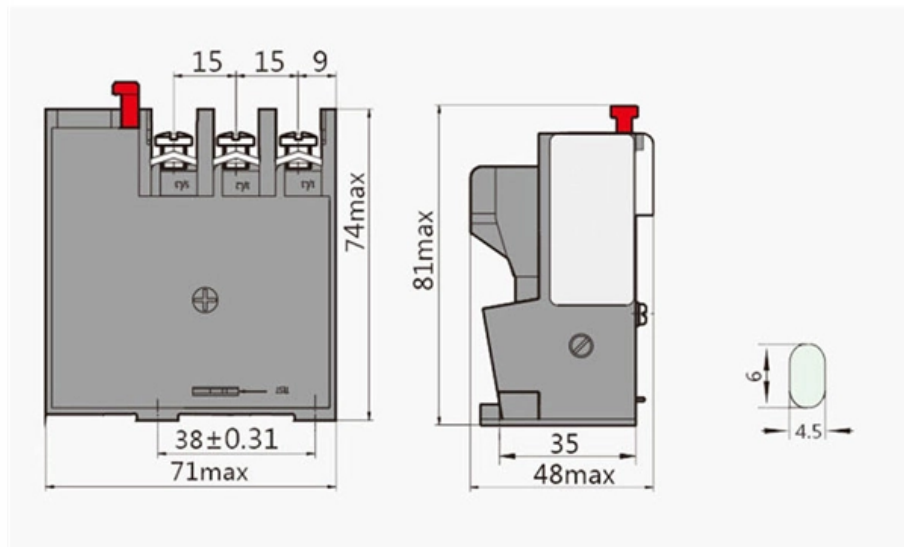


Which fiber optic communication instrument is the best





Overview

Here's a breakdown of common scenarios to help you choose the right fiber optic tools: Recommended Tools: VFL, light source, and power meter. Fiber optic transceivers are critical in modern communication networks, ensuring high-speed data transmission over long distances. Optical Power Meter/Light Source Both power meters and light sources are essential tools that. Fiber Optic Stripper A Fiber Optic Stripper is a specialized tool used to remove the protective coatings and buffer materials from.



Which fiber optic communication instrument is the best



Which Is Best to Test Your Fiber Optic Systems: OLTS or OTDR?

Once all your fiber connections are made, there are two testing methods that can be used to evaluate the performance of the installed fiber optic system: OLTS and OTDR. Learn about their

[Contact Us](#)

OTDR Buy the Best

Choose an OTDR that Best Suits Your Needs
OTDR- also known as an Optical Time Domain Reflectometer. This piece of test equipment is used to determine the loss in a fiber optic cable. The

[Contact Us](#)



Fiber testers : Equipment and tools , Fluke Networks

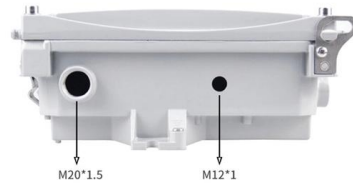
Technicians use various tools to install, maintain, and troubleshoot fiber cabling: detection and verification testers, certification testers, inspection cameras,

[Contact Us](#)



Fiber Optic Connector Selection: Your Ultimate Type Guide

Choose the right fiber optic connector with our comprehensive type selection guide. Discover the features, benefits, and ideal applications of various



How to Test a Fiber Optic Cable: Best Methods & Tools

Want to know how to test a fiber optic cable? We'll look at the most common fiber testing methods and how to use them properly.

[Contact Us](#)

Fiber optics , Definition, Inventors, & Facts , Britannica

Fiber optics, the science of transmitting data, voice, and images by the passage of light through thin, transparent fibers. In telecommunications, fiber optic

[Contact Us](#)



Fiber Optic Tools: Everything You Need to Know

VIAMI Fiber optic tools help you effectively install, maintain, and test your fiber optic networks while ensuring optimal performance. If you are looking for fiber optic test instruments and monitoring

[Contact Us](#)

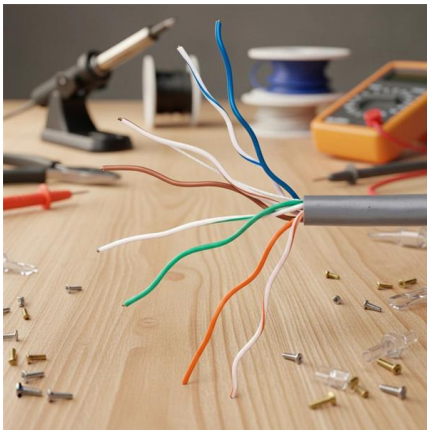




From OTDRs to Inspection Scopes: Navigating Fiber Test Equipment

Discover the essential fiber optic test equipment used by network installers and engineers. From OTDRs and loss testers to inspection scopes and certifiers. Learn how each tool

[Contact Us](#)



Fiber Optics Tools, testing equipment, connectors, and

Fiber Optics Tools, test equipment and patch panels. Low cost fiber optic hand tools, and kits for fiber optic testing, fiber optic connectors.

[Contact Us](#)

Fiber Optic System Testing Tutorial

System Configuration Fiber optic systems include both passive components and active electronics. Passive components consist of all the links and connections that unite communication

[Contact Us](#)



The FOA Reference For Fiber Optics

In order to perform these tests, the basic fiber optic instruments are the FO power meter, test source, OTDR, optical spectrum analyzer and an inspection microscope.

[Contact Us](#)

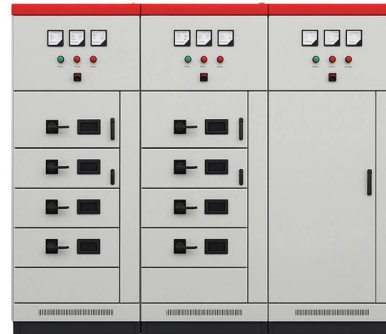
Understanding Fiber Optic Instruments:



Exploring

Among their many uses, fiber optic splicing tools play a crucial role in ensuring seamless connectivity by joining optical fibers with precision. This blog

[Contact Us](#)



Top 10 Test Tools for Fiber Optic Transceiver Technicians

Equipping fiber optic transceiver technicians with these top 10 test tools ensures that they can effectively install, maintain, and troubleshoot fiber optic

[Contact Us](#)

Top 7 Must-Have Tools for Fiber Optic Technicians

As the global leader in fiber optics, Jonard is here to help you incorporate the best tools for the most seamless and comfortable experience. In addition to the tools

[Contact Us](#)



Fiber Optic Cable Testing Methods ,Fluke Networks

Fiber optic networks are the backbone of modern telecommunications, providing high-speed data transmission over long distances with minimal loss. The performance and reliability of these networks

[Contact Us](#)



Choosing Fiber Optic Tools: A Comprehensive Guide

Whether you're working on an FTTH installation, maintaining a data center, or deploying a 5G network, selecting the right tools is key. Explore

[Contact Us](#)



Fiber testers : Equipment and tools , Fluke Networks

Fluke fiber testers and tools help ensure the performance of a fiber network at installation, or before and after adding or upgrading equipment.

[Contact Us](#)

Fiber optics communication , Instrumentation and

Fiber Optics Fiber optic communication uses light signals guided through a fiber core. Fiber optic cables act as wave guides for light, with all the

[Contact Us](#)



Types of Fiber Optic Tester

What is Fiber Tester? Fiber testers are instruments and equipment used to test fiber optic transmission links. With the widespread use of optical

[Contact Us](#)





Fiber Optic Instruments: The Backbone of Modern

Fiber-Life offers a comprehensive range of fiber optic instruments, including those for splicing, testing, and polishing, ensuring that every installation,

[Contact Us](#)



Fiber Optic Cable Types Explained: Choosing the Right

In high-speed network environments--such as data centers, enterprise LANs, and telecom backbones--fiber optic cables are critical in

[Contact Us](#)

Top 7 Must-Have Tools for Fiber Optic Technicians

This article outlines some essential tools for a Fiber Optic Technician, as well as their functionalities.

[Contact Us](#)



Top 10 Essential Fiber Optic Tools Every FTTH Technician Must Have in

Top 10 Essential Fiber Optic Tools Every FTTH Technician Must Have in 2026 The demand for high-speed internet and FTTH (Fiber to the Home) connections is growing rapidly across

[Contact Us](#)



Fiber Optic Cables: Advantages, Disadvantages, and

As the need for high-speed, secure data transmission increases, fiber optic cables have become a critical component in modern communication

[Contact Us](#)



How does fiber optics work?

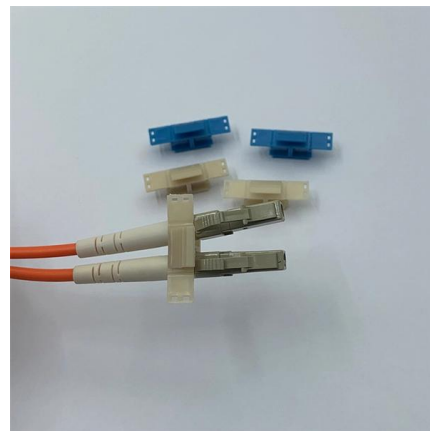
An easy-to-understand introduction to fiber optics (fibre optics), the different kinds of fiber optic cables, and how light travels down them.

[Contact Us](#)

The FOA Reference For Fiber Optics

They transmit voice over fiber optic cables already installed, allowing technicians splicing or testing the fiber to communicate effectively. Talksets are especially

[Contact Us](#)



Top 6 Advantages and Disadvantages of Fiber Optic

Explore the top 6 advantages and disadvantages of fiber optic cable over copper, such as increased bandwidth, low attenuation, immunity to

[Contact Us](#)



Fiber Optic Tool & Equipment

When stripping fiber optic cable, a professional quality Stripping Tool makes your job easier by completely removing all of the coatings on the bare fiber. They assure

[Contact Us](#)



12 Fiber Optic Tools Every Installer Should Own

Crucial for certifying new links or troubleshooting existing ones. Good OTDRs come with touchscreen interfaces, multiple wavelengths, and event

[Contact Us](#)



Top 5 Test Tools for Fiber Optic Technicians

In this blog, we will explore the top 5 test tools that help fiber technicians optimize network performance, accurately troubleshoot, and ensure

[Contact Us](#)



Contact Us

For datasheets, pricing, or custom fiber access solutions, please visit:
<https://www.frindel.es>