

Where to start learning sheet metal enclosures and server racks





Where to start learning sheet metal enclosures and server racks

More products



Data Center Server Racks , Fabricated and Perforated

Explore Data Center Server Racks & industry standards. The Accurate Companies offers custom perforated and fabricated metal enclosure solutions.

[Contact Us](#)

Rittal - Enclosures, Busbar Systems, Climate Control, IT

Innovative solutions for industrial applications and IT infrastructure, from versatile electrical enclosures and server racks to climate control, busbar

[Contact Us](#)



8 Essential Design Tips for Sheet Metal Enclosures

Discover essential design tips for creating efficient and functional sheet metal enclosures. Enhance your skills in sheet metal enclosure design for optimal results!

[Contact Us](#)

The Ultimate Guide to Choosing the Right Sheet Metal

Sheet metal enclosures serve as crucial components in a wide range of industries, providing protection and housing for delicate equipment and



How to Design Sheet Metal Enclosures for Scale

Design sheet metal enclosures that scale. Learn how to cut cost, reduce risk, and simplify assembly for bulk orders.

[Contact Us](#)



Data Rack Enclosures for Sale -- Enclosed Server

Enclosed Server Racks Multi-level metal data rack enclosures allow for housing the hardware durably, ergonomically, and securely. They feature a solid metal body

[Contact Us](#)



Inventor sheet metal training. 2-day autodesk-accredited

Learn to create sheet metal designs in Autodesk Inventor. In-class at 8 UK centres, at your site or live online training.

[Contact Us](#)

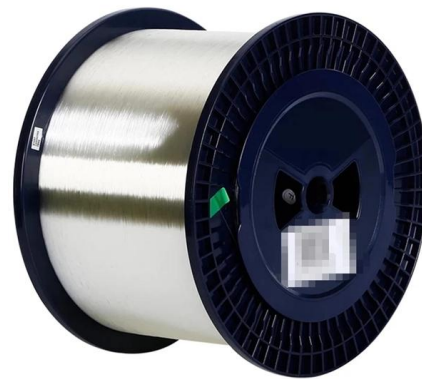




Techrack Server Racks. All Sizes Wall-Mounted And Wire Racks

Server Racks Computer Racks , Server Cabinets , Computer Cabinets , LAN Racks TechRack's heavy duty enclosures provide security and vertical organization to your server and computer equipment,

[Contact Us](#)



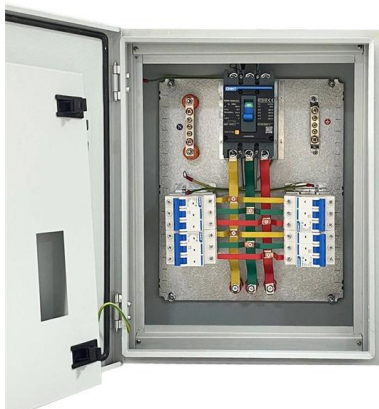
Focus creates quality products



Server Racks & Cabinets , Maysteel Industries

From high-performing computing systems to cloud storage, hybrid environments, and everything in between, Maysteel has custom server racks and cabinets for you.

[Contact Us](#)



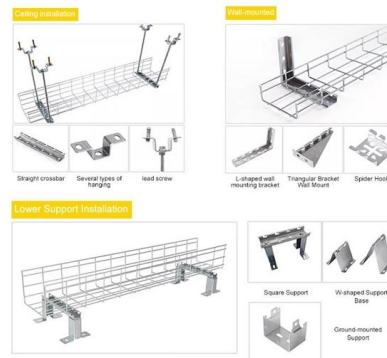
Server Rack Enclosures

Sheet Metal Worker Schools & Apprenticeship Programs

Explore accredited sheet metal worker programs and apprenticeships. Learn about fabrication, HVAC ductwork, and certification options for 2026.

[Contact Us](#)

INSTALLATION METHOD



Autodesk Fusion Sheet Metal Design training , 2-day

Learn to create and manage sheet metal designs in Autodesk Fusion. Autodesk-accredited course. In-class at 8 UK centres or live online.

[Contact Us](#)



Explore our wide selection of rack enclosures at Server Racks Online, designed to protect and organize your IT, server, and network equipment. Our rack

[Contact Us](#)



Sheet metal enclosure buying guide

When it comes to housing electronic components, machinery, or other sensitive equipment, sheet metal enclosures play a critical role in providing protection and containment. This

[Contact Us](#)

Data Center Server Racks

Looking for comprehensive steel fabrication solutions for your data center server racks? Our sister company, Alliance Fabrication and Manufacturing, provides state-of-the-art robotic welding, laser

[Contact Us](#)



How Sheet Metal is Revolutionizing Data Center

For over 25 years, we've specialized in metals for data center infrastructure components, such as custom server racks and cabinets, filler

[Contact Us](#)



Rack Mount Enclosures: The Ultimate Guide to Cabinets

Rack mount enclosures are standardized frames or cabinets designed to house and organize rack-mounted electronic equipment. The 19-inch rack

[Contact Us](#)



Server Enclosures & Cabinets , Metal Fabricating , Chicago

A server enclosure, also known as a server cabinet or chassis, is similar to a server rack but typically includes additional security, cooling, and environmental

[Contact Us](#)

Custom Sheet Metal Server Racks , Cadrex

Tenere offers a variety of fabricated sheet metal solutions for custom server racks, enclosure, cabinets, and chassis needs.

[Contact Us](#)



The Evolution of Server Racks: From Basic Frames to

Sheet metal is perfect for data center products, like server racks. It is lightweight yet durable, and can achieve tight tolerances during manufacturing. It

[Contact Us](#)



Setting Up a Server Rack - Server Rack Installation

If you want to learn more about the correct way of equipment installation, you'll find a network rack installation guide in this article. Server Rack

[Contact Us](#)



How to Setup a Server Rack: Tips and Tricks {Step-by

This article outlines the steps to setup a server rack and offers the tips and tricks for securely building the rack.

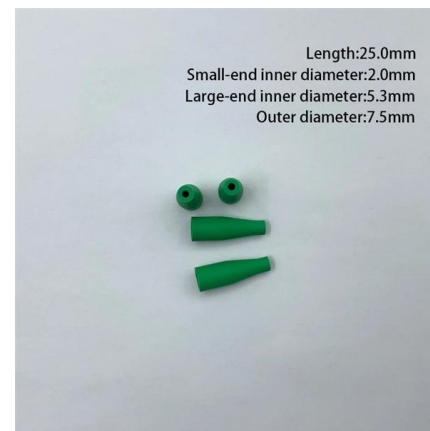
[Contact Us](#)



Server Cabinet Fabrication , Data Centers , RAS Systems

Manufacturing data center server racks, cabinets, and more requires the highest level of precision. See how our industry-leading machines can help: With the RAS

[Contact Us](#)



Optimal Ventilation and Cooling for Your Sheet Metal

Contact us to start your design. 11. Summary Here are the 10 most important things to remember about ventilation in sheet metal enclosure design:

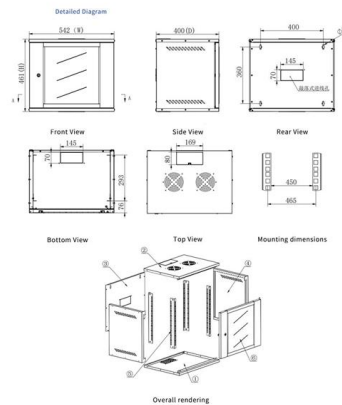
[Contact Us](#)



Basics of Sheet metal design for Mechanical design engineers

Knowledge and Skills required to Design effectively2:44 Learn the essential skills for sheet metal design from a product designer, including CAD 3D geometry, material selection, feasible operations,

[Contact Us](#)



Server Rack Cabinets

APX Enclosures specializes in the design and fabrication of custom enclosures for computer technology. Learn more about our server rack cabinet enclosures now.

[Contact Us](#)

Contact Us

For datasheets, pricing, or custom fiber access solutions, please visit:
<https://www.frindel.es>