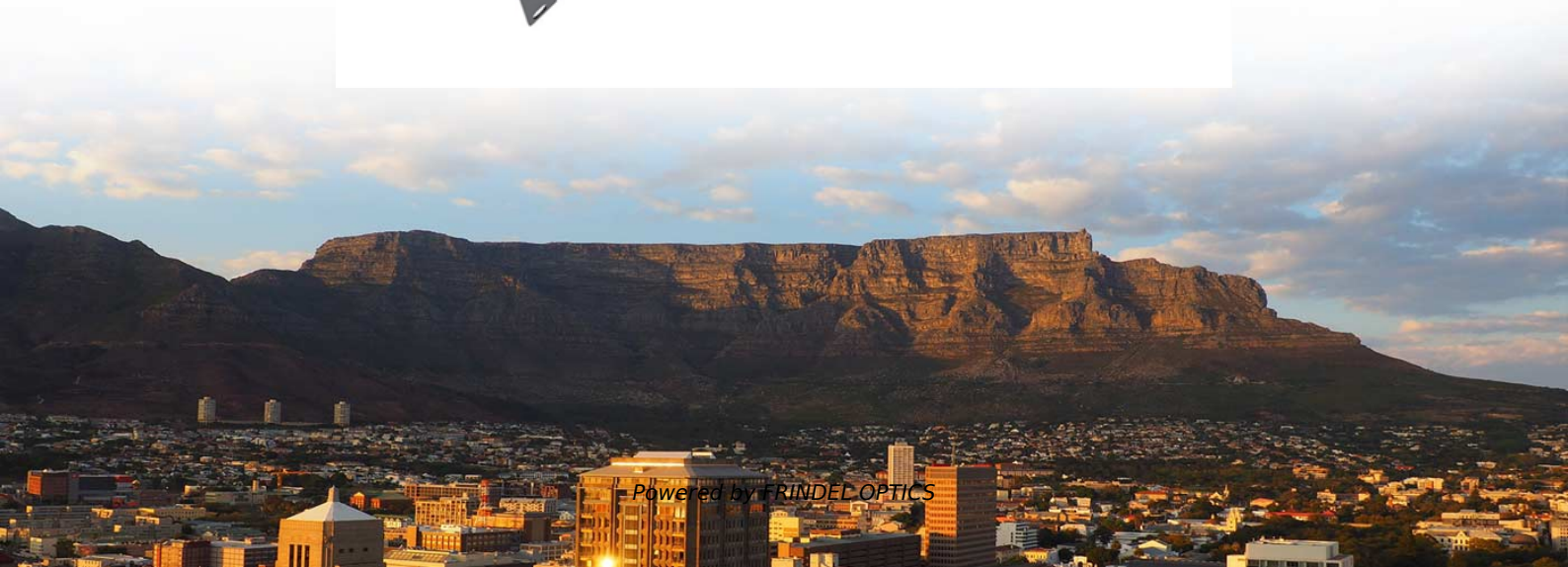
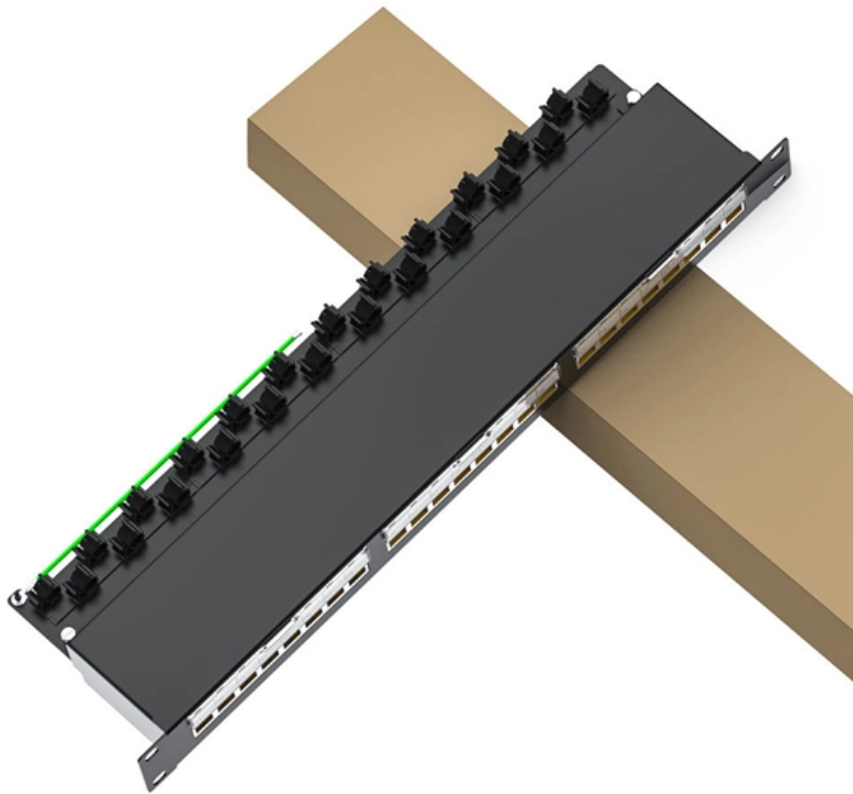


# **What is the outer diameter of a 6-core optical fiber cable in Suriname**





## Overview

---

This cable features six individual fibers, each with a core diameter of 9  $\mu\text{m}$ , designed to transmit signals over long distances with minimal attenuation. Imm (main cord) Material Stainless Steel Color Silvery White UL94 V-0 (\*Burning stops within 10 seconds on a vertical specimen, no drips of flaming particles. Specifications are correct at time of printing and subject to change or alteration. It protects all inner components from environmental damage such as heat, chemicals, and abrasion. The standard cladding diameter for most optical fibers is 125 $\mu\text{m}$ , and the standard outer protective layer diameter is 245 $\mu\text{m}$ .



## What is the outer diameter of a 6-core optical fiber cable in Suriname

---



### Indoor/Outdoor Fiber Optic Cable

Experience seamless, rapid installations with our versatile indoor/outdoor ribbon fiber cable. Ideal for high-density data centers, colocation facilities and vertical

[Contact Us](#)

### The Ultimate Fiber Optic Cable Size Reference Chart

Fiber optics come in several variations, with differences in core size, attenuation, and alignment requirements. Here's a breakdown to guide your

[Contact Us](#)



### Product Spec Sheet 002K8P-31130-A3

002K8P-31130-A3 Corning FREEDM® One interlocking armored cables are flame-retardant, indoor/outdoor cables designed for interbuilding and intrabuilding backbone installations

[Contact Us](#)

### Fiber Sizes, Lengths and Diameters

Our newest offering is fiber made without the use of lead. While all fiber products we produce are in compliance with RoHS directives, the material manufacturing process is more friendly, and the



### High-Speed Optical Fiber Price in Bangladesh , Computer Village

Check out Updated optical fiber price in BD 2026 from ?17-?30 per meter at Computer Village. Buy now high-speed fiber optic cables with warranty.

[Contact Us](#)



### Single-mode optical fiber

In fiber optics, a quadruply clad fiber is a single-mode optical fiber that has four claddings. Each cladding has a refractive index lower than that of the core.

[Contact Us](#)



### FIBRE OPTIC CABLES GENERAL SPECIFICATIONS

FIBRE OPTIC CABLES GENERAL SPECIFICATIONS \*  
All attenuation values are valid for cabled fibres  
\*\* Zero Water Peak

[Contact Us](#)



### ADSS dual double jacket sheath aramid yarn All

We are a manufacturer of (ADSS)dual double jacket sheath aramid yarn All Dielectric Self-Supporting Optical Fiber Cable 2-288 core Manufacturer. We

[Contact Us](#)



### What Is Fiber Optics? Definition from SearchNetworking

What is fiber optics? Fiber optics, or optical fiber, refers to the technology that transmits information as light pulses along a glass or plastic fiber.

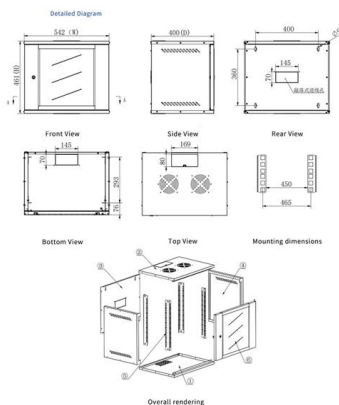
[Contact Us](#)



### What are the different types of network cables?

Compare the different types of network cabling: coaxial, fiber optic, shielded twisted pair and unshielded twisted pair.

[Contact Us](#)



### 6 Core Optical Fiber Cable

6 Core FTTH Single Mode Optical Fiber Cable - Round OD 5.8 mm + FRP + Yarn. Our 6 Core FTTH Single Mode Optical Fiber Cables are designed to meet the high demands of modern

[Contact Us](#)



## What is the Diameter of Fiber Optic Cable?

Fiber optic is generally divided into three layers: core, cladding and coating. The standard cladding diameter for most optical fibers is 125um, and the

[Contact Us](#)



## faker/internet.go at master · pioz/faker · GitHub

Random fake data and struct generator for Go. Contribute to pioz/faker development by creating an account on GitHub.

[Contact Us](#)



## zxcvbn-rs/src/frequency\_lists.rs at master

Port of Dropbox's zxcvbn password strength library for Rust - shssochiro/zxcvbn-rs

[Contact Us](#)



## Fiber Optic Cable Sizes: A Comprehensive Analysis

Fiber optic cables have an outer diameter that determines the durability of the cable and where it can be used. The most common outer diameters are highlighted in the table below.

[Contact Us](#)





### **GYTS GYTA 48 Core G652D Single Mode Stranded**

GYTA/S APL PSP Armored Stranded Loose Tube Optical Fiber Cable GYTA/S APL PSP Armored Stranded Loose Tube Optical Fiber Cable, The bending insensitive

[Contact Us](#)



### **6 Core Single Mode Fiber Optical Cable**

This cable features six individual fibers, each with a core diameter of 9  $\mu\text{m}$ , designed to transmit signals over long distances with minimal attenuation. The cladding diameter of 125  $\mu\text{m}$  ensures optimal

[Contact Us](#)

### **Fiber optic cable Catalog**

Approximate dimensions of 3x2 millimeters. Equipped with two non-metallic FRP elements to protect optical fibers. Direct connector installation possible. Has a desirable bending radius and high tensile

[Contact Us](#)



### **Fiber Optic Cables**

CommScope designs and manufactures a comprehensive line of fiber optic cables--from outside plant to indoor/outdoor and fire-rated indoor fiber cables.

[Contact Us](#)



### How to choose fiber optic pigtails?

Splicing of pigtails to each fiber in the trunk "breaks out" the multi-fiber cable into its component fibers for connection to the end equipment. High quality fiber pigtails

[Contact Us](#)



### Fiber Optic Cable Size Chart: Complete Guide

Fiber optic cable size chart with complete guide to core, cladding, and jacket dimensions, types, and specifications for networking and installation use.

[Contact Us](#)

### Wiley Online Library , Scientific research articles, journals, books

Hier sollte eine Beschreibung angezeigt werden, diese Seite lässt dies jedoch nicht zu.

[Contact Us](#)



### 24 Cores GYTS Fiber Optic Cable Stranded Steel Tape

24 Core GYTS Fiber Optic Cable is the outdoor fiber optic cable type used for duct and aerial applications. We supply single mode GYTS fiber optical cable and

[Contact Us](#)





## 6 Core Optical Fiber Cable\_Specification

Specifications are correct at time of printing and subject to change or alteration without notice.

[Contact Us](#)



## The Most Comprehensive Guide Of Optical Modules

Explore the ultimate guide to optical modules. Learn types, functions, performance metrics & how to choose the right module for your fiber network.

[Contact Us](#)

## Fiber Optic Cable & Copper Wire Assemblies , ISO 9001

LANshack offers premium fiber optic cable & copper wire assemblies. We have all the components to optimize & install your network!

[Contact Us](#)



## Contact Us

---

For datasheets, pricing, or custom fiber access solutions, please visit:  
<https://www.frindel.es>