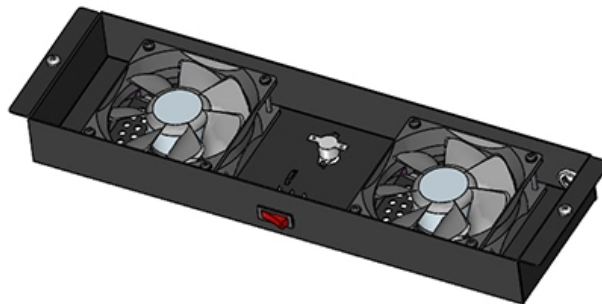


What are the types of sheaths in optical cables





Overview

The outer sheath of the optical fiber cable is divided into different material types. Keep ambient or stray light from creating signal noise (for sensor applications). This article explains the differences between LSZH, HDPE, and LDPE cable sheaths, and how to select the right option based on real deployment conditions. Whether you are designing and manufacturing a new cable or simply choosing an existing one for data, power, fiber optics, or industrial automation, the outer sheath (jacket) is much more than just a speaking cover to the eye; it is, in fact, an important job holder in mechanical protection.



What are the types of sheaths in optical cables



Fiber Optic Cable Types Explained

Our comprehensive guide to types of fiber optic cables. Learn all about the differences between single mode and multimode cables, as well as the various

[Contact Us](#)

ADSS Fiber Optic Cable: What They

Learn about ADSS (All Dielectric Self-Supporting) fiber optic cables--their central tube/layered twist structures, PE/AT sheaths, benefits for power grids, and how they outperform

[Contact Us](#)



Types of Electrical Wires and Cables

Different Types of Electrical Wires and Cables
Electrical cable and wires are considered as a same thing. In fact they are quite different. A wire is made of a

[Contact Us](#)

6 Fiber Cable Outer Sheath Materials and How To Choose?

Cable outer sheath is mainly used to protect the optical fibers inside fiber cable. Except the basic protection requirement, special features are also required.



6 Fiber Cable Outer Sheath Materials and How To

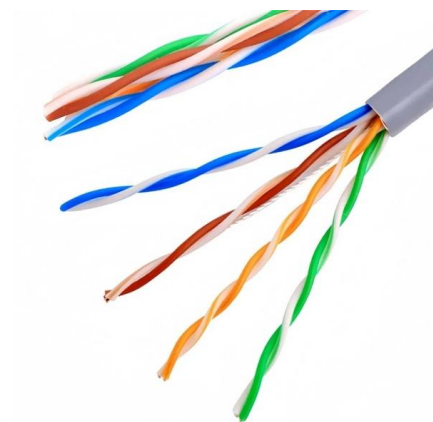
Indoor fiber optic cables can be sheathed with PVC, and outdoor fiber optic cables can be sheathed with PE. When flame-retardant is required, LSZH,

[Contact Us](#)

Cost of Fiber Optic Cable: Pricing Guide (2026)

Discover the cost of fiber optic cable in this pricing guide. Learn material prices, installation factors, and what impacts total project costs overall.

[Contact Us](#)



All Kinds of Fiber Optic Patch Cords - SC, LC, FC, ST

Learn about SC, LC, FC, and ST fiber optic patch cords, their uses in FTTH, telecom, and data centers, and how to choose the right type.

[Contact Us](#)





What Is Fiber Optic Cable Splicing? A Beginner's Guide

What is fiber optic cable splicing? Fiber optic cable splicing involves joining two fiber optic cables together. Another method of connecting optical

[Contact Us](#)



What Optical Cables Are Used for 5G? Your Complete

The exact types of optical cables used in real 5G deployments How they fit into the 5G network architecture What to consider when procuring fiber for

[Contact Us](#)

Cable Sheathing Explained: Materials, Types & Uses

Discover what cable sheathing is, how it works, and its importance in protecting electrical systems. Learn about materials, types, and applications.

[Contact Us](#)



Optical Fibre Cable Manufacturing Unit Cost

The cost of setting up and operating an optical fiber cable manufacturing unit can vary significantly based on several factors. Understanding

[Contact Us](#)



How To Choose Fiber Cable Outer Sheath Materials?

Choosing the appropriate outer sheath material for fiber optic cables is crucial for ensuring the cable's durability, protection, and performance under specific environmental conditions.

[Contact Us](#)



ADSS Fiber Optic Cable, Price And Specifications

There are two types of sheaths for ADSS cable. When the line voltage is lower than 110KV, choose PE sheath. When the line voltage is higher than 110KV, choose

[Contact Us](#)



such/ignore.txt at main · yeerma/such · GitHub

aasdadasda. Contribute to yeerma/such development by creating an account on GitHub.

[Contact Us](#)



Why Cable Jacketing Matters: Material Types, Performance, and

A comprehensive guide to cable jacketing, covering sheath functions, material types (PVC, XLPE, PE, LSZH, Rubber, TPU), performance differences, and how to select the right sheath

[Contact Us](#)



Fiber optic cable Market Size, Share &



Trends, 2033

Based on cable type, the non-armored fiber optic cables segment dominated the market with 45.1% share in 2024, supported by their cost-effectiveness and wide usage in telecom

[Contact Us](#)



Sheathing Types

Sheathing Types Sheathing has three core values for use in fiber optic design: Protect the fiber. Keep ambient or stray light from creating signal noise (for sensor applications). Improve component

[Contact Us](#)

18 Cable Sheath Materials Explained

We will look into the 18 common and specialized sheath materials in this section, exploring their features, such as advantages, disadvantages, and

[Contact Us](#)



24 Core Outdoor Armored Double Jacket Fiber Optic Cable

24 Core Fiber Optic Cable GYTY53 Outdoor Armored Double Jacket Waterproof Gel Filled loose tube direct burialGYTY53 fiber optic cable is the type of fiber optic

[Contact Us](#)



Optical Cable Sheath Material OFNP, OFNR and LSZH Analysis Report

Communication shafts and shafts: OFNR sheaths are used for vertical wiring in internal shafts with large spans; OFNP sheaths should be used for ventilation ducts and return air ducts on

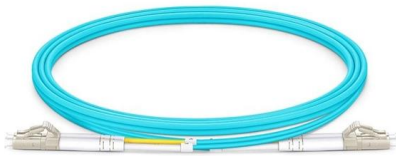
[Contact Us](#)



Fiber Optic Internet Cables: Benefits, Types, and the

Understanding fiber optics isn't just for tech professionals anymore. If you're choosing an internet plan for your home or office, having a solid grasp of

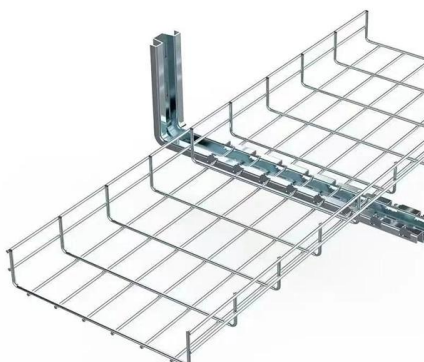
[Contact Us](#)



72 Core Fiber Optic Cable GYTY53 Outdoor Armored

72 Core Fiber Optic Cable GYTY53 Outdoor Armored Double Jacket Waterproof Gel Filled loose tube direct burial is the type of fiber optic cable used to transmit data

[Contact Us](#)



Types of Fiber Optic Cables and Strand Counts

Fiber optic cables are used to transmit data and audio signals using light. They come in different types, each designed for specific applications and distances. This guide will help you identify the most

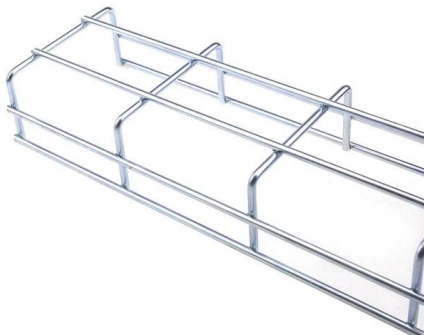
[Contact Us](#)



6 Fiber Cable Outer Sheath Materials and How To

Choose Fiber Cable Outer Sheath Application Environment Indoor fiber optic cables can be sheathed with PVC, and outdoor fiber optic cables can

[Contact Us](#)



Cable Sheath Types Explained: LSZH Vs HDPE Vs LDPE

Understand the differences between LSZH, HDPE, and LDPE cable sheaths and where each is used in FTTH.

[Contact Us](#)

Fiber optic cable outer sheath material

Optical fiber cables are generally composed of optical fiber cores, cladding, coatings, reinforcing elements, and outer sheaths. The outer sheaths are used as the protective layer of the

[Contact Us](#)



Cable Jacket Material: How to Choose

Both network cables and fiber optic cables have different cable jackets to choose from. Each type of sheath has different advantages. Below, we will

[Contact Us](#)



Fiber Optic Cable Types & What They Are Used For

Transmission Efficiency: These cables are superior to traditional copper cables as they can transmit data over longer distances with higher

[Contact Us](#)



A Guide to Cable Sheaths and Jacket Types

This article explains the difference between the compounds used

[Contact Us](#)

Contact Us

For datasheets, pricing, or custom fiber access solutions, please visit:
<https://www.frindel.es>