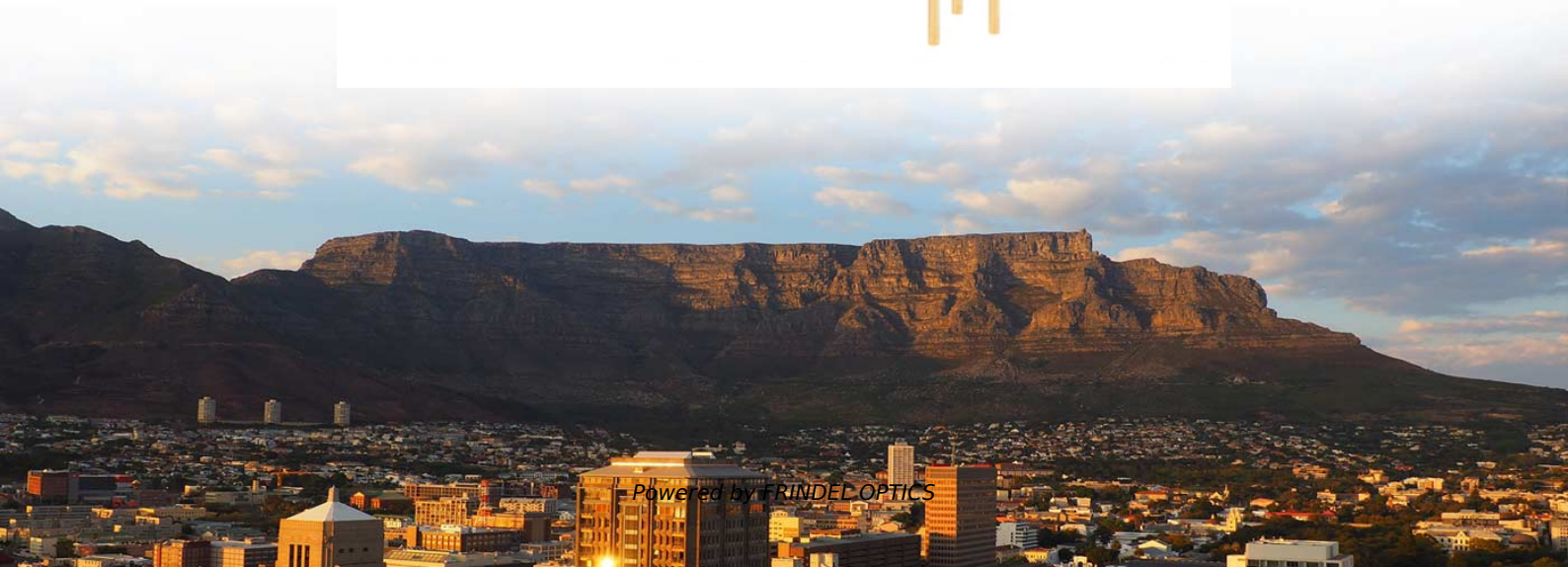
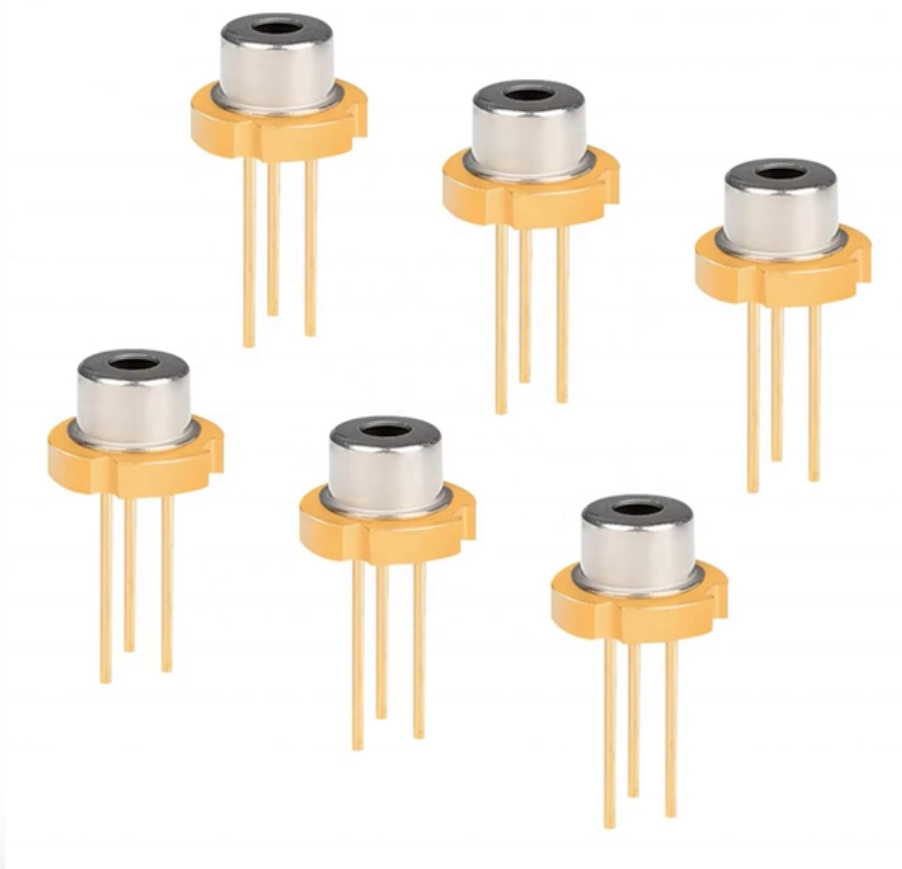


What are the types of FC fiber optic patch cords available in Mexico





What are the types of FC fiber optic patch cords available in Mexico



FC Patchcord

The connectors are typically either SC, LC, ST, or FC types. Fiber optic patch cords are available in various lengths and are commonly used in data centers,

[Contact Us](#)

Fiber-optic patch cord

A fiber-optic patch cord is a fiber-optic cable capped at each end with connectors that allow it to be rapidly and conveniently connected to telecommunication equipment.

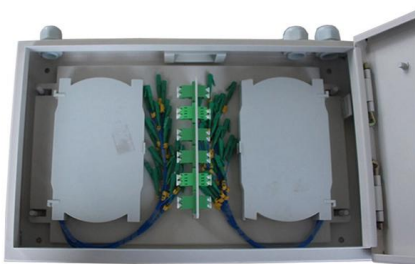
[Contact Us](#)



Fiber Optic Patch Cords Guide , Types, Connectors

Explore fiber optic patch cords for telecom, data centers, and FTTH. From LC/SC to MPO/MTP and armored jumpers, ZION Communication offers

[Contact Us](#)



How Many Types of Patch Cords Are There

In this comprehensive guide, you'll discover how many types of patch cords you need to know about. We'll walk you through the basics and share with

[Contact Us](#)



Fiber Optic Patch Cords: A Complete Guide to Types,

Fiber optic patch cords come in various types to suit different applications, At CloudTop Cable, Whether you need single-mode or multimode, simplex or duplex,

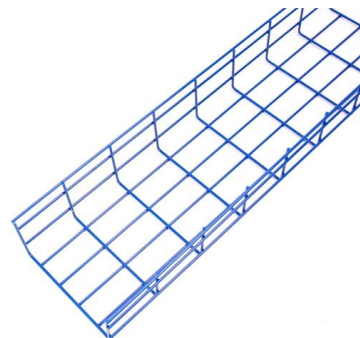
[Contact Us](#)



Fiber Optic Patch Cable Connector Types

Selecting the best fiber optic patch cable connector type is all about making the right choice for your application. Click here for a helpful

[Contact Us](#)



Ultimate Guide to Fiber-Optic Patch Cables: Types, Selection, and

Learn about fiber optic patch cables, their types, construction, applications, and how to choose the right one for your network needs.

[Contact Us](#)



A deep-dive into the technology of fiber patch cords. Learn about Single-mode vs. Multimode, LC/SC/MPO connectors, UPC/APC polish types, and critical selection criteria for high

[Contact Us](#)



Fiber Optic Cable Types Explained: Choosing the Right

In high-speed network environments--such as data centers, enterprise LANs, and telecom backbones--fiber optic cables are critical in

[Contact Us](#)

Fiber Patch Cables Explained 2025: Types, Connectors,

Choosing the wrong type of patch cable can cause signal loss, downtime, or higher costs. This guide explains what fiber patch cables are, their

[Contact Us](#)



Fiber Optic Patch Cables: The Complete 2026 Buyer's Guide

Confused by LC, SC, MPO, UPC, and APC? This complete fiber optic patch cable guide covers connector types, single-mode vs multimode, insertion loss specs, and how to choose the right

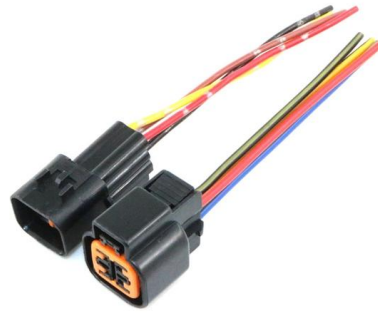
[Contact Us](#)



Fiber Optic Patch Cord Types

Learn about fiber optic patch cord types--MPO, LC, SC, FC, ST--plus key features and uses to optimize your network setup. A detailed guide

[Contact Us](#)



Fiber Patch Cord Types

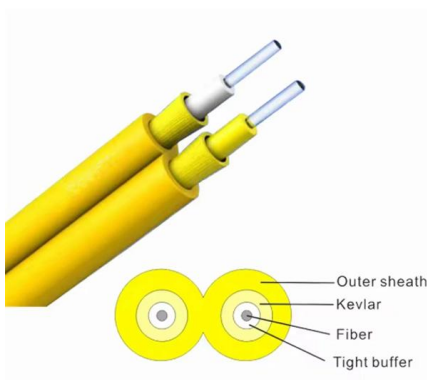
Discover the complete guide to fiber patch cord types, including single-mode and multimode, LC/SC/MPO connectors, and ruggedized cables for

[Contact Us](#)

SOPTO

Fiber optic patch cords, also known as fiber optic patch cables or fiber jumpers, are indispensable components in modern optical networks. They act as the critical link for

[Contact Us](#)



What Are Fiber Patch Cords and Their Role in Networking

Fiber patch cords, or fiber patch cable are optical cables with connectors on both ends, designed to link devices in a network and transmit

[Contact Us](#)



Fiber Patch Cords: Types and How to Choose the Right

This comprehensive guide breaks down everything you need to know about fiber patch cords: from their core definition and key types to expert selection criteria

[Contact Us](#)



2 core multimode fiber optic cable

The realm of data transmission is revolutionized by the 2 core multimode fiber optic cable, a pivotal component in modern communication infrastructure. This category of cable is designed to facilitate

[Contact Us](#)

Understanding Fiber Patch Cord Types

The right fiber patch cord not only ensures optimal performance but also minimizes signal loss, reduces downtime, and supports future scalability. In this comprehensive guide, we will explore different fiber



[Contact Us](#)



Common Types of Fiber Patch Cords and How to Choose the Right

Introduction Thanks to the fiber optic technology, we are running at a faster speed and are connected through advanced technology. Seamless and quick communication among users is

[Contact Us](#)



Types of Fiber Patch Cable

DIN fiber optic patch cord - Although the structural dimensions of the connector pin and coupling sleeve of the DIN fiber optic patch cord are the same as those of the FC fiber optic patch

[Contact Us](#)



Crackhead/pass.txt at master · moimikey/Crackhead ·

How to create a web form cracker in under 15 minutes. - moimikey/Crackhead

[Contact Us](#)

Types of fiber optic patch cords

Fiber optic patch cords can be divided into MPO/MTP, LC, SC, FC, ST and other types according to the connector type. Although they share similar

[Contact Us](#)



The Types of Fiber Patch Cords

Fiber patch cords, also known as fiber optic connectors, are patch cords used for equipment-to-fiber cabling links. They are commonly used in fiber optic

[Contact Us](#)



NESGEN-RS E2K To E2K Fiber Optic Patch Cord

High-quality Optic Fiber Patch Cords manufactured for reliable and high-speed data transmission applications. Available in all connector combinations including LC, SC, ST, FC and customized

[Contact Us](#)



Fiber Optic Patch Cord Types

This post provides an introduction to fiber optic patch cord types, and several popular Gcabling optical patch cables.

[Contact Us](#)

Understanding Fiber Patch Cord Types

In this comprehensive guide, we will explore different fiber patch cord types, their features, applications, and how to choose the right one for your project.

[Contact Us](#)



All Kinds of Fiber Optic Patch Cords - SC, LC, FC, ST

Learn about SC, LC, FC, and ST fiber optic patch cords, their uses in FTTH, telecom, and data centers, and how to choose the right type.

[Contact Us](#)



Fiber Optic Patch Cord Types

There are different types of fiber optic patch cord according to different standards. In this post, Gcabling will briefly introduce several mainstream fiber optic patch cables types in the market.

[Contact Us](#)



Contact Us

For datasheets, pricing, or custom fiber access solutions, please visit:
<https://www.frindel.es>