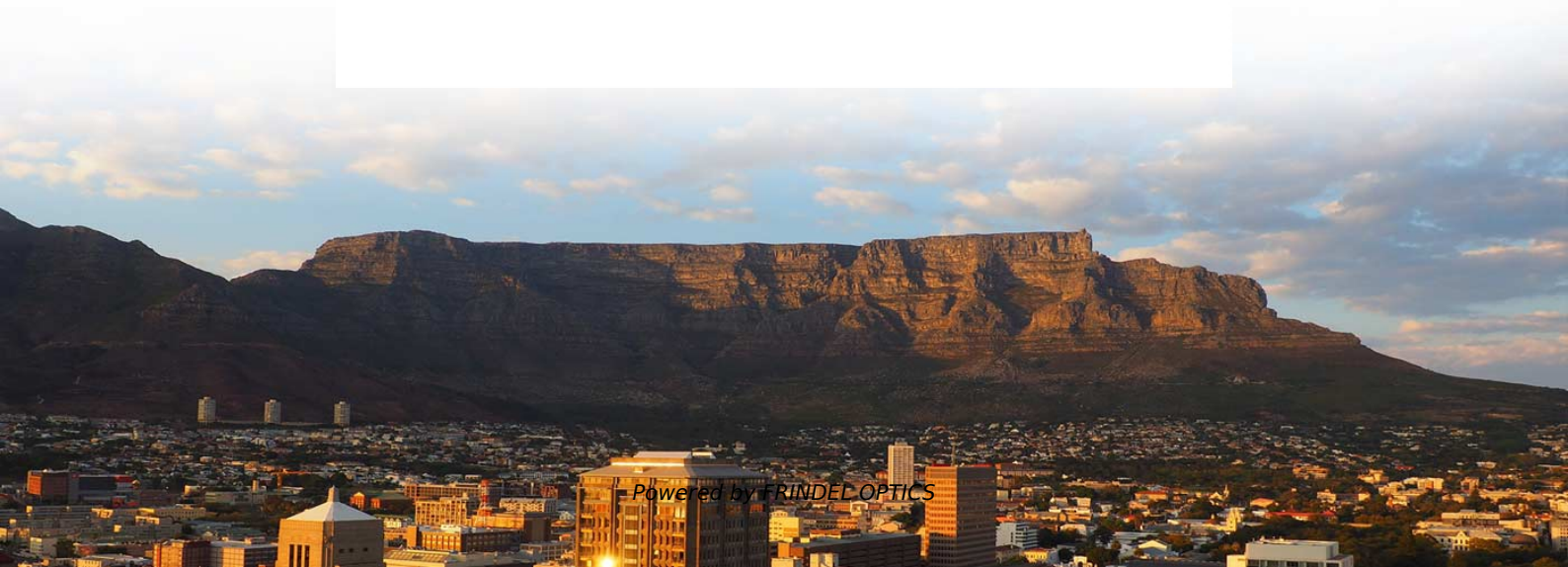
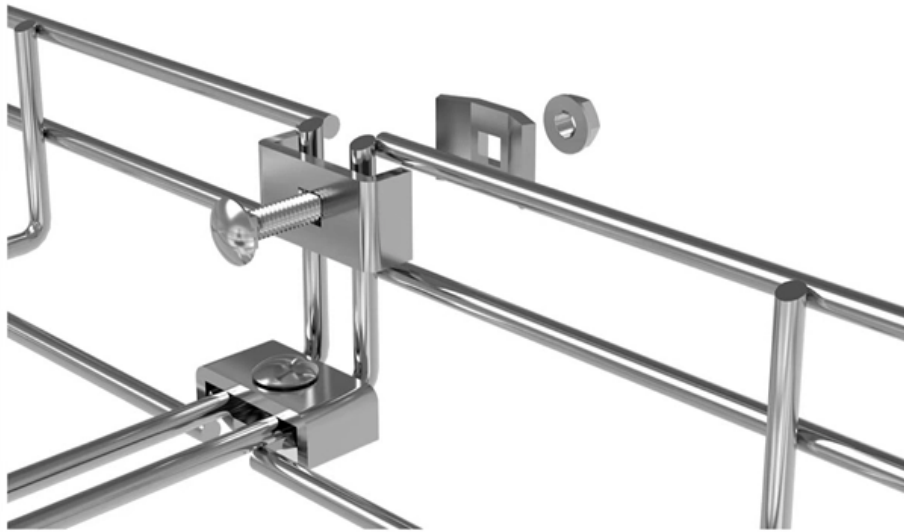


What are the functions of outdoor optical distribution boxes





Overview

An outdoor termination box (often called a fiber optic distribution box or outdoor terminal box) is an enclosed enclosure used in outdoor environments. Although all three are related to fiber connection and management, their installation locations, functional roles, and positions within the network architecture are fundamentally different. Indoor and outdoor fiber boxes serve different roles in FTTH, ODN, and enterprise network distribution. By understanding the components, types, and differences between various fiber management devices, businesses can make informed decisions when deploying and maintaining their fiber.



What are the functions of outdoor optical distribution boxes



ODO (Optical Distribution Outlet)

To connect outdoor or indoor optical distribution cables to drop or floor-distributions optical cords assuring splice management, cable anchoring, optical fibre over

[Contact Us](#)

What to Know About Outdoor Fiber Distribution Units

Outdoor fiber distribution boxes are designed to endure harsh environmental conditions while keeping your Fiber Optic Cables protected and your network

[Contact Us](#)



What is Fiber Termination Box

Its primary function is to efficiently manage and terminate fiber optic cables, connecting the cable's core to a pigtail. This guide will provide an in-depth

[Contact Us](#)

Outdoor Fiber Distribution Units - Fiber Savvy

Fiber Savvy offers an excellent solution for all of your outdoor fiber distribution needs. Our Fiber Optic Cable Distribution Boxes are specially designed to house and protect the various amounts of simplex



24 Port Outdoor Fiber Optic Distribution Box , AZE

AZE's Outdoor Fiber Optic Distribution Box is applicable in FTTH project and suitable for building's outer walls application; They can distribute cables after installing

[Contact Us](#)



Ultimate Guide to Fiber Optic Distribution Box: Types

Fiber optic technology has revolutionized the telecommunications industry, enabling faster and more reliable data transmission. One essential

[Contact Us](#)



Fiber Optic "Big Three": Termination Box, Distribution

Author: Hayden Introduction In FTTH, FTTB, and other fiber access networks, terms such as Fiber Optic Termination Box, Fiber Distribution Box

[Contact Us](#)





Outdoor Rated Fiber Distribution Boxes FDU's - Primus Cable

Outdoor Fiber Distribution Boxes With the changing seasons presenting new challenges for your fiber optic network to overcome, Primus Cable offers Outdoor Fiber Distribution Boxes that are designed

[Contact Us](#)



Introduction to the Function and Specifications of the Optical Fiber

It is suitable for the protective connection of optical cables and distribution pigtails and is also suitable for the use of optical fiber termination points in optical fiber access networks.

[Contact Us](#)



Outdoor Termination Box (OTB) Complete Guide: How to Choose the

Looking for a high-quality Outdoor Termination Box? This article provides an in-depth analysis of the role, key functions (IP65/IP68 protection rating), application scenarios, and procurement guidelines of

[Contact Us](#)



Optical Cable Distribution Box in the Real World: 5 Uses You'll

Optical cable distribution boxes are essential components in modern telecommunications infrastructure. They serve as hubs where fiber optic cables are connected, managed, and distributed

[Contact Us](#)





How to Choose the Right Fiber Distribution Box for

A fiber distribution box (FDB) is a passive enclosure that provides secure splicing, termination, and distribution of optical fibers. It typically contains

[Contact Us](#)



An In-Depth Exploration of Fiber Optic Distribution

Built to withstand harsh environmental conditions, outdoor distribution boxes protect fibers in external installations. They are commonly utilized in fiber-to-the-home

[Contact Us](#)

Optical Distribution Frame (ODF): What It Is, How It Works, and Why It

An Optical Distribution Frame (ODF), also known as a fiber optic patch panel, is a specialized hardware unit that centralizes fiber optic cable connections. Acting as a "traffic hub" for light signals, an ODF:

[Contact Us](#)



Understanding Fiber Optic Junction Boxes: A Comprehensive

8. Conclusion In conclusion, fiber optic junction boxes are indispensable components in modern communication networks.

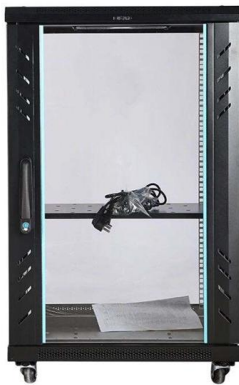
[Contact Us](#)



What Are Distribution Boxes and Their Functions in

Distribution boxes provide essential protection for fiber optic cables against environmental factors. The IP68 waterproof rating ensures that the

[Contact Us](#)



Fiber Optic Distribution Boxes: The Key to Seamless

.Environmental Factors: Outdoor installations are vulnerable to temperature changes and moisture, necessitating proper sealing and weather-resistant materials

[Contact Us](#)

The Future of Fiber Optic Outdoor Terminal Distribution

Fiber optic outdoor terminal distribution boxes play a significant role in telecommunication networks, particularly in FTTx deployments. These boxes are

[Contact Us](#)



The Role of Fiber Optic Distribution Boxes in Optical Networks

This article will provide an overview of fiber distribution boxes, their key functions, different types, and role in fiber optic networks. IntroductionA fiber optic distribution box is essentially an

[Contact Us](#)



The Types of fiber Optical Terminal Boxes and How to

For outdoor use, a box that is waterproof and dustproof is necessary. For indoor use, a box that is fire-retardant and made of sturdy material may be

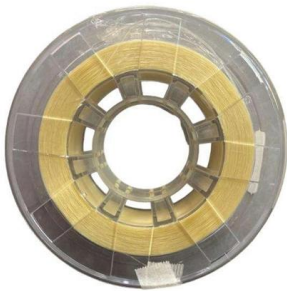
[Contact Us](#)



Optical Distribution Boxes , Alpha Middle East Group

12 Fiber Optical Distribution Box Compact outdoor box designed for FTTH networks in multi-dwelling units. Material: ABS+PC Ingress Protection: IP55 Capable to

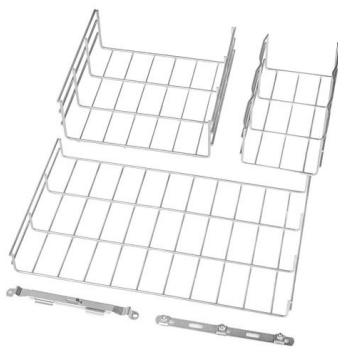
[Contact Us](#)



Fibre Termination Boxes outdoor , Melbye

Fibre Termination Boxes outdoor Termination boxes for fiber optic installations in outdoor environments. Designed for all types of cables and microducts. Wall

[Contact Us](#)



The Role of FTTH Outdoor Distribution Boxes in Modern Fiber Optic

These boxes are designed to accommodate and organize multiple fiber optic connections, facilitating efficient distribution of the network signal to individual premises. Inside the

[Contact Us](#)



Basics of Fiber Optic Distribution Box

Fiber Optic Distribution Box (FDB) is a crucial component in a fiber optic network. Its primary function is to provide safe and reliable connection,

[Contact Us](#)



The Essential Role of the Fiber Distribution Box in

Key Functions and Benefits: Organization and Management: One of the primary functions of a fiber distribution box is to organize and manage the complex web of

[Contact Us](#)

Indoor vs Outdoor Fiber Box Technical Comparison

Indoor and outdoor fiber boxes serve different roles in FTTH, ODN, and enterprise network distribution. While both provide termination, splicing, and cable routing functions, their structural

[Contact Us](#)



Fiber Optic "Big Three": Termination Box, Distribution

While a fiber optic termination box serves a single user or only a limited number of users (less than five), a Fiber Distribution Box is designed to provide

[Contact Us](#)



Outdoor Termination Box (OTB) Complete Guide: How to Choose the

An outdoor termination box (often called a fiber optic distribution box or outdoor terminal box) is an enclosed enclosure used in outdoor environments. Its main function is to terminate, protect, connect,

[Contact Us](#)



4 Port Indoor / Outdoor fiber optic Distribution Box FTTX

Wall box for use outside single family homes and townhouses. The box serves as the separator for indoor and outdoor cabling in the FTTH-network.
Description

[Contact Us](#)



6 Must-Know Insights on Fiber Distribution Box

What is Fiber Distribution Box A Fiber Distribution Box (FDB) is a component used in fiber optic networks for power distribution and terminal

[Contact Us](#)



Contact Us

For datasheets, pricing, or custom fiber access solutions, please visit:
<https://www.frindel.es>