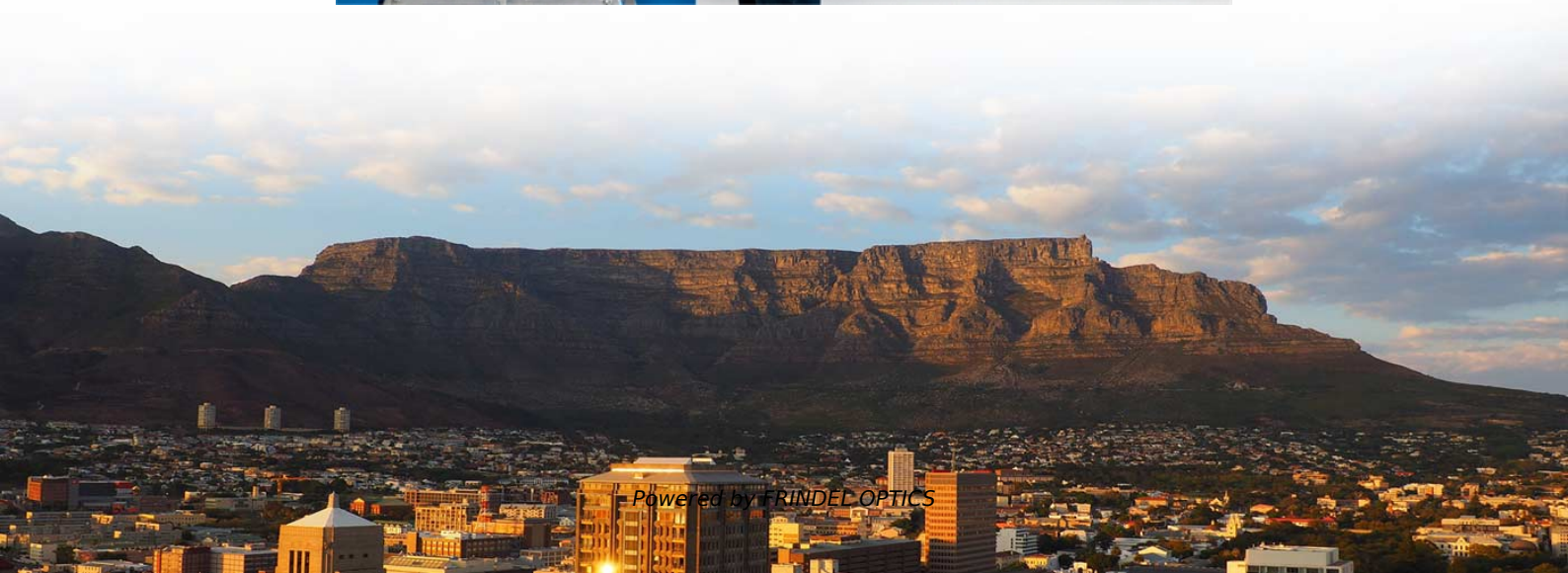




**FRINDEL OPTICS**

# **Two-circuit distribution box surface-mounted indoor**





## Overview

---

The surface-mounted distribution box is ideal as a sub-distribution surface-mounted for optimal energy distribution in various applications. Various versions of distribution boxes, a large selection of materials, voltage ranges, rated currents and IP protection types / protection classes for indoor and outdoor use, as well as a wide range of accessories and tools such as WAGO plug-in terminals, crimping tools, cable ties, wire end. Our steel din rail box and din rail power distribution box are IP65 engineering grade waterproof, effectively blocking splashing water, rain, dust, snow, oil, UV rays and more Daily Maintenance: Convenient operation and maintenance, no need to cut the thread, our circuit breaker box power. Fuse boxes are an important part of the house electrics, especially in modern architecture and today's Smart Home functions, which is why we offer the DISBOX-T series, a surface-mounted distribution box that meets the highest design requirements.



## Two-circuit distribution box surface-mounted indoor

---



### Surface Mounted Electrical Distribution Box 8-10 Ways,

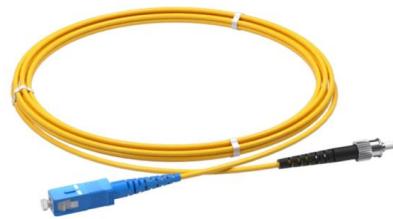
A premium 8-10 way surface-mounted electrical distribution box for indoor use. Its fire-retardant, shock-resistant design ensures safe and organized power distribution.

[Contact Us](#)

### RoadEu

Surface-mounted distribution box can be successfully used as a surface-mounted subdistribution. Thanks to its easy installation and the protection class IP40, it is particularly suitable for indoor use,

[Contact Us](#)



### Configure surface-mounted distribution box now

Configure fuse and distribution box surface-mounted individually. In addition to the high quality, the modern designs and the numerous application possibilities of our

[Contact Us](#)

### Surface-mounted junction boxes and accessories

Junction boxes for dry and wet spaces. The junction boxes are supplemented by a wide range of optional equipment, making installation quick and easy.



**Quality MCB Distribution Box & Plastic MCB Box factory**

China leading provider of MCB Distribution Box and Plastic MCB Box, Chengdu Youlike Electric Co., Ltd. is Plastic MCB Box factory.

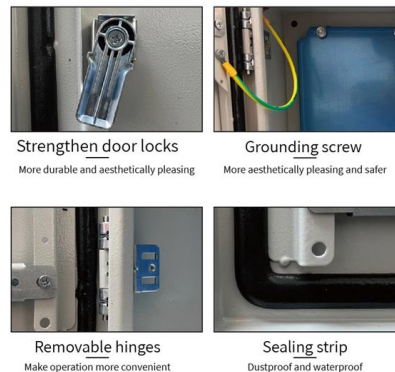
[Contact Us](#)



**Outdoor Electrical Distribution Box Specifications: NEC**

Complete specification guide for outdoor electrical distribution boxes covering NEC Article 312 requirements, NEMA ratings, sizing calculations, and

[Contact Us](#)



**Strengthen door locks**  
More durable and aesthetically pleasing

**Grounding screw**  
More aesthetically pleasing and safer

**Removable hinges**  
Make operation more convenient

**Sealing strip**  
Dustproof and waterproof

**Arelos Surface electrical Distribution Boxes , Solera**

Discover Solera's Arelos surface-mounted distribution boxes, available from 2 to 56 modules, with smoked door options and durable IP40 and IK08 design.

[Contact Us](#)

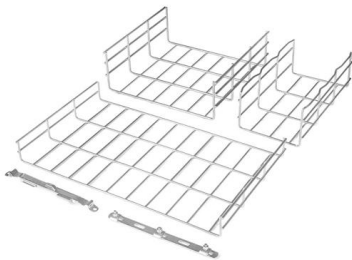




### **Clopal Distribution Box , 2 to 4 Ways , Surface Mounted , Circuit**

Durable enclosure that protects internal components from heat and impact. Perfect for solar inverter and PV panel integration. Designed for indoor environments -- safe and clean appearance. Suitable for

[Contact Us](#)



### **Electrical distribution box home lighting box 20-22 ways surface**

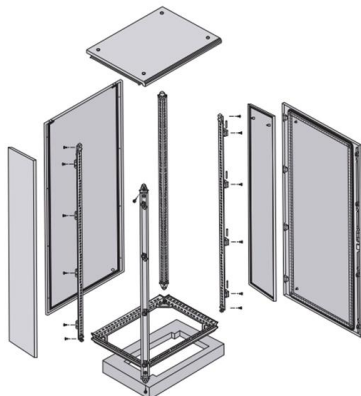
Product Name: Distribution box Product Type: 22-24 Ways Product color: Elegant white Dimensions: 19.5\*18\*7 cm Scope: a variety of family style Product quality: no deformation, no

[Contact Us](#)

### **Electrical distribution box home lighting box 2-4 ways**

Product Name: Distribution box Product Type: 2-4 Ways Product color: Elegant white Dimensions: 17\*14\*7 cm Scope: a variety of family style Product quality: no

[Contact Us](#)



### **Surface**

Get free shipping on qualified Surface Breaker Boxes products or Buy Online Pick Up in Store today in the Electrical Department.

[Contact Us](#)

### **Amazon .uk: Din Rail Enclosure 2 Module**



DOITOOOL 2 Way Distribution Protection Box - IP65 Waterproof Electrical Enclosure - Surface Mounted DIN Rail Circuit Breaker Box with Transparent Cover for Outdoor Garage RV Power Supply

[Contact Us](#)



### Square D Homeline 100 Amp 6-Space 12-Circuit Indoor

Use this Square D Homeline Indoor Surface Mount Main Lug Load Center with Cover to distribute electricity supplied by the utility throughout your home.

[Contact Us](#)



### Leviton Surface Mount Backbox, Dual Gang, 1.89",

Leviton QuickPort housings, such as wall plates, MOS housings and modular furniture faceplates, can be configured with a custom combination of QuickPort

[Contact Us](#)



### Surface Mounted Electrical Distribution Box 2-4 Ways,

A premium 2-4 way surface-mounted electrical distribution box for indoor use. Its fire-retardant, shock-resistant design ensures safe and organized power distribution.

[Contact Us](#)





### **Homeline 200 Amp 40-Space 80-Circuit Panel w/ 3-20**

Product Details About This Product The Square D by Schneider Electric Homeline Value Pack 200 Amp 40-Space 80-Circuit Indoor Convertible Main Breaker Load

[Contact Us](#)



### **Lwuey 2 Way Breaker Box, Din Rail Box MCB**

Our 2 din rail outdoor distribution junction box and circuit breaker box distribution

[Contact Us](#)

### **5 Types of Electrical Boxes**

Learn about the types of electrical boxes you can use for your home wiring project. From junction boxes to work boxes, we'll help you choose the electrical box that fits your needs.

[Contact Us](#)



### **AC DC Wall Surface Mounted 2-18ways Electrical**

AC DC Wall Surface Mounted 2-18ways Electrical Circuit Breaker Light Power Distribution Box Customized, Find Details and Price about Distribution Box Metal

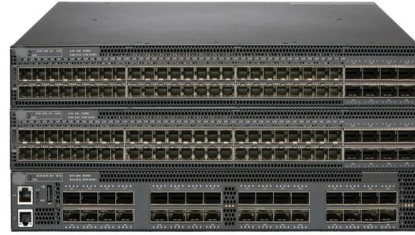
[Contact Us](#)



## 2-Gang 1.89 in. Box Depth Surface Mount Back Box,

Product Details About This Product Single- and dual-gang back boxes are used for surface-mount installation in hard-wall or open-office environments. Compatible

[Contact Us](#)



## DISBOX-T Surface-mounted distributor IP40 , Boxexperts

The surface-mounted distribution boxes of the DISBOX-T series can optionally be supplied with a transparent plastic door made of PC or a white door made of ABS. The transparent door is slightly

[Contact Us](#)



## 2-Way Distribution Protection Box, IP66 Waterproof

About this item Transparent Cover: This 2-way electric panel DIN distribution box provides safety protection for your wall circuit, the surface is a transparent gray

[Contact Us](#)



## Surface mounted distribution box

Distribution box, surface mount, smoke door, N/PE rail 1x4 modul, IP40, (HxWxD=200x112x92mm)

[Contact Us](#)



## Surface mounted distribution box, IP 65 -



### Distribution box

Distribution box, surface mount, transparent door, N/PE rail 1x4 mod, HxWxD=210.3x142.8x99.5mm, IP65,1000 VAC, 1500 VDC

[Contact Us](#)



AOC  
QSFP28 to 4\*SFP28  
100G  
OM3/OM4



### JIZZU DIN Rail Enclosure Box 5 Module

JIZZU DIN Rail Enclosure Box 5 Module - Consumer Unit Box, Surface-mounted Circuit Breaker Distribution Boxes, Fuse Box Damp-proof with Assembly Tool,

[Contact Us](#)

### DISBOX-T Surface-mounted distributor IP40 , Boxexperts

Fuse boxes are an important part of the house electrics, especially in modern architecture and today's Smart Home functions, which is why we offer the DISBOX-T series, a surface-mounted distribution



[Contact Us](#)

Waterproof and dustproof, reliable and safe

The outer classic sink design allows the sealing ring of the cabinet and door to be seamlessly compressed without leaving a trace of gaps



### Distribution Boxes Archives

Electrical Distribution Box , Home Lighting Box , 2 & 8 Ways , Surface Mounted , Indoor Use 0 Rs 450.00 - Rs 1,060.00 -10% New

[Contact Us](#)



## Contact Us

---

For datasheets, pricing, or custom fiber access solutions, please visit:  
<https://www.frindel.es>