

# **Transmitter and receiver optical modules**





## Transmitter and receiver optical modules

---



### Monolithically integrated 112 Gbps PAM4 optical transmitter and receiver

We demonstrate a transmitter and receiver in a silicon photonics platform for O-band optical communication that monolithically incorporates a modulator driver, traveling-wave Mach

[Contact Us](#)

### 1.6T OSFP LPO 2×DR4 OP13LI8-005D Rev2

3:RINxxOMA, with "xx" referring to the value for Optical return loss tolerance. 4:The receiver shall be able to tolerate, without damage, continuous exposure to an optical input signal having this average

[Contact Us](#)



### 4 Channel 433MHz RF Transmitter and Receiver Circuit

Let's build a 433MHz RF transmitter and receiver circuit to control 4 LEDs wirelessly. We will use STX882 with HT12E and SRX882 with HT12D.

[Contact Us](#)

## The Most Comprehensive Guide Of Optical Modules

Explore the ultimate guide to optical modules. Learn types, functions, performance metrics & how to choose the right module for your fiber network.



### **Over 800G optical transceiver shipments to soar 2.6x by 2026**

In addition to laser transmitters, optical modules need high-speed photodiodes (PDs) to receive signals. Leading vendors like Coherent, MACOM, Broadcom, and Lumentum are releasing

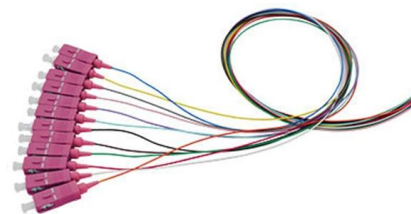
[Contact Us](#)



### **Transmitter vs Receiver vs Transceiver: Clear Differences , WOLON**

Understanding the roles of the transmitter, receiver, and transceiver is essential for anyone specifying or troubleshooting modern pluoostas -optic or electronic networks. This article gives a focused, technical

[Contact Us](#)



### **Optical Transceivers: Technical and IP Perspectives**

An optical transceiver module is an integrated circuit (IC) that can transmit and receive data in both directions independently. The optical transceiver module combines the transmitter and

[Contact Us](#)





### Optical Module Working Principle , SFP Transceiver Technical Guide

To grasp how an SFP optical module operates, it's first essential to understand its internal architecture. As illustrated in typical SFP internal structure diagrams, the module's core components include an

[Contact Us](#)



### Transmitter vs Receiver vs Transceiver: Clear Differences , WOLON

Transmitter: one-way (send only). Receiver: one-way (receive only). Transceiver: bi-directional support in the sense that a single physical module handles both transmit and receive paths (though each

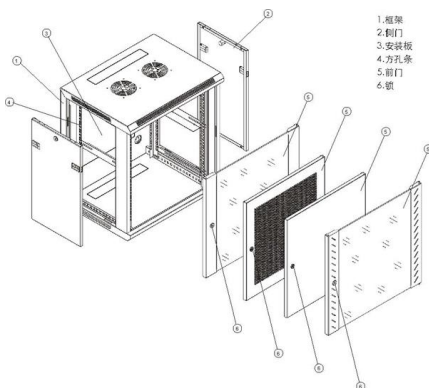
[Contact Us](#)

### How 433MHz RF Tx-Rx Modules Work & Interface with Arduino UNO

Because, In this tutorial, we are going to interface "433MHz RF Tx-Rx Modules with Arduino UNO". To understand this, take the example of radio and TV channels. TV channels, radios, etc use the RF



[Contact Us](#)



### ir receiver transmitter wholesalers and ir receiver transmitter traders

List of wholesalers, traders for ir receiver transmitter, 18061 ir receiver transmitter manufacturers & ir receiver transmitter suppliers from China.

[Contact Us](#)

### Learn About Optical Transceiver Modules in One Minute



The optical transceiver module works at the physical layer of the OSI model and is one of the key components in the optical fiber communication

[Contact Us](#)



### Understanding Optical Modules: Types and

Explore the essential principles and types of optical modules for fiber optic communication systems.

[Contact Us](#)

### infrared transmitter receiver wholesalers and infrared transmitter

List of wholesalers, traders for infrared transmitter receiver, 18511 infrared transmitter receiver manufacturers & infrared transmitter receiver suppliers from China.

[Contact Us](#)



### Emcore: MW-Fiber-Optic-Transmitter Serie 5203TVG-S5-1306-SA-66

MW-Fiber-Optic-Transmitter from Emcore 5203TVG-S5-1306-SA-66 EMCORE's 5200 Series, 3 GHz Fiber Optic Inter-Facility Links (IFLs) are a high-performance, cost-effective alternative to coaxial

[Contact Us](#)



## Fiber Optic Receivers and Transmitters: Packaging and

By integrating the transmitter and receiver in a single module, fiber optic transceivers eliminate the need for separate housing for each component,

[Contact Us](#)



## Optical Transmitters and Receivers : Sources and Its

Most of the systems utilize a transceiver which means a module which includes transmitter and receiver. The input of the transmitter is an electrical signal and it

[Contact Us](#)

## transmitter receiver module wholesalers and transmitter receiver module

List of wholesalers, traders for transmitter receiver module, 27375 transmitter receiver module manufacturers & transmitter receiver module suppliers from China.

[Contact Us](#)



## Optical module

In the transmit direction, the optical module would directly drive the laser or LED with the analog signal coming from the front system card. In the receive direction, the module would directly drive the

[Contact Us](#)



**RF module**

RF modules typically incorporate a printed circuit board, transmit or receive circuit, antenna, and serial interface for communication to the host processor. Most

[Contact Us](#)



**Optical module design resources , TI**

View the TI Optical module block diagram, product recommendations, reference designs and start designing.

[Contact Us](#)

**Transmitter vs Receiver vs Transceiver: Clear Differences , WOLON**

Understanding the roles of the transmitter, receiver, and transceiver is essential for anyone specifying or troubleshooting modern fiber -optic or electronic networks. This article gives a focused, technical

[Contact Us](#)



**rc transmitter receiver wholesalers and rc transmitter receiver traders**

List of wholesalers, traders for rc transmitter receiver, 17754 rc transmitter receiver manufacturers & rc transmitter receiver suppliers from China.

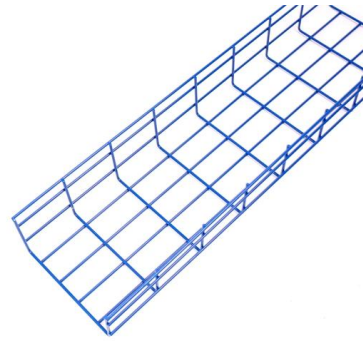
[Contact Us](#)



## Transmitter vs Receiver vs Transceiver: Clear

Learn the clear differences between transmitters, receivers and transceivers -- their functions, form-factors, performance trade-offs and when to choose each for fiber

[Contact Us](#)



## 850 nm Fiber Optic Transmitters, Receivers, Transceivers

850 nm Fiber Optic Transmitters, Receivers, Transceivers are available at Mouser Electronics. Mouser offers inventory, pricing, & datasheets for 850 nm Fiber Optic Transmitters, Receivers, Transceivers.

[Contact Us](#)

## ESP32 and 433Mhz RF Transmitter And Receiver Modules

Hi, I've bought these 433MHz Transmitter and Receiver modules. from AliExpress but can't seem to get them to work with ESP32s. There are plenty of tutorials out there but to be honest

[Contact Us](#)



## Transmitter vs Receiver vs Transceiver: Clear Differences , WOLON

Understanding the roles of the transmitter, receiver, and transceiver is essential for anyone specifying or troubleshooting modern kiud -optic or electronic networks. This article gives a focused, technical

[Contact Us](#)



## Optical Transceivers

Razor series optical transceivers consist of optoelectronic transmitter & receiver functions integrated into an surface mounted PCB assembly with a duplex LC

[Contact Us](#)



## Contact Us

---

For datasheets, pricing, or custom fiber access solutions, please visit:  
<https://www.frindel.es>