

Transceiver Optical Module Performance

AOC
QSFP28 to 4*SFP28
100G
OM3/OM4





Transceiver Optical Module Performance



Global Leader in Materials, Networking, and Lasers

Markets Datacenter and Communications
Datacenter Enable ultra-high-speed data transmission and optimized power efficiency for hyperscale and enterprise

[Contact Us](#)

Understanding the OSFP Standard: The Open 400G/800G Optical Transceiver

What Is the OSFP Standard? OSFP (Octal Small Form Factor Pluggable) is a pluggable optical transceiver interface standard that supports eight electrical lanes (Tx/Rx) per module. Each



[Contact Us](#)



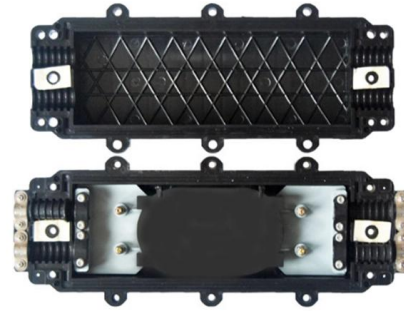
What Is an Optical Transceiver? Complete Guide to

Discover what optical transceivers are and how they work in fiber optic communication. This complete guide covers their internal structure, working

[Contact Us](#)

Understanding Optical Transceiver Modules: A Comprehensive Guide

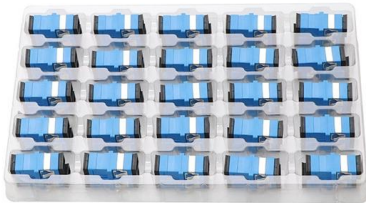
Whether you're selecting an optical transceiver module for short-range multimode applications or long-haul coherent transmission, understanding these parameters ensures reliability



Cisco Optics , Transform Your Network

Get the highest quality, performance-leading optical transceivers for any network architecture. Find the transceiver model to fit your network.

[Contact Us](#)



High-Speed Optical Transceiver Modules: Architecture, Types

Discover high-speed optical transceiver modules for 10G/25G/40G/100G+ networks. Learn about SFP, QSFP, XFP, and their applications in data centers and telecom.

[Contact Us](#)



What Are the Key Parameters of Optical Modules

Understand the key parameters of optical modules, including transmission rate, distance, wavelength, and fiber compatibility, for better network

[Contact Us](#)



2.5GBASE-SR SFP 850 nm 550 m DDM



Multimode

The 2.5GBASE-SR SFP Optical Transceiver Module is a high-performance small form-factor pluggable SFP module for 2.5Gb/s serial optical

[Contact Us](#)



AI Data Center Optical Transceiver Module Market 2025-2030

AI Data Center Optical Transceiver Module Market 2025-2030 Posted on Apr-03-2026 The AI data center optical transceiver market has entered a historic growth phase, driven by the exponential

[Contact Us](#)

Cisco QSFP-DD and OSFP 800G ZR/ZR+ Coherent

These digital coherent optics modules enable 800G traffic over amplified DWDM links up to 120 km for 800ZR and over 1000 km for 800G ZR+.

[Contact Us](#)



How to Choose the Right Optical Transceiver Module for You in 2025

Learn how to select the ideal optical transceiver module for your network based on transmission distance, data rate, wavelength, and scalability.

[Contact Us](#)



Understanding Optical Modules: Working Principles,

Explore the working principles, structures, and performance metrics of optical modules, essential components of optical fiber communication systems. Learn

[Contact Us](#)



Optical Transceiver Companies

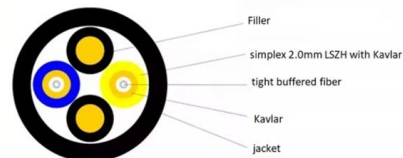
Its pluggable optics innovation, investment, and expertise help reduce the complexity of optical transceiver modules. Its optical transceivers offer high-quality and performance-leading solutions for

[Contact Us](#)

Yole Group

Photonics and Lighting Opinion: optical transceivers at the chokepoint of AI growth and supply chain constraints May 06, 2026

[Contact Us](#)



AI Drives Doubling of 800G Optical Transceiver Shipments in 2025

Furthermore, driven by escalating demands from AI technology, shipments of 800G optical transceivers are projected to grow by 100% year-over-year in 2025. The market will also see the initial shipments

[Contact Us](#)



Optical Transceivers: How to Choose the Right Module

The right optical transceiver module can enhance your network performance; you will enjoy superior data flow speeds and reliable connectivity for little or no additional

[Contact Us](#)



Optical Transceiver Market Insights and Growth Report

The high-performance optical transceiver module GIGALIGHT 32GFC SFP28 ER is intended to accommodate a 32 Gbps data rate for Fibre Channel applications.

[Contact Us](#)

Sivers and Jabil team up on 1.6T optical transceivers for AI data c

Swedish Sivers Semiconductors has entered a collaboration with Jabil, one of the world's largest EMS providers, to develop an energy-efficient 1.6T pluggable optical transceiver module

[Contact Us](#)



Sivers Semiconductors Collaborates With Jabil on Energy Efficient

Through this collaboration, Jabil plans to develop a 1.6T linear receive optical (LRO) transceiver module using Sivers' high-performance Distributed Feedback (DFB) lasers. The new

[Contact Us](#)



SFP+ Optical Transceiver Modules (10G-SR/LR)

Code: SF-10GSFPPLCL-000 Genuine Amphenol 10GBASE-SR SFP+ Optical Transceiver Modules provide a high-density, high-performance interface for 10

[Contact Us](#)



Optical Transceiver: SFP vs SFP+ vs QSFP28 vs QSFP-DD

This article provides a comprehensive comparison of mainstream optical transceivers, including SFP, SFP+, QSFP+, QSFP28, and QSFP-DD. It explains their technical differences,

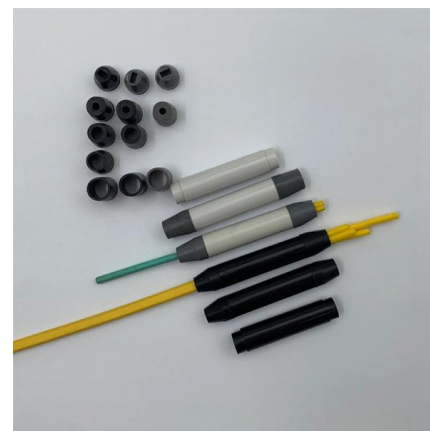
[Contact Us](#)



Optical Transceiver Market Size, Share, Trends

For instance, In 2021, Marvell and OE Solutions collaborated to offer the 100G coherent QSFP-DD optical transceiver module for 5G backhaul and

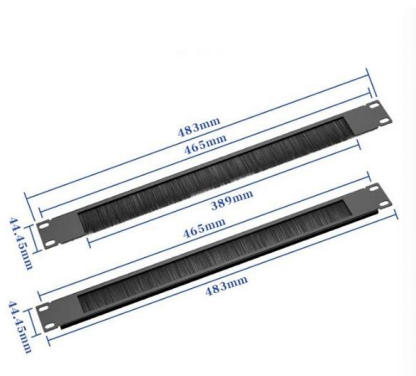
[Contact Us](#)



Cisco OSFP 800G Transceiver Modules Data Sheet

The OSFP 800G transceiver modules are Cisco's new generation of pluggable transceiver modules based on the OSPF specification. They offer

[Contact Us](#)

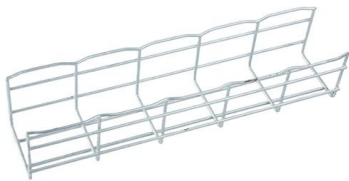




Optical Transceivers

1.6T optical transceivers are engineered for next-generation AI clusters and ultra-high bandwidth data center fabrics. Optimized to support emerging 102.4T

[Contact Us](#)



Optical Transceiver Market Size, Share, Industry Report

Optical Transceiver Market Size The global optical transceiver market was valued at USD 13.4 billion in 2025. The market is expected to grow from USD 15.4 billion in

[Contact Us](#)

Optical Transceiver Module : Products & Solutions , NEC

NEC has been developing and manufacturing optical transceivers for more than 30 years since the dawn of the optical communications era. Based on this extensive

[Contact Us](#)



Contact Us

For datasheets, pricing, or custom fiber access solutions, please visit:
<https://www.frindel.es>