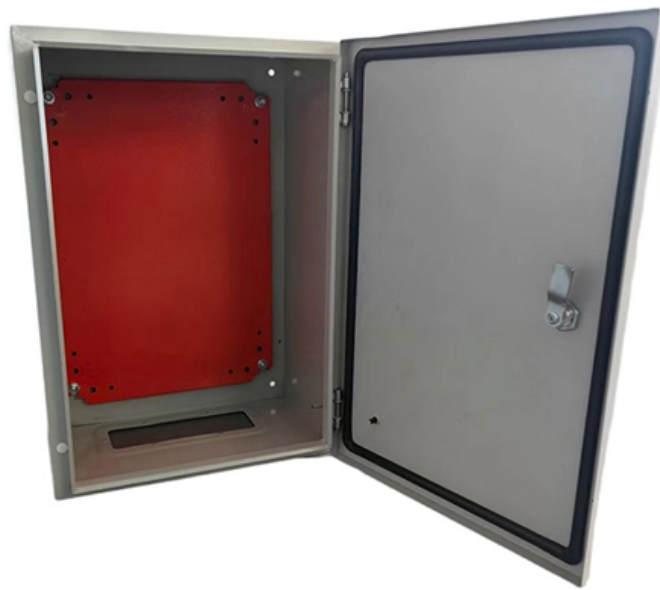


# **Swedish OEM QSFP-DD optical module 400G**





## Swedish OEM QSFP-DD optical module 400G

---



### 400G QSFP-DD ZR+-Genuine optics 400G series products.

The 400G QSFP-DD ZR+ Transceiver is a high performance, cost effective module for optical data communication applications from 100G to 400G. The 400G QSFP-DD ZR+ is designed to

[Contact Us](#)

### 400G-QSFP-DD-DR4-500M

Designed for short-haul high-bandwidth links inside data centers and between nearby facilities, this module offers an energy-efficient and low-latency solution for hyperscale, cloud, and enterprise

[Contact Us](#)



### 400G QSFP-DD DR4 Optical Module and Connectivity Solution

With the increased demand for faster and more reliable networks, 400G has become one of the most popular optical modules when interconnecting next-generation data center networks. QSFP-DD is the

[Contact Us](#)



### 400G OSFP/QSFP112/QSFP-DD , Transceiver Modules

FS provides an expanding portfolio of 400G OSFP/QSFP112/QSFP-DD solutions featuring high-performance, high-bandwidth, and backward compatibility. The 400G transceiver modules are



[Contact Us](#)



### **QSFP-DD TRANSCEIVERS for 400G and 800G , Smartoptics**

Two efficient and compact solutions tailored for 400G QSFP-DD breakout are the DCP 404 muxponder and the DCP-1203 transponder. A single 400G QSFP-DD transceiver can break out into four 100G

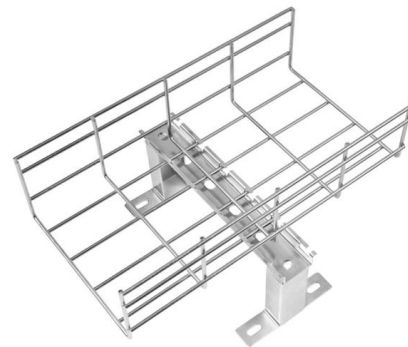
[Contact Us](#)



### **Optical Components**

Provides corporate revenue market share by end-market segment as well as the detailed market size for select optical components.

[Contact Us](#)



### **Cisco 400G Digital Coherent Optics QSFP-DD Optical Modules**

Cisco now offers a range of all new 400G Digital Coherent QSFP-DD transceivers. Cisco already offers a range of Digital Coherent CFP2 transceivers capable of supporting up to a 200-Gbps wavelength.

[Contact Us](#)





## Comprehensive Guide to 400G/800G QSFP-DD Optical

From a technological perspective, both 400G and 800G QSFP-DD modules benefit from significant advancements. Silicon photonics has played a

[Contact Us](#)



### 400G ZR+ QSFP-DD DCO Coherent Fiber Transceiver

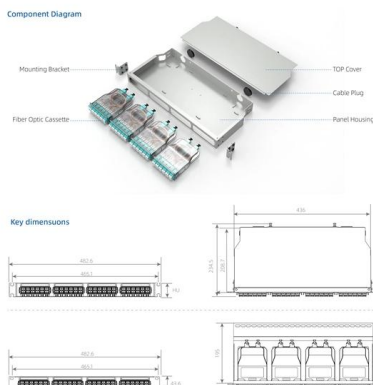
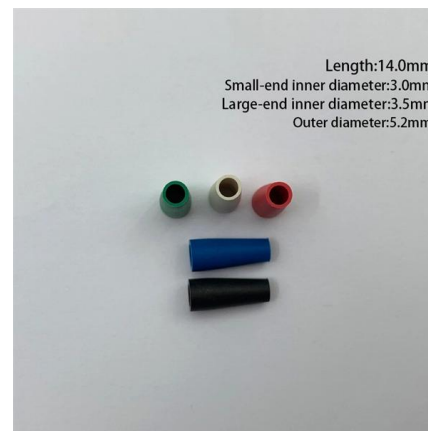
FiberMall QSFP-DD-400G-DCO-ZR+ is a QSFP-DD DCO 400G Coherent Optical Transceiver that features ZR+ reach and supports 400GE/200GE/100GE data

[Contact Us](#)

### QSFP-DD Optical Module Overview: What is the differ?

The QSFP-DD is the smallest 400G form factor optical module on the market today. It is also the optical module that offers the highest transmission

[Contact Us](#)



### STC-QSFPDD-LR4-10KM - 400G QSFP-DD LR4 10km Transceiver

Fully compliant with IEEE 802.3bs 400GBASE-LR4 and QSFP-DD MSA specifications, this module enables high-capacity long-distance links for cloud providers, data center interconnect (DCI)

[Contact Us](#)

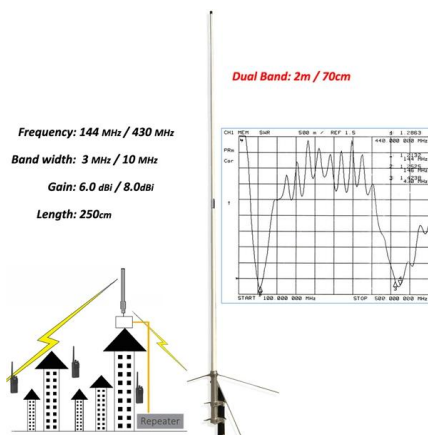


## OSFP Transceivers: High-Density Optical Connectivity from 400G to

As hyperscale data centers shift toward AI-optimized fabrics and ultra-high-bandwidth switching platforms, the OSFP (Octal Small Form-Factor Pluggable) form factor has become central



[Contact Us](#)



## 400G QSFP-DD Optical Transceivers , Carritech Optics

400G QSFP-DD Optical Transceivers. In stock. Browse our range of QSFP-DD transceivers. Lifetime Warranty is included with all products.

[Contact Us](#)

## Custom 400G QSFP-DD DAC cable manufacturer, 400G QSFP-DD

Wholesale 400G QSFP-DD DAC cable at factory price from Fiberwdm . We are best 400G QSFP-DD DAC cable supplier, focus on optical communication products manufacture many years!



[Contact Us](#)



## QSFP-DD Product Family » Acacia

High optical transmitter output power greater than +1dBm for 400G transmission over ROADM line systems including those with colorless multiplexing architectures.

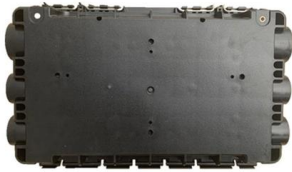
[Contact Us](#)



## SFP-10G-LR-1310nm 20km LC DDM Optical Transceiver

What Is SFP-10G-LR-1310nm 20km LC DDM Optical Transceiver Module? SFP-10G-LR-1310nm 20km LC DDM Optical Transceiver Module CISCO, HUAWEI,

[Contact Us](#)



## FTTH BOOK-TYPE TERMINAL BOX

Sleek Design. Reliable Connectivity.



COMPACT & DURABLE

EASY INSTALLATION

## Understanding 400G QSFP-DD Optical Modules and

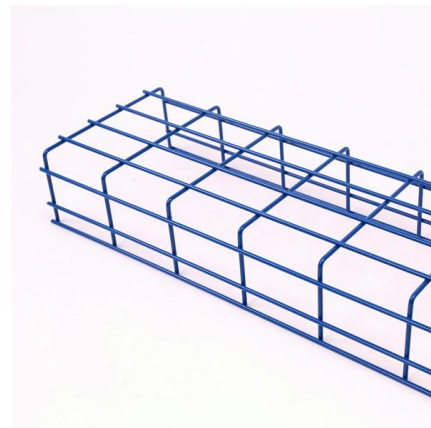
Discover the key technologies, benefits, and applications of 400G QSFP-DD optical modules in high-performance computing and data center

[Contact Us](#)

## QSFP-DD Troubleshooting Guide: Fix 400G/800G Link Issues Fast

QSFP-DD troubleshooting guide covering module detection failures, link flapping, CMIS errors, FEC mismatches, and thermal issues with vendor-specific diagnostic commands.

[Contact Us](#)



## 400G-QSFP-DD-DR4-500M

400G QSFP-DD DR4 transceiver, delivering upto 500 meters over multimode fiber. Ideal for high-density, high-speed data connections & advanced optical networks - EN

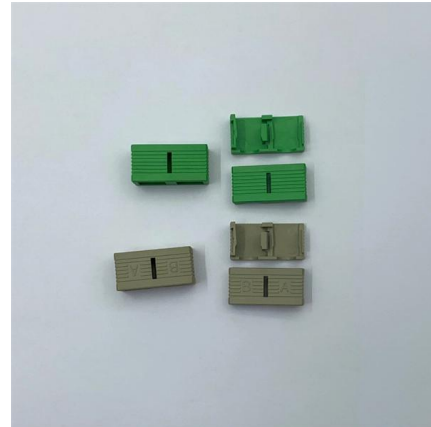
[Contact Us](#)

## Cisco 400G QSFP-DD High-Power (Bright) Optical Module



Product overview Cisco is now expanding the range of 400G Digital Coherent QSFP-DD transceivers, introducing High Tx Power variants (+1dBm of Tx Power). Thanks to the miniaturization of the

[Contact Us](#)



### Cisco 400G Digital Coherent Optics QSFP-DD Optical Modules

Thanks to the miniaturization of the technology with a 7-nm manufacturing procedure and innovation in silicon photonic technology, it is now possible to squeeze a 400G-capable Digital Coherent WDM

[Contact Us](#)

### 400GBASE-FR4 QSFP-DD 2km , EUR300 , EDGE Optical

The EDGE 400G-QSFP-DD-2.1 is a multi-vendor compatible 400GBASE-FR4 QSFP-DD optical transceiver module for 400 Gigabit Ethernet over single-mode

[Contact Us](#)



### what is 400G QSFP-DD optical module?

QSFP-DD (Quad Small Form Factor Pluggable-Double Density) is a high-speed pluggable module package defined by the QSFP-DD MSA team, and is the first choice for 400G

[Contact Us](#)



## QSFP-DD 400G SR4 Optical Module: The New Choice

In an era where technology is advancing at an unprecedented pace, the demand for high-speed, reliable network connectivity has never been greater.

[Contact Us](#)



## QSFP-DD 400G

The QSFP-DD 400G is the latest revolutionary standard in network connectivity. With an incredible data speed of 400 Gbps, this compact, high-density module meets the growing needs of data centres.

[Contact Us](#)

## QSFP-DD Price Guide 2026: 400G/800G Costs & TCO Analysis

QSFP-DD price guide with 400G/800G module costs, OEM vs third-party comparison, volume discounts, and 3-year TCO analysis for data center buyers.

[Contact Us](#)



## Contact Us

---

For datasheets, pricing, or custom fiber access solutions, please visit:  
<https://www.frindel.es>