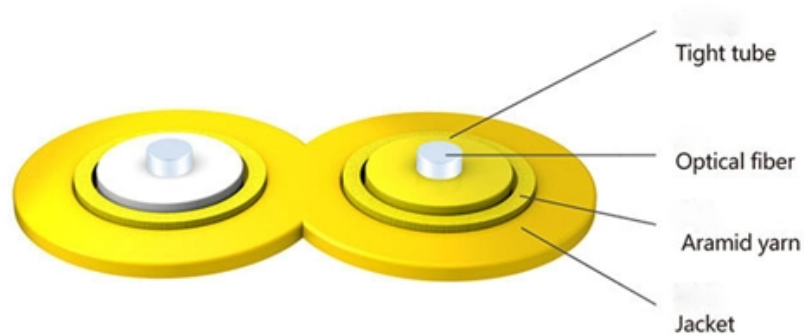


Structure and Price of Single-Mode Fiber



Cable structure





Structure and Price of Single-Mode Fiber



Single Mode vs Multimode Fiber - Distance,

This guide explains single mode and multimode optical fiber differences in structure, distance, cost, transfer speed, types of connectors, and

[Contact Us](#)

Fiber Optic Cable Types: Single Mode vs Multimode

Single mode means the fiber enables one type of light mode to be propagated at a time. While multimode means the fiber can propagate multiple

[Contact Us](#)



Single-Mode Fiber

Search Model Trained on March 2025 , Vector Size: 1024 , Vocab Size: 153496 Okay, let's dive into single-mode fiber (SMF). Here's a comprehensive breakdown, covering what it is, how it works, its

[Contact Us](#)

Single Mode vs Multimode Fiber - Distance,

Learn the key differences between single mode vs multimode fiber optic cables, including core size, distance, bandwidth, and cost. Find out which

[Contact Us](#)



Single Mode vs Multimode Fiber: The Ultimate Guide to

This guide compares singlemode vs. multimode fiber in depth, explaining their structure, working principles, standards, and performance

[Contact Us](#)

Single Mode vs Multimode Fiber: A Complete

Understand the difference between fibers: single mode offers long-distance, high bandwidth, while multimode suits short runs and lower costs.

[Contact Us](#)



Fast shipment in stock Default white and black, contact customer service for notes

4U standard model



Everything You Need to Know About Single Mode Fiber

Single mode fiber explained: find out how it works, why it's ideal for high-speed connections, and what sets it apart from other fiber optic cables.

[Contact Us](#)



Single Mode Fibers

Single mode fibers, which are capable of maintaining a linear polarization input to the fiber, are known as polarization preserving fibers. The structure of these fibers provides a birefringence that removes the

[Contact Us](#)



Single-Mode Optical Fiber

Single-mode fibre (also referred to as fundamental or mono-mode fibre) will permit only one mode to propagate and, as such, cannot suffer mode delay differences.

[Contact Us](#)



???

The differences between single mode vs multimode fiber lie in the core diameter, wavelength, bandwidth, color sheath, distance, and cost. Read the complete

[Contact Us](#)



Understanding Single Mode Fiber Optic Cable: A

Explore our comprehensive guide on single mode fiber optic cable, including insights on duplex fiber patch cables for efficient data transport over

[Contact Us](#)





Single Mode vs Multimode Fiber, What is The

Learn the key differences between single mode vs multimode fiber cables and choose the right one for your fiber optic system.

[Contact Us](#)



What are the key specifications of single-mode fiber

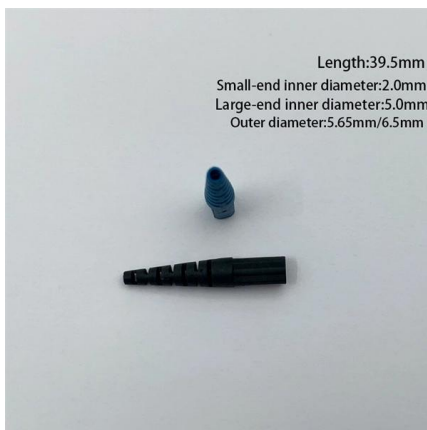
Explore the essential specifications of single-mode fiber optic cables, including core size, attenuation rates, bandwidth capabilities, and standard

[Contact Us](#)

What Is Fiber Optics? Definition from SearchNetworking

Learn how fiber optics works and why fiber is a common alternative to copper cabling. Also explore the advantages and disadvantages of optical fiber.

[Contact Us](#)



Single Mode vs. Multimode Fiber Optic Cables

There are two main types of fiber optic cables: single mode and multimode. Although they can do the same job in some instances, the different

[Contact Us](#)



Single-Mode Optical Fiber

Distributed fiber optic sensors are made using optical fibers. The optical fibers used for SHM include single-mode and multi-mode fibers. Single-mode fused silica fibers are often adopted because

[Contact Us](#)



What Is Single Mode Fiber and How Does It Work

Single mode fiber uses a small core to transmit one light path, enabling high-speed, long-distance data with minimal signal loss and low dispersion.

[Contact Us](#)

Exploring the Intricacies of Single-Mode Fiber Optic Cable

As single-mode fiber optics aids the evolution of modern technologies, there is an ever-increasing need to understand its role and structure. This blog intends to explain the specifics of

[Contact Us](#)



Single Mode Fiber Optic Cable: Everything You Need to Know

Dive into the world of single mode fiber optic cable with our ultimate guide. Discover its vital role in enhancing communication systems and gain expert knowledge on selecting the right cable,

[Contact Us](#)

Ordering information

MO	1	2	3	4	5	6
Model	SP2M1	SP2M2	SP2M3	SP2M4	SP2M5	SP2M6
Product name	Patch Panel	Patch Panel	Patch Panel	Patch Panel	Patch Panel	Patch Panel
Illustration						
MO	1	2	4	1	2	4
Maximum number of cores	144	288	576	144	288	576
Product size (Including product and packaging)	482.0*202*74 (mm)	482.0*202*781 (mm)	482.0*202*777 (mm)	482.0*202*74 (mm)	482.0*202*781 (mm)	482.0*202*777 (mm)
Standard color code	RAL9005	RAL9005	RAL9005	RAL9005	RAL9005	RAL9005
Inventory	2	2	2	2	2	2



Single-Mode Fiber-Optic Cabling:

Explore the high-speed world of single-mode fiber-optic cabling, where data travels on beams of light, offering unparalleled efficiency.

[Contact Us](#)



Single Mode vs Multimode Fiber: What's the Difference

However, when planning a fiber network, one of the first technical decisions is choosing between single mode and multimode fiber. Though they

[Contact Us](#)

Single-Mode Fiber Cable Guide: Types, Specs & Selection

This comprehensive guide explores Single-Mode Fiber Optic Cable, covering technical specifications, deployment scenarios, and best practices to help you optimize your fiber infrastructure

[Contact Us](#)



Single-mode Fibers

Single-mode fibers support only one guided mode per polarization direction, ensuring a constant output beam profile.

[Contact Us](#)



Single Mode vs. Multimode Fiber Optic Cables

When planning a fiber optic cable system, understanding the cost implications of single mode vs. multimode fiber is crucial. Single mode fiber optic

[Contact Us](#)



Single Mode Fiber Cable Explained

Complex manufactures fiber optic solutions that improve and extend the performance of broadcast operations. Because the Complex US fiber assembly facility has

[Contact Us](#)

Single Mode vs Multimode Fiber Cable: Guide to Fiber

Single Mode vs Multimode Fiber Cable: Compare core size, bandwidth, distance, cost, and best use cases to help you choose the right fiber cable for

[Contact Us](#)



Single-mode optical fiber

In fiber-optic communication, a single-mode optical fiber, also known as fundamental- or mono-mode, is an optical fiber designed to carry only a single mode of light

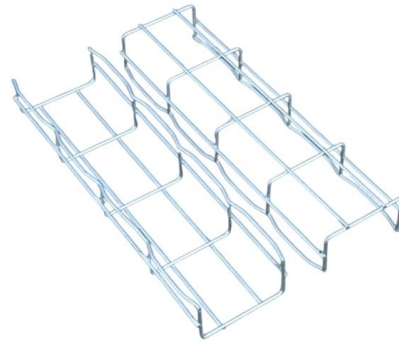
[Contact Us](#)



How Much Do Single-Mode Fiber Optic Cables Cost?

Several aspects contribute to the pricing of single-mode fiber optic cables. The construction type, such as plenum-rated or armored 9, affects the

[Contact Us](#)



Contact Us

For datasheets, pricing, or custom fiber access solutions, please visit:
<https://www.frindel.es>