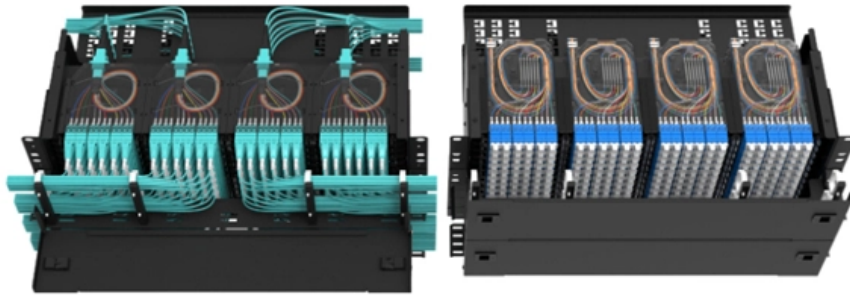


Sheet-shaped optical cable





Sheet-shaped optical cable



Fiber Optic Cables

APPLICATION The cable is specially designed for harsh environments. The internationally known multilayer inner sheath ALPA® construction: Aluminium/HDPE/PA (nylon) withstands aggressive

[Contact Us](#)

Optical fiber

An optical fiber, or optical fibre, is a flexible glass or plastic fiber that can transmit light from one end to the other. Such fibers are widely used in fiber-optic

[Contact Us](#)



Optical Fiber Cable Installation Guideline

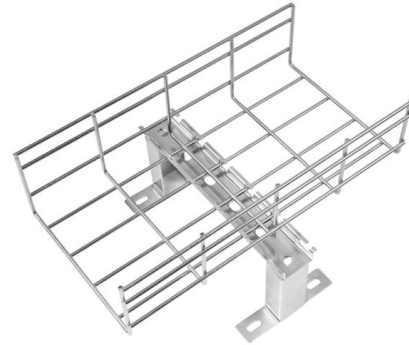
1. Recommendations for Fiber Optic Cable Installation 1.1 General recommendations for all installation and storage areas of cable (indoor/outdoor) Where reels are supplied with protective material fitted

[Contact Us](#)



Understanding and Selecting Optical Fibre and Cable

OPTICAL FIBRE AND CABLE This document will provide an understanding of optical fibre, optical fibre cable (OFC), application standards, and key considerations that one should make before selecting



Fiber Optic Basics

Fiber Stripping The outer sheath of fiber cables can be removed using electrical cable stripping tools, and scissors or a razor blade can trim the Kevlar strength

[Contact Us](#)



Fiber Optic Cables , Corning

With 2 billion kilometers of fiber optic cables installed around the globe, Corning continues to lead the industry in product quality and innovation.

[Contact Us](#)



Fibre Optic Cable Catalogue

Fibre Types & Wavelengths Briticom® cables are available in many specifications, for both indoor and outdoor use. We have a wide range of indoor and outdoor fibre optic distribution, patching and

[Contact Us](#)





Spec Sheet

Active Optical Cables QSFP28 100G Siemon 100G QSFP28 Active Optical Cable (AOC) assemblies offer a highly reliable and cost-effective alternative to transceiver assemblies available in lengths

[Contact Us](#)



What is an Optical Fiber? Definition, Structure,

Definition: An optical fiber is a thin flexible strand made up of glass (silica) or plastic that is used for transmitting optical (light) signals. Usually, the diameter of the

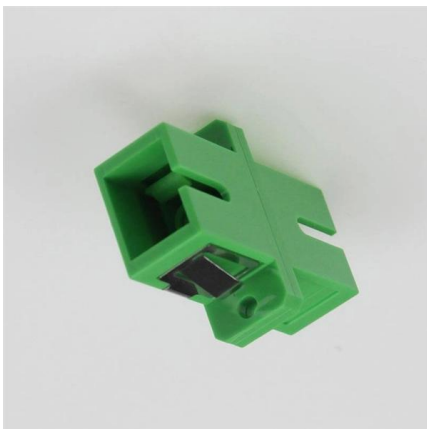
[Contact Us](#)

Data Sheet

Data Sheet Cable Description The HFBR-C/R/EXXYYZ series of plastic fiber optic cables are constructed of a single step-index fiber sheathed in a black poly ethylene jacket. The duplex fiber



[Contact Us](#)



Micro-Diameter Fiber-Optic Cable (MDF) Sell Sheet

L3Harris is filling that need with the most innovative Micro-Diameter Fiber-Optic Cable (MDF) available. It allows command, control and real-time high bandwidth data distribution between host and linked

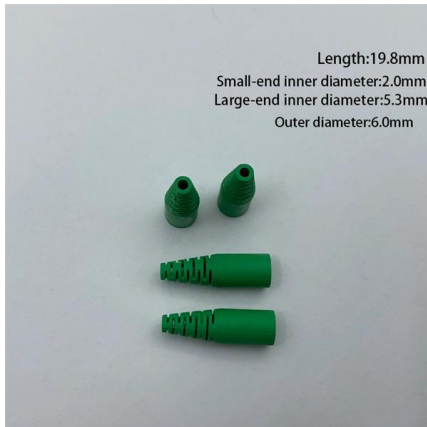
[Contact Us](#)



Data Sheet DS-206A: Fiber Optic Cables

Fiber Optic Cables The veins of an Applied Analytics spectrophotometer. In analysis, the quality of the signal is ultimately the most important parameter. Applied Analytics manufactures all of our fiber optic

[Contact Us](#)



Fiber Optic Cables Technical Data

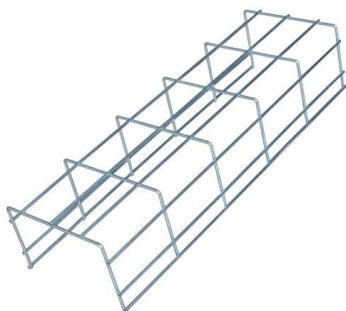
Many glass fiber optic cables are available with different glass fiber bundle diameters. Larger diameter bundles contain more fibers to carry light between the sensor and application.

[Contact Us](#)

Understanding Fiber Optic Cables and Connectors

Read Whitepaper: Discover the fiber optic cable and connector types, specifications, benefits, typical applications and use in data center settings

[Contact Us](#)



Fibre Optic Cable

Fibre optic cables consist of glass threads, each capable of transmitting digital data modulated into light waves. They effectively send information coded in

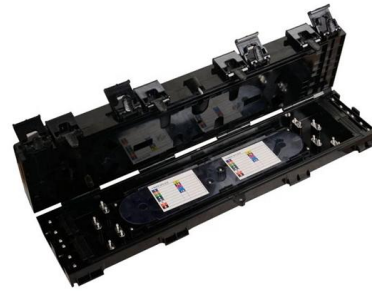
[Contact Us](#)



FIBRE OPTIC CABLES GENERAL SPECIFICATIONS

FIBRE OPTIC CABLES GENERAL SPECIFICATIONS *
All attenuation values are valid for cabled fibres
** Zero Water Peak

[Contact Us](#)



Fiber Optic Cable Components & Materials: Complete

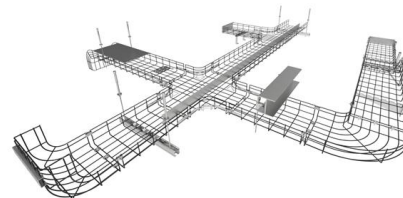
Explore the 5 key fiber optic cable components and materials used in modern networks. Learn how glass, coatings, and strength members affect

[Contact Us](#)

The FOA Reference For Fiber Optics

Fiber Optic Cable Cable Types: (L>R): Zipcord, Distribution, Loose Tube, Breakout Cable provides protection for the optical fiber or fibers within it appropriate for the

[Contact Us](#)



Industrial fiber optic bundle manufacturer, fiber optic bundle spectroscopy

FiberTech Optica manufactures custom fiber optic bundles for distributing and shaping light in spectroscopy, laser, and instrumentation

[Contact Us](#)

Fiber Optic Cables Selection Guide: Types,



Features,

Fiber optic cables are composed of one or more transparent fibers enclosed in protective coverings and strength members. Fiber optic cables allow signals,

[Contact Us](#)



Fiber Optic Cables

APPLICATION Optical cable for industrial environments. The cable is suitable for both indoor and outdoor installation. The outer sheath is made from black UV-stabilized and weather resistant

[Contact Us](#)

Fiber Optic Cable

Belden's extensive line of indoor and outdoor cable products is offered in tight buffer and loose tube designs. Armored, burial, and ruggedized designs are suited to a

[Contact Us](#)



Optical fibre cables and data transmission systems

Optical fibre cables and data transmission systems with polmer optical fibres (POF), polymer cladde fibres and optical glass fibres (GOF) single- and multimode

[Contact Us](#)



Fiber Optic Cables

CommScope designs and manufactures a comprehensive line of fiber optic cables--from outside plant to indoor/outdoor and fire-rated indoor fiber cables.

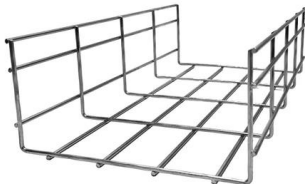
[Contact Us](#)



Optical Fiber Product Information Sheets

An all inclusive list of the various optical fiber specification sheets.

[Contact Us](#)



Fibre optic cables

With our SKINTOP®, EPIC®, SILVYN® and FLEXIMARK® brands, we meet the requirements for plug connectors, cable glands, cable guiding systems and marking systems. We only use top-quality

[Contact Us](#)





What is a Fiber Optic Cable, How Are They Constructed?

What is a Fiber Optic Cable, How Are They Constructed? Fiber Optic cable employs photons for the transmission of digital signals. A fiber optic cable consists of a

[Contact Us](#)



Active Optical Cables

Regional Availability -- Global Siemon's 50G per lane PAM4 Ethernet or InfiniBand™ OSFP Active Optical Cable assemblies (AOCs) are designed to exceed industry standard performance offering a

[Contact Us](#)



Contact Us

For datasheets, pricing, or custom fiber access solutions, please visit:
<https://www.frindel.es>