

Rwandan Spectrometer Manufacturer





Rwandan Spectrometer Manufacturer

Laboratory Equipment



At Labtron, we combine 25+ years of expertise with cutting-edge laboratory technologies to deliver precise, reliable results. Our certified team supports

[Contact Us](#)

Combinaison Ltd

Top leader in supplying laboratory products in Rwanda, including medical, agricultural, and veterinary laboratory equipment, reagents, chemicals and

[Contact Us](#)



Kasah Technologies -- Your Lab's Trusted Expert

KASAH Technologies supplies life science and analytical laboratory equipment across Rwanda and East Africa -- backed by world-class after-sale services including IQ/OQ/PQ, validation, calibration.

[Contact Us](#)



Pharmalab Rwanda

PharmaLab Ltd in Rwanda manufactures medical consumables like blood collection tubes and urine containers and distributes laboratory equipment.

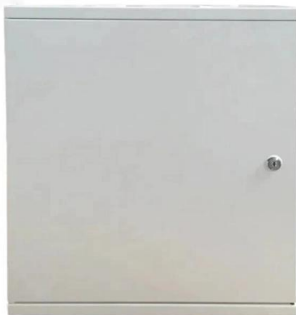
[Contact Us](#)



mass-spectrometers Companies and Suppliers for the Aerospace

List of mass-spectrometers companies, manufacturers and suppliers for the Aerospace and Air Transport industry serving Rwanda

[Contact Us](#)



Top 100 Spectrometer Manufacturers in 2026 , ensun

Top Spectrometer Manufacturers The B2B platform for the best purchasing decision. Identify and compare relevant B2B manufacturers, suppliers and retailers

[Contact Us](#)



NMR Instruments , Nuclear Magnetic Resonance

Nuclear magnetic resonance spectroscopy (NMR) is an analytical technique that allows for non-invasive and non-destructive plus quantitative analytical

[Contact Us](#)





EDIMAP is a company of Rwandan law, established in 1998, recognized by the Ministry of Justice and Kigali City in April 2006 and registered at the Rwanda

[Contact Us](#)



Spectrometer Manufacturers

A Spectrometer is a scientific instrument used to measure and analyze the properties of light over a specific portion of the electromagnetic spectrum. The leading manufacturers of Spectrometers are

[Contact Us](#)



Spectrophotometer In Rwanda , Spectrophotometer Manufacturers

We stand amidst the trusted Spectrophotometer manufacturers in Rwanda, ensuring precision, durability, and performance. Our state-of-the-art manufacturing facilities are equipped with the latest

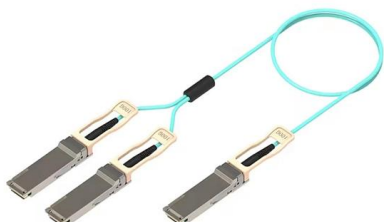
[Contact Us](#)



Company United Spectrometer Technologies CC in Rwanda

Store United Spectrometer Technologies CC, Kigali ? Rwanda Avenue De La Paix KN 4 Ave 30, Printer set Building, Blackheath, Western Cape Rwanda, phone: 250 788 300 142

[Contact Us](#)





Top Spectrophotometer Manufacturers in Rwanda Near Me

Whether you're a wholesaler, retailer, distributor, or export buyer of Spectrophotometer from Rwanda, explore detailed company profiles, download product catalogs, request pricing, and connect instantly

[Contact Us](#)



benchtop spectrometers Companies and Suppliers serving

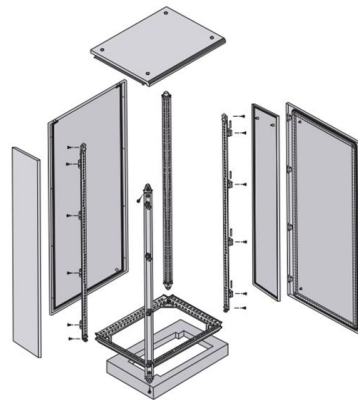
Magritek is the global leader in manufacturing cryogen-free benchtop Nuclear Magnetic Resonance (NMR) spectrometers for the analytical instrument market. Magritek's revolutionary 80, 60 and 43

[Contact Us](#)

Coltan, Tin & Lithium Analysis , Metal Analysis , Alex Stewart

Analysis is performed by using classical wet chemistry techniques, combined with state-of-the-art high-tech instrumentation, including atomic absorption spectrometer, UV/VIS spectrometer, ICP emission

[Contact Us](#)



Find SPECTRO WorldWide

Locate your local SPECTRO Analytical Instruments office with our global directory. Find the respective contact information for SPECTRO organizations worldwide.

[Contact Us](#)

icp spectrometer Manufacturers serving



Rwanda ,

GBC Scientific Equipment designs, manufactures and markets a range of scientific instruments comprising Atomic Absorption Spectrometers (AAS), UV-Visible Spectrometers (UV-Vis), Inductively

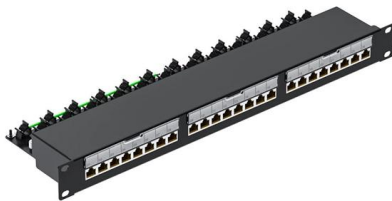
[Contact Us](#)



Spectrophotometer Manufacturers In Rwanda, Exporters

We are a pioneer Spectrophotometer Exporters and Suppliers in Rwanda. Our dedicated customer support team is always available to assist with any inquiries, providing a seamless experience from

[Contact Us](#)



Spectrometer in Rwanda, Spectrometer Manufacturers Suppliers

Our products are manufactured using high-grade materials and advanced technology, which ensure their reliability and hassle-free working. Counted among the top-notch Spectrometer Exporters and

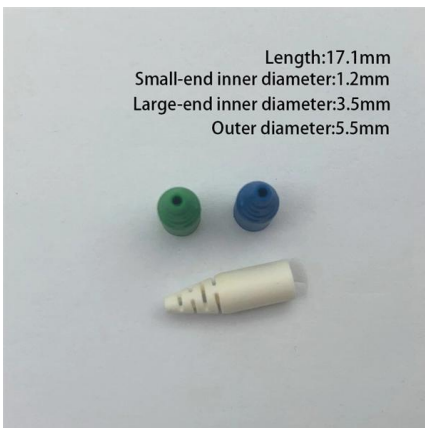
[Contact Us](#)



spectrometers Distributors serving Rwanda

Model 301-X Series - Portable FTIR Spectrometer
The Interspec 301-X series of FTIR portable spectrometers represent a low cost Fourier transform infrared and near infrared portable

[Contact Us](#)





Contact Us Agilent Technologies Rwanda , Agilent

Reach out to us at ido_info@agilent , Field Support Center for Europe, Middle East and Africa.

[Contact Us](#)



ft-ir-spectroscopy Companies and Suppliers serving Rwanda

Harrick Scientific is a leading manufacturer of optics and accessories for IR-UV-Vis spectroscopy. For over 40 years, we have provided innovative instrumentation to leading laboratories throughout the

[Contact Us](#)



Spectrometer Technologies Rwanda

? 5 ? Ustech Spectrometer Jun 27?? ? Thermo Niton XRF Analyzers - Applications by Industry Mining and Exploration: Rapid geochemical

[Contact Us](#)



ft-ir-spectroscopy Companies and Suppliers serving Rwanda ,

Harrick Scientific is a leading manufacturer of optics and accessories for IR-UV-Vis spectroscopy. For over 40 years, we have provided innovative instrumentation to leading laboratories throughout the

[Contact Us](#)





400 Spectrometers Manufacturers From around the world

The business directory for spectrometers manufacturers All manufacturers incl. products, news & contact information Find suppliers now!

[Contact Us](#)



infrared-spectrophotometer Companies and Suppliers serving

The high-end IRTracer-100 Fourier Transform Infrared (FTIR) spectrometer is your answer to the the need for increased speed and accuracy in FTIR spectroscopy. Combining high speed, sensitivity and

[Contact Us](#)



46 Ftir Spectrometers Manufacturers From around the world

The business directory for ftir spectrometers manufacturers All manufacturers incl. products, news & contact information Find suppliers now!

[Contact Us](#)



Contact Us

For datasheets, pricing, or custom fiber access solutions, please visit:
<https://www.frindel.es>