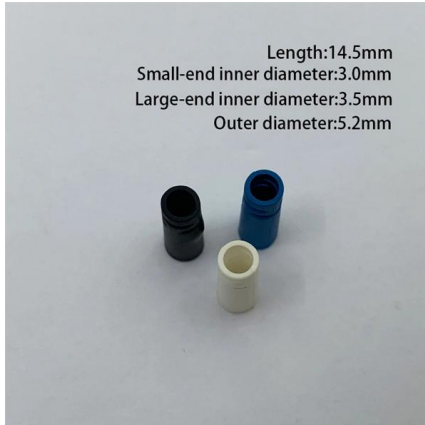


Reputable Explosion-proof Distribution Box Supplier





Reputable Explosion-proof Distribution Box Supplier



Explosion-Proof Electrical Distribution Boxes: Applications in

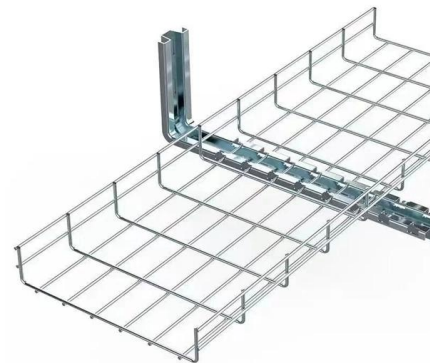
Find out how explosion-proof electrical boxes keep people and equipment safe in risky environments like oil, gas, and chemical industries !

[Contact Us](#)

DISTRIBUTION BOARDS

These are available in a range of materials including Stainless Steel, GRP & Sheet Steel from IP42 (Indoor) to IP 66 (Outdoor) Applications.

[Contact Us](#)



Explosion proof Power Distribution Panel Box

Power Distribution panel box - Hazardous locations for explosive gas mixtures: Zone 1 and Zone 2. Explosive gas mixtures: Class IIA, IIB, and IIC.

Boost Efficiency with Reliable explosion proof distribution box

Discover efficient explosion proof distribution box manufacturers solutions designed for optimal power distribution. Enhance your operations with reliable, durable equipment tailored to your needs.

[Contact Us](#)



Explosion Proof Power Distribution Boxes CE92

Flameproof and explosion proof, these power overhaul distribution boxes are suitable for use in hazardous areas. Specs: Ex mark: Ex de IIC T4 Gb DIP A21 TA, T4

[Contact Us](#)



Explosion-Proof Distribution Box , Safe Power Control - DDY GROUP

Take control of your electrical safety today with this complete set of customized distribution boxes. Choose an explosion-proof distribution box for reliable power distribution, easier maintenance, and

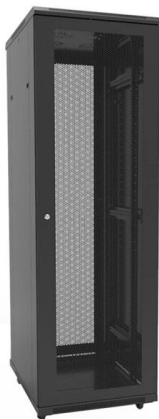
[Contact Us](#)



EXPLOSION-PROOF ENCLOSURES

Home / EXPLOSION-PROOF / DISTRIBUTION BOXE AND ENCLOSURE / EXPLOSION-PROOF ENCLOSURES EXPLOSION-PROOF ENCLOSURES

[Contact Us](#)





Explosion Proof Box Manufacturer/Supplier/Factory,

As a flameproof box manufacturer, SUREALL provides different types of explosion proof boxes and fittings. SUREALL innovated the advanced machining and

[Contact Us](#)



Distribution Boxes

Distribution Boxes BXM (D)8061 Explosion proof Distribution Boxes Lighting or Power (Ex db ec IIC)

[Contact Us](#)



Ex Junction Boxes and Atex Enclosures · Atex Delvalle

Our explosion protection Ex enclosures and equipment are comprehensive and widely configurable. Reliable in use and convenient to install, their overall quality

[Contact Us](#)



Explosion-proof Distribution Box

China Explosion-proof Distribution Box catalog of Anti-Corrosion Electrical Control Box 6 Holes Aluminum The Explosion-Proof Distribution Box Power Instrument Box Industry Water, Exd lic

[Contact Us](#)

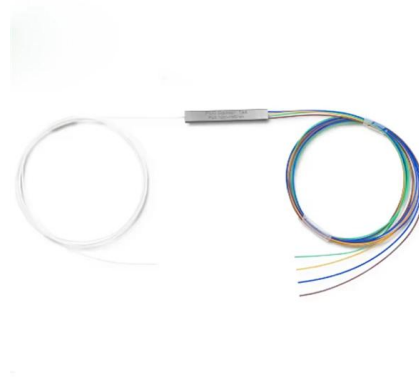




Distribution Boxes

Distribution Boxes BXM (D)51 Series Explosion proof Distribution Boxes Lighting/Power (Ex d e IIB) Distribution Boxes BXM (D)53 Explosion proof

[Contact Us](#)



Explosion-Proof Distribution Box , Product Center

Explosion-proof distribution boxes are designed to safely control and distribute electrical power in hazardous environments, preventing ignition risks.

[Contact Us](#)



Ex-Proof & Flameproof Enclosures & Junction Box , Supermec

All explosion-proof enclosures, lighting or power distribution boxes are manufactured using the latest technologies, both mechanical and electrical, using materials able to resist in most highly corrosive

[Contact Us](#)



Explosion Proof Distribution Box , ATEX Transformer Supplier

We supply certified explosion proof distribution box & ATEX Transformer -Appleton, ATKON, CZ, CEAG, brands for safe and reliable industrial use.

[Contact Us](#)



Explosion Proof Distribution Box & Electrical Enclosures

Durable Hexlon Explosion Proof Distribution Boxes and Electrical Enclosures, IECEx and ATEX certified for Zone 1 and Zone 2.

[Contact Us](#)



Explosion-Proof Corrosion-Resistant Distribution Box BXM (D)8030

BXM(D) 8030 Explosion-Proof Corrosion-Resistant Distribution Box, designed for hazard zones, ensures safe power control and prevents ignition risks.

[Contact Us](#)

What is Explosion Proof Distribution Box?

Conclusion: Ensuring Safety with Explosion Proof Distribution Boxes Explosion Proof Distribution Boxes are indispensable in ensuring safety and operational continuity

[Contact Us](#)

50km/spool



ATEX/IECEx Certified Explosion Proof Junction Box

Prolux provides you with the No.1 quality ATEX & IECEx certified explosion proof junction box at the best-discounted rates. We are the top ex. proof junction boxes

[Contact Us](#)



Distribution box solutions for explosion-proof environments in

Explosion-proof distribution boxes represent where regulatory wisdom meets engineering excellence. What appears as simple protective enclosures are actually sophisticated safety systems honed

[Contact Us](#)



Explosion-Proof Distribution Boxes & Panels Manufacturer

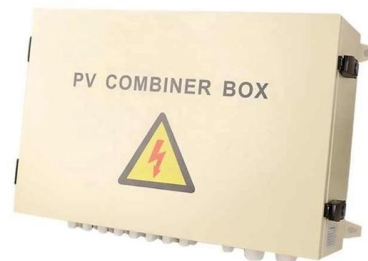
The explosion-proof distribution box safely delivers power in hazardous zones (oil, gas, chemical plants) with rugged, spark-resistant casing--ATEX/IECEX, IP66 certified for reliable operation in explosive

[Contact Us](#)

Explosion Proof Power Distribution Boxes

Flameproof and explosion proof, these power overhaul distribution boxes are suitable for use in hazardous areas. Specs: Ex mark: Ex de IIC T4 Gb DIP A21 TA,T4

[Contact Us](#)



Explosion Proof Distribution Boxes Manufacturer & Supplier

Warom Explosion Proof Distribution Boxes Manufacturer & Supplier offers secure, high-performance solutions for industrial automation and electrical control systems.

[Contact Us](#)



Explosion Proof Distribution box-

We have wide range explosion proof types of air conditioners, electrical control box, CCTV camera, lamp & light fixtures, electrical equipments, and box & fittings.

[Contact Us](#)



"Explosion-proof Distribution Box"

The Explosion-proof Distribution Box is a top choice in our Power Distribution Cabinet & Box collection. Buying power distribution cabinets wholesale offers cost savings, volume discounts, and

[Contact Us](#)

Contact Us

For datasheets, pricing, or custom fiber access solutions, please visit:
<https://www.frindel.es>