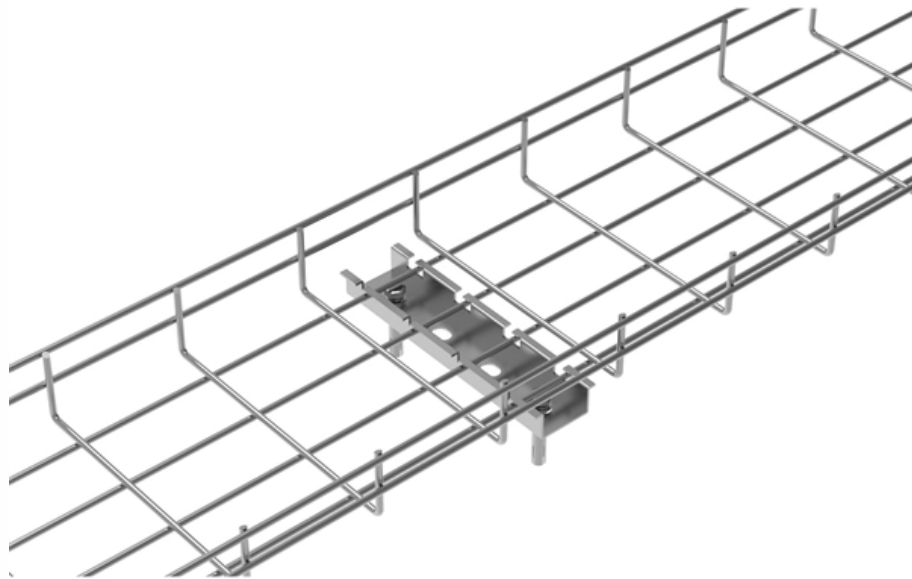


# **Recommended Two-Optical- Electrical 8-Electrical Switch**





## Recommended Two-Optical-Electrical 8-Electrical Switch

---



### 2 optical and 8 electrical switches

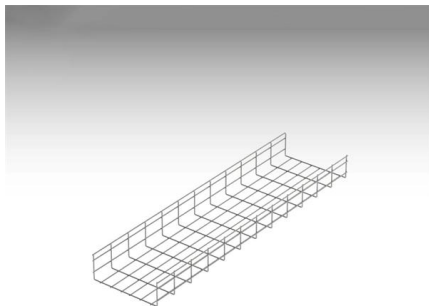
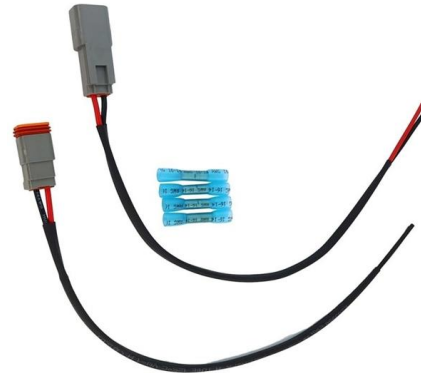
Supports redundant backup dual power input  
Supporting IP40 protection, the aluminum alloy body is specially designed for harsh and demanding industrial environments

[Contact Us](#)

### Fiber Optic Ethernet Switch with 2 Fiber Ports & 8 UTP

What is a 2 fiber port 8 LAN port fiber optic Ethernet switch? It is a hybrid Ethernet switch that integrates two SFP fiber ports (1.25 Gbps) and eight RJ45 UTP ports

[Contact Us](#)



Grid Cable for marine and offshore applications

### Types of Switches: Complete Engineering Guide for 2025

This technical guide details various types of switches, highlighting their configurations, functionality, emerging technologies, and selection criteria for choosing a right one for your application!

[Contact Us](#)

### Two-dimensional 8 × 8 optical switch structure.

Two-dimensional 8 × 8 optical switch structure. We propose a new type of two-dimensional multichannel optical switch that uses polarization controllers and



### **Hybrid optical switching: best of both worlds , Lightwave**

The optical switch is the core of an intelligent, optical transport network. It enables in-service, seamless upgrade from an electrical-switch core to an optical-switch core.

[Contact Us](#)



### **2-Optical 8-Electric Gigabit Managed POE Switch**

FWPS2008G is a fully gigabit network managed PoE switch, which can meet the PoE power supply requirements of WIFI AP, IP camera, WIFI bridge, IP phone

[Contact Us](#)



### **Optical Switches**

The following, major part of the chapter co-vers MEMS-based switches including 2D and 3D switches, switching matrices and wavelength selective switches as well. The chapter concludes with a brief

[Contact Us](#)





## Gigabit Ethernet Fiber Switch

Gigabit Ethernet fiber switch 8 port optical 1000Base-X and 2 port 10/100/1000M 1000Base-T electrical, single mode fiber, multimode fiber

[Contact Us](#)



## A reconfigurable optical/electrical interconnect architecture for large

Abstract Hybrid optical/electrical interconnects, using commercially available optical circuit switches at the core part of the network, have been recently proposed as an attractive

[Contact Us](#)

## A Review of Silicon-Based Integrated Optical Switches

The optical switch is an essential part of optical integrated circuits, with broad applications in optical communications and networks, optical computing,

[Contact Us](#)



## 2x2 Optical Switch

2x2 Full Opto-Mechanical Optical Switches Description The 2x2F Bi-directional Fiber Optic Switch connects optical channels by redirecting 2 incoming optical signals

[Contact Us](#)



**2 electric 8 light optical fiber switches  
photoelectric switches Fiber**

2 electric 8 light optical fiber switches  
photoelectric switches Fiber Optic Media  
Converter Converts Ethernet to fiber, fiber to  
copper/Ethernet, ensuring optimum network  
scalability for connecting two or

[Contact Us](#)



**Gigabit 8 optical 2 electrical industrial  
grade Ethernet switch**

Compliant with FCC, CE, and ROHS standards,  
this switch operates in temperatures from -40°C  
to 85°C, ensuring robust performance in harsh  
environments. Its compact design allows for easy

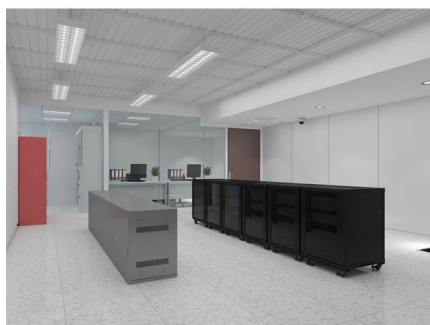
[Contact Us](#)



**Introduction to all-optical switching**

What is an all-optical switch? An all optical switch  
is a device that allows one optical signal to  
control another optical signal, i.e. control of light  
by light. The above definition of an all-optical  
switch is

[Contact Us](#)



**Optical Switches - types, electro-optic,  
acousto-optic,**

Electrical actuation: Most switches are controlled  
electrically, for example, through electro-optic or  
thermo-optic effects. All-optical control: Some  
advanced switches

[Contact Us](#)



## 2-Optical 8-Electric Gigabit Managed POE Switch FWAI2008GX

FWAI2008GX is a fully gigabit network managed PoE switch, which can meet the PoE power supply requirements of WIFI AP, IP camera, WIFI bridge, IP phone and other types of equipment. The

[Contact Us](#)



## Optical-Electrical-Optical (O-E-O) Switches , part of Optical Switching

This chapter introduces recent developments of optical& #x2010;electrical& #x2010;optical (OEO) switches that have proved to be a very promising technology for switching WDM signals, with an eye

[Contact Us](#)

## Optical Switch Multichannel Single Mode Multi Mode

Overview The OPTELLENT OPS-Series Optical Switch is a cost-effective easy-to-use all-optical switch solution for demanding applications in fiber optic instrumentation and communication. The rack

[Contact Us](#)



## 2-Optical 8-Electric POE Gigabit Industrial Switch

When the main network transmission link fails, the system automatically switches to the backup link, and the fault recovery time can reach 10ms at the fastest.

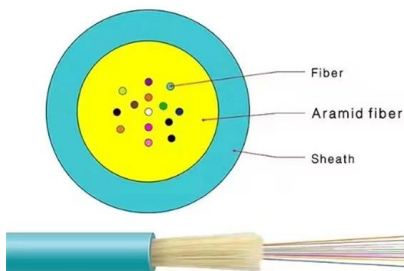
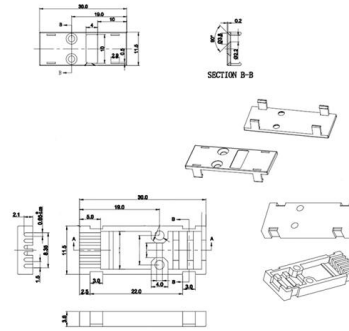
[Contact Us](#)



### Optical Switches , Keysight

An optical switch is a precision instrument that directs optical signals from one fiber path to another without converting light into an electrical signal. It acts as a routing mechanism for fiber optic

[Contact Us](#)



### Industrial Ethernet Switches Gigabit 2 Optical 8 Electrical

u It meets industrial-grade operation standards and has an average trouble-free operation of more than 300,000 hours? u Working Power Supply:DC 12-52V provides reverse polarity protection? u In the

[Contact Us](#)

### Gigabit 2 Optical 8 Electrical Managed Industrial Ethernet Switch

BL168GM-SFP is a network managed industrial Ethernet switch that complies with FCC, CE and RoHS standards. Support 2 gigabit optical ports and 8 gigabit electrical ports; Support Ethernet layer 2



[Contact Us](#)

### Optical Switches: Making Optical Networks a Brilliant Reality

Definition With their improved efficiency and lower costs, optical switches provide the key for carriers to both manage the new capacity dense wavelength division multiplexing (DWDM) provides as well as



[Contact Us](#)



## All-optical switching for data centers

Optical to electrical to optical (OEO) packet circuit switches e connection-oriented data streams from input to output connections. Both requi ing converted back to an optical signal (3) for onward

[Contact Us](#)



## How do optical switches compare to electrical switches in terms of

Optical switches and electrical switches differ significantly in terms of performance and efficiency, particularly in data center environments. Here's a detailed comparison:  
Performance: Data

[Contact Us](#)

## 2-Optical 8-Electric Gigabit Managed POE Switch

2-Optical 8-Electric Gigabit Managed POE Switch FWPS2008G 8 \* 10/100/1000Mbps RJ45 ports+ 2 \* Gigabit SFP ports FWPS2008G is a fully gigabit network

[Contact Us](#)



## How to Wire a Two Way Electrical Switch: A Step-by

Learn how to wire a 2 way switch in electrical circuit and understand the working mechanism of two-way switches. Get step-by-step instructions and diagrams for

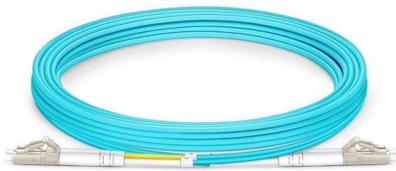
[Contact Us](#)



## Gigabit 2 Optical Port 8 Electrical Port Industrial Ethernet Switch (GL)

Gigabit 2 Optical Port 8 Electrical Port Industrial Ethernet Switch (GL-7028G Series) Use high-quality photoelectric integrated modules to provide good optical and electrical characteristics Ensure reliable

[Contact Us](#)



### Differences Between Switch Optical Ports and Electrical

Switches come in three types: those with only electrical ports, those with only optical ports, and those with a mix of both electrical and optical ports.

[Contact Us](#)

## Contact Us

---

For datasheets, pricing, or custom fiber access solutions, please visit:  
<https://www.frindel.es>