

Ranking of Peruvian Smart Distribution Box Companies





Ranking of Peruvian Smart Distribution Box Companies



WORLD WIDE WEB JOURNAL Home

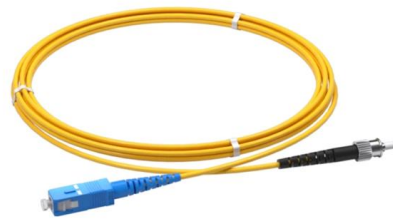
O'Reilly & Associates, Inc. 103A Morris St.
Sebastopol, CA United States

[Contact Us](#)

Top Distribution Companies

Find reliable distribution companies for warehousing, fulfillment and transport. Compare verified providers and hire the right partner for your supply chain.

[Contact Us](#)



PERUVIAN SMART TECHNOLOGY CORPORATION Overview

Peruvian Smart Technology Corporation (PSTC) is a leading company in the distribution of innovative technology products in the Peruvian market. "Beyond Innovation" is not just our slogan, but our guid

[Contact Us](#)

Top Logistics Companies in Peru

Connect with the best Logistics & Supply Chain Consulting companies. Compare expert profiles, client success stories & proven results to choose a verified provider that's right for you.

[Contact Us](#)



Optimization of Technologies for Implementing Smart Metering in

Abstract Read online This research evaluates the economic feasibility of implementing smart metering (SM) systems in Peruvian electricity distribution companies, prioritizing the maximization of the

[Contact Us](#)



17 AC Distribution Box Manufacturers in 2026

This section provides an overview for ac distribution boxes as well as their applications and principles. Also, please take a look at the list of 17 ac distribution box manufacturers and their company rankings.

[Contact Us](#)



Meter Distribution Box

In 2025, the five largest players accounted for approximately % of revenue. This report provides a comprehensive view of the global market for Meter Distribution Box, covering total sales volume,

[Contact Us](#)





The 10 Peruvian Companies with the Best Supply Chains

The document presents the ranking of the 10 best supply chains of Peruvian companies according to a study. The top five are Backus, Saga Falabella, Tottus, Alicorp, and Pamolsa.

[Contact Us](#)



Top 14 Distribution Companies in Peru (2026) , ensun

By addressing these factors, individuals and companies can better navigate the complexities of the distribution industry in Peru and capitalize on its potential growth.

[Contact Us](#)

Optimization of Technologies for Implementing Smart

This research evaluates the economic feasibility of implementing smart metering (SM) systems in Peruvian electricity distribution companies, prioritizing the

[Contact Us](#)



Top Distribution Companies In Peru In 2026

Explore a curated list of Top Distribution Companies In Peru In 2026 with company details and employee contacts including emails, phone numbers, locations, and colleagues.

[Contact Us](#)



Peru Distribution System Market (2025-2031) , Companies, Size,

Peru Distribution System Market (2025-2031) , Companies, Size & Revenue, Growth, Segmentation, Analysis, Share, Industry, Value, Outlook, Competitive Landscape, Trends, Forecast

[Contact Us](#)



Top Logistics Companies in Peru

Find supply chain management firms in Peru. Compare logistics experts to optimize procurement, warehousing, and distribution -- hire the best team.

[Contact Us](#)

Revolutionising Peru's energy distribution: pioneering flexibility

Revolutionising Peru's energy distribution: pioneering flexibility, dynamism and demand-driven management On behalf of German international cooperation for development in a project

[Contact Us](#)



Single Row Flat Distribution Box

The global market for Single Row Flat Distribution Box was estimated to be worth US\$ million in 2025 and is projected to reach US\$ million, growing at a CAGR of %from 2026 to 2032.

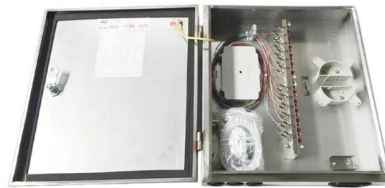
[Contact Us](#)



Top 10 Set-Top Box Manufacturers Worldwide

Shenzhen Skyworth Digital Technology Co., Ltd. is a China-based consumer electronics company that manufactures digital television products. It researches, produces, and sells digital television set-top

[Contact Us](#)



Photovoltaic Distribution Box

A Photovoltaic Distribution Box, also known as a PV distribution box or solar combiner box, is an essential component in a photovoltaic (PV) system that helps manage the electrical connections and

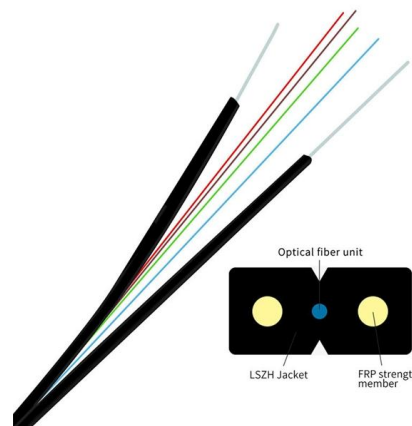
[Contact Us](#)



Peru Smart Power Distribution Systems Market (2025-2031)

Peru Smart Power Distribution Systems Market is expected to grow during 2025-2031

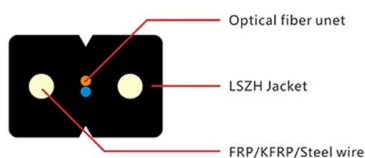
[Contact Us](#)



Top 10 Smart Home Distribution Boxes for Modern Homes

Compare the top 10 smart home distribution boxes for modern homes. Find the best home distribution box for safety, energy savings, and smart control.

[Contact Us](#)





PERUVIAN SMART TECHNOLOGY CORPORATION

En Peruvian Smart Technology Corporation (PSTC) creemos que la innovación va más allá del producto: está en cada proceso, canal y experiencia que conecta a

[Contact Us](#)



12 Top Logistics/Supply Chain Companies in Peru · May 2026

Detailed info and reviews on 12 top Logistics/Supply Chain companies and startups in Peru in 2026. Get the latest updates on their products, jobs, funding, investors, founders and more.

[Contact Us](#)

The Best Warehousing & Distribution Companies in Peru

To assist you in your search for a partner, we've compiled this list of the top distribution companies in Peru. Browse descriptions, feedback, and awards to find which can best suit your company's needs.

[Contact Us](#)



9 Delivery Box Manufacturers in 2026

9 Delivery Box Manufacturers in 2026 This section provides an overview for delivery boxes as well as their applications and principles. Also, please take a look at the list of 9 delivery box manufacturers

[Contact Us](#)



Distribution Boxes Market Report , Global Forecast From 2025 To 2033

The company's emphasis on digitalization and smart grid technologies is driving its growth in the distribution boxes market. ABB is a leading provider of power and automation technologies, offering

[Contact Us](#)



Distribution Boxes

Report Scope This report aims to provide a comprehensive presentation of the global market for Distribution Boxes, focusing on the total sales volume, sales revenue, price, key companies market

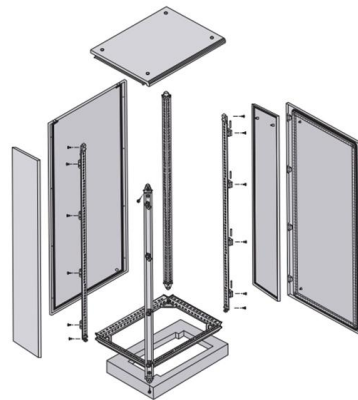
[Contact Us](#)



Top Residential Distribution Box Companies & How to Compare

The residential distribution box sector is evolving rapidly, driven by smart home integration, safety standards, and energy efficiency demands. Choosing the right vendor can be

[Contact Us](#)



Global Photovoltaic Distribution Box Market Research Report 2024

The report will help the Photovoltaic Distribution Box manufacturers, new entrants, and industry chain related companies in this market with information on the revenues, production, and average price for

[Contact Us](#)

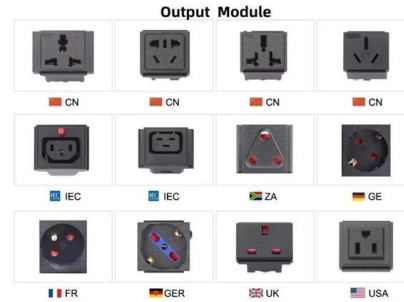


Peru Freight And Logistics Companies



This report lists the top Peru Freight And Logistics companies based on the 2023 & 2024 market share reports. Mordor Intelligence expert advisors conducted

[Contact Us](#)



Why Choose Us



Global Power Distribution Box Market Research Report 2024

The integration of smart technologies, such as IoT (Internet of Things) capabilities, remote monitoring, and automation, has been impacting the power distribution box market.

[Contact Us](#)



Contact Us

For datasheets, pricing, or custom fiber access solutions, please visit:
<https://www.frindel.es>