

# **Rack Installation of Grid Cable Trays**





## Rack Installation of Grid Cable Trays

---



### **A Guide to Installing and Supporting Electrical Cable Trays**

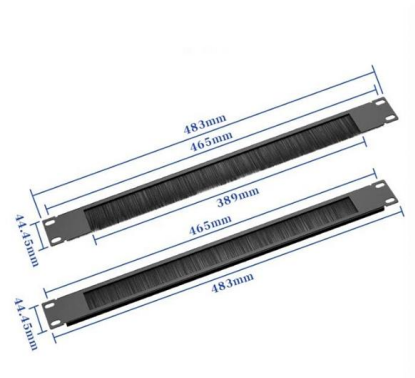
A professional guide to installing electrical cable tray systems per NEC Article 392. Covers support, securing cables, and fill calculations.

[Contact Us](#)

### **Basor Electric**

Telecommunication runway is an important component in a well-planned network. Basor Cable Ladder Runway is designed to support telecommunication or power

[Contact Us](#)



### **Cable Tray Technical Guide A practical guide to product selection and**

This guide for engineers and installers has been developed by ABB as a practical reference regarding cable tray characteristics, installation, and requirements.

[Contact Us](#)



### **Data Center Cabling Guide , Snake Tray**

Snake Tray is the only manufacturer of prefabricated cable tray segments that speeds installation and reduces labor costs by up to 50%. Snake Tray products

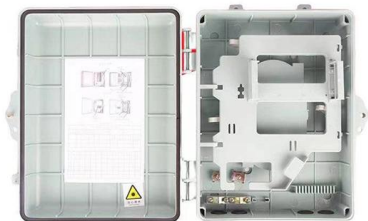
[Contact Us](#)



### **SA-RKCB18 (Wyr-Grid Overhead Cable Tray).qxp**

The Wyr-Grid® Overhead Cable Tray Routing System has been proven to reduce labor costs by 50% when benchmarked against existing wire basket and ladder rack systems.

[Contact Us](#)



### **Cable tray**

In the electrical wiring of buildings, a cable tray system is used to support insulated electrical cables used for power distribution, control, and communication.

[Contact Us](#)



### **Best Practices for Installing Cables in Trays**

Learn the best practices for installing cables in trays. This guide covers essential steps, technical requirements, and key details

[Contact Us](#)





## What is a Cable Rack: Types, Materials and Installation

A cable rack, often professionally referred to as a cable tray or cable ladder, is the foundational support system for routing and managing power and

[Contact Us](#)



## Cable tray

In the electrical wiring of buildings, a cable tray system is used to support insulated electrical cables used for power distribution, control, and communication. Cable

[Contact Us](#)

## Practices for grounding and bonding of cable trays

A bare copper equipment grounding conductor should not be placed in an aluminum cable tray due to the potential for electrolytic corrosion of the aluminum cable tray in a moist environment. For such

[Contact Us](#)



## SA-RKCB18 (Wyr-Grid Overhead Cable Tray).qxp

Panduit offers industry-leading Cable Routing Systems as part of comprehensive, integrated Data Center Solutions to effectively manage and protect high-performance communication, computing,

[Contact Us](#)



## WyrGrid Overhead Cable Tray Routing System

The Wyr-Grid® Overhead Cable Tray Routing System reduces the number of individual components and labor required to create common connections. Fewer components and less labor equal a simpler

[Contact Us](#)

### STAINLESS STEEL WIRE MESH

Long-lasting and durable

Comprehensive specifications

Customized non-standard products



## Mastering Cable Tray Installation , Step-by-Step Guide for a Seamless

Learn how to install cable trays correctly. Get the ultimate step-by-step guide on setting up a seamless and reliable cable management system.

[Contact Us](#)

## Best Practice Guide to Cable Ladder and Cable Tray Systems

This publication is intended as a practical guide for the proper and safe\* installation of cable ladder systems, cable tray systems, channel support systems and associated supports.

[Contact Us](#)



## Guide to cable support systems

Four different mesh cable tray types are available, depending on the requirements, area of application and cable quantity. The innovative Magic connection system of the GRM and G-GRM mesh cable

[Contact Us](#)



## Understanding Grid Cable Trays and Their Applications

Explore the applications, benefits, and features of grid cable trays in industries like manufacturing, data centers, and residential homes. Learn how to

[Contact Us](#)



## Essential guide for Cable Tray Installation in Data Centres

Essential guide for Cable Tray Installation in Data Centres. Learn planning, materials, types, installation steps, safety, and maintenance for data halls.

[Contact Us](#)



## Instruction

Before loading equipment on to the cable tray rack, be sure to torque all mounting hardware provided with the rack to a setting of 75in-lbs. The maximum load capacity of the cable tray rack should not

[Contact Us](#)



## A Guide to Installing and Supporting Electrical Cable Trays

This guide covers the critical steps, from selecting the right electrical cable tray and performing accurate cable fill calculations to managing a safe cable pull through

[Contact Us](#)

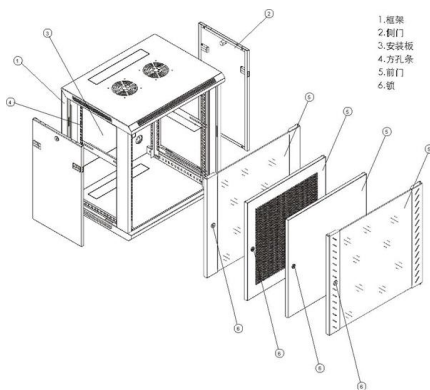




## How to Install Cable Tray: A Comprehensive Guide to Different Cable

Welcome to our step-by-step guide on installing cable trays! In this video, we'll explore the different types of cable trays available and provide detailed instructions for their installation.

[Contact Us](#)



## Everything You Need to Know About Cable Trays , Cable Trays

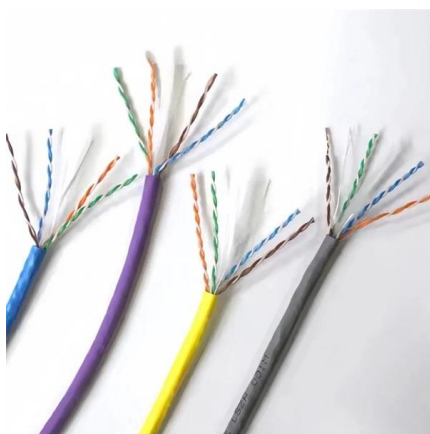
Discover the different types of cable trays, their many benefits when used in electrical wiring and network cabling, installation processes, and essential maintenance tips for keeping your

[Contact Us](#)

## What is a Cable Rack: Types, Materials and Installation

Choosing the correct cable rack is critical for safety, longevity, and future maintenance. This comprehensive guide breaks down the essential

[Contact Us](#)



## cable tray Manufacturer/Producer , B2B companies and suppliers

Matching products Cable trays Wire mesh cable trays in various designs Cable duct grid for installation technology Cable trays Cable support systems View portfolio (84)

[Contact Us](#)

## Installation Of Cable In Cable Trays: NEC, Safety



Installation of Cable in Cable Trays ensures proper routing, cable management, NEC compliance, grounding, fire safety, and load capacity.

[Contact Us](#)



### FactSheet

FactSheet Electrical Safety Hazards of Overloading Cable Trays According to the 2005 National Electrical Code® (NEC), a cable tray system is " unit or assembly of units or sections and

[Contact Us](#)

### What are Cable Trays? Everything you need to know

Discover everything about cable trays in industrial settings: types, benefits, installation tips, and compliance with NEC and fire resistance standards.

[Contact Us](#)



### Cable tray manual

These documents: ANSI/NEMA VE-1, Metal Cable Tray Systems; NEMA VE-2, Cable Tray Installation Guidelines; and NEMA FG-1, Non Metallic Cable Tray Systems, are an excellent industry resource in

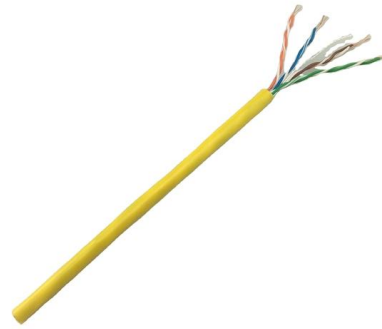
[Contact Us](#)



## Best practice guide to cable ladder and cable tray

Cable ladder and cable tray systems The following recommendations are intended to be a practical guide to ensure the safe and proper installation of

[Contact Us](#)



## Annex I

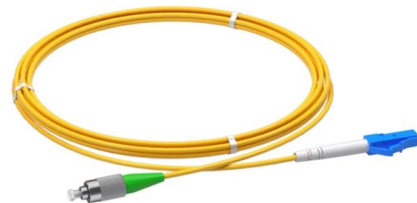
This document deals with cables trays, cables and connector installation and segregation, cable trays earthing and E.M.C. directives. These rules shall be applied in the cabling engineering workflow for

[Contact Us](#)

## GUIDE CABLE TRAYS TECHNICAL

If it has excellent electrical continuity and is integrated in the installation's equipotential bonding system, a metal cable tray reduces the coupling's impact and thus contributes to good EMC of the electrical

[Contact Us](#)



## Contact Us

---

For datasheets, pricing, or custom fiber access solutions, please visit:  
<https://www.frindel.es>