

Price of tunnel bridges in Myanmar





Price of tunnel bridges in Myanmar



Yangon-Dala river crossing bridge 80% complete

The Myanmar-Korea Friendship Yangon-Dala River crossing Bridge construction project, which began in May 2019 and is being carried out by the

[Contact Us](#)

Latest Myanmar Bridges Tenders

Discover fresh opportunities for Bridges tenders daily and win lucrative contracts across Myanmar. Bidding for Bridges tenders in Myanmar is extremely lucrative for companies of all sizes.

[Contact Us](#)



135 Transport & Infrastructure

ram to Myanmar's Chin State. Once complete, the project will open a sec-ond road ink between India and Myanmar. While a short road bridge already connects the Indian town of Moreh with Tamu in

[Contact Us](#)

PowerPoint Presentation

The construction project of Myanmar-Thai Friendship Myawaddy Bridge -2 (21.4 km) is ongoing with the support of the Government of Thailand. The total project cost is the Grant Aid of 3900 million Baht of



Cost Overrun Risks in Myanmar Bridge Projects

COST OVERRUN RISKS OF BRIDGE CONSTRUCTION IN DELTA AREA AND TIDAL ZONE IN MYANMAR - Free download as PDF File (.pdf), Text File (.txt) or

[Contact Us](#)

DETAILED DESIGN STUDY ON THE BAGO RIVER BRIDGE

The construction cost is estimated in accordance with Japanese guideline and standard (specifically as shown Table 1.1.1), because there is no cost estimate standard for bridge work in Myanmar.

[Contact Us](#)



List of bridges in Myanmar

^ The Ava Bridge (also called Inn Wa Bridge or Inwa Bridge) was the only bridge spanning the 2,200 kilometres (1,400 mi) of the Irrawaddy River in Myanmar until

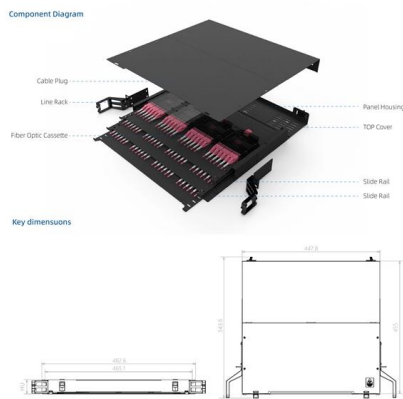
[Contact Us](#)



Myanmar tunnels tenders get latest Myanmar tunnels tenders and bids

Find Myanmar tunnel bids, tenders, procurement, RFPs, RFQs, ICBs. A more comprehensive list of sectors and CPV covered by GlobalTenders can be found in the Country Sectors Section.

[Contact Us](#)



Goteik Viaduct

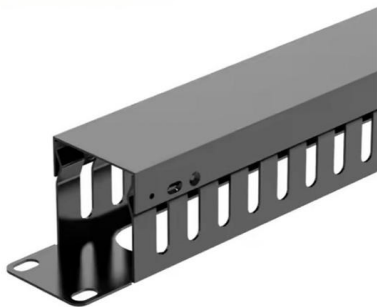
The Goteik Viaduct is a railway trestle in Myanmar (formerly Burma), built during the British colonial era. It spans a gorge in the Pegu Range about 100

[Contact Us](#)

Suspension Bridges of Myanmar

This is a list of all 37 bridges from the suspension bridge inventory for the country Myanmar. Wherever you see a Bridgemeister ID number click it to isolate the bridge on its own page.

[Contact Us](#)



Bago River Bridge Project Cost Estimates

The document provides estimates for the costs of constructing a bridge over the Bago River in Myanmar. It includes estimates for procurement, construction quantities, and costs for various project

[Contact Us](#)

Myanmar's rush of bridge openings



propped up by Japan, South Korea

YANGON -- A series of massive bridge projects in Myanmar backed by Japan and South Korea are being completed in succession, despite the yearslong turmoil roiling the war-torn country.

[Contact Us](#)



Work commencing on new Myanmar bridge , Global Highways

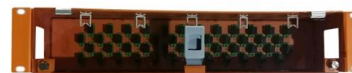
Work is starting on a major new bridge project in Myanmar. Costing US\$188.17 million, the Yangon-Dalla bridge will carry four lanes of traffic and provide a major transport link.

[Contact Us](#)

Current Situation and Issues of Myanmar's Bridge Work

This report outlines the current situation of, and issues within Myanmar's bridge construction based on field survey on bridges in Myanmar that the Ministry of Land, Infrastructure and Transport

[Contact Us](#)



The Project for Capacity Development of Road and Bridge

Under such circumstances, the Government of Myanmar requested a technical cooperation project, "The Project for Capacity Development of Road and Bridge Technology (hereinafter referred to as "the

[Contact Us](#)



In progress/planning (road) , Myanmar Transport Infrastructure Monitor

In progress/planning (road) 69 Bridges on Tamu-Kyigone-Kalewa road construction Tamu Township and Kalewa Township in Sagaing Region

[Contact Us](#)



Goteik viaduct

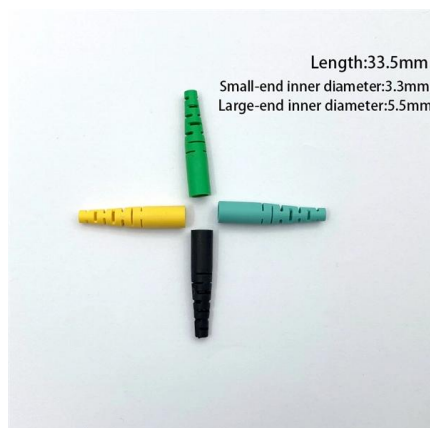
The Goteik viaduct (Burmese: ????????????????, MLCTS: gu.hti.ta.aa., also known as Gohteik viaduct or Gok Hteik viaduct) was a railway trestle over the Goteik Gorge of the Myitnge River in western

[Contact Us](#)

Bridge Price in Myanmar

The average bridge export price stood at \$1,494 per ton in 2022, increasing by 21% against the previous year. Overall, the export price posted a prominent increase.

[Contact Us](#)



Why Tunnels in The US Cost Much More Than

Why is tunnel construction more expensive in the United States than anywhere else in the world? And how can the cost be reduced?

[Contact Us](#)



List of bridges in Myanmar

^ Also called Korea-Myanmar Friendship Bridge.
^ Also called Ayeyarwady Bridge or Yadanabon Bridge. ^ The bridge was replaced by a steel box girder bridge with

[Contact Us](#)



THE 5 BEST Myanmar Bridges to Visit (2026)

This rather impressive structure had the honour of being the longest bridge in Myanmar, built in the 30's (British engineering) suffered server damage in the 40's to curb the advance of Japanese forces.

[Contact Us](#)



Gokteik Railway Viaduct

The largest railway trestle in the world upon its completion in 1901, the Gokteik Viaduct is the highest bridge in Myanmar. Located in the center of the

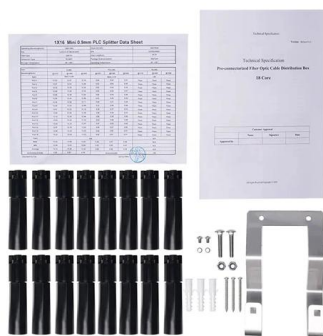
[Contact Us](#)



Bridge construction progresses in Myanmar with Japanese and South

A series of major bridge infrastructure projects in Myanmar, financed and supported by Japan and South Korea, are nearing completion despite ongoing political unrest in the country.

[Contact Us](#)

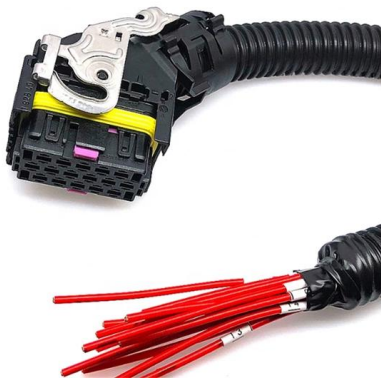




Chapter 10 Project Cost Estimates

The estimation of project cost for the construction of Bago River Bridge is based on the results of the preliminary design of this Preparatory Survey and rough quantity estimation of work items.

[Contact Us](#)



Development of life cycle costing framework for highway bridges in Myanmar

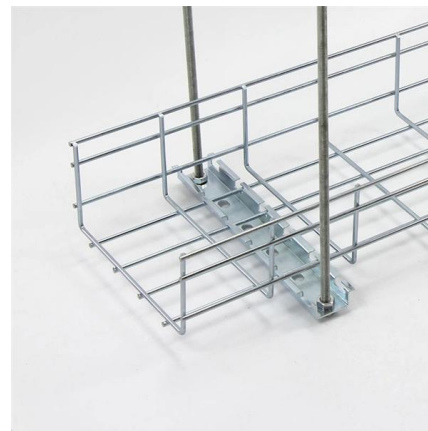
The purpose of this paper is to demonstrate a stepwise procedure for developing a comprehensive framework for LCCA of highway bridges in Myanmar. This paper also aims at

[Contact Us](#)

Myanmar Bridges and Tunnels Tenders and Bids Notice Search , AI

Comprehensive RFP and RFQ Tender Listings - View global business opportunities with real-time access to tender details, RFTs, and EOIs. AI-powered latest active tenders search - Country

[Contact Us](#)



Gokteik Viaduct, Myanmar

One of Burma's most stunning man-made marvels, Gokteik Viaduct in Myanmar is a spectacular railway bridge over 100 metres high and nearly 700 metres long.

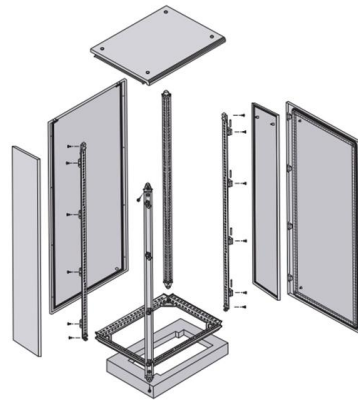
[Contact Us](#)



Crossing the Goteik Viaduct - The Highest Railway Bridge in Myanmar

Riding the highest railway bridge in Myanmar to cross the Goteik Viaduct is a heart-racing, three-hour train journey. Here's how to do it.

[Contact Us](#)



Contact Us

For datasheets, pricing, or custom fiber access solutions, please visit:
<https://www.frindel.es>