

Price of overhauling power distribution boxes





Overview

Typical cost range for panel box replacement spans a broad band depending on amperage and upgrades. A straightforward swap on a 100A or 125A main with minimal wiring changes can fall in the \$1,000 to \$2,500 range.

Understanding distribution box cost involves examining the comprehensive investment required for electrical distribution systems that serve as crucial infrastructure components in residential, commercial, and industrial settings.

With building materials evolving rapidly and power demands increasing, choosing the right distribution box has never been more crucial. range:

Thalassa - product name: Thalassa PLS - device short name: PLS - device application: multi-purpose - product or component type: insulating modular box - enclosure nominal height: 360 mm - enclosure nominal width: 360 mm - enclosure.



Price of overhauling power distribution boxes



Breaker Box Replacement Cost Guide 2026 - LatestCost - Real-Time Price

Homeowners typically see a wide range in costs when replacing a breaker box, driven by service upgrades, panel type, and local labor rates. The price you pay will hinge on amperage,

[Contact Us](#)

Types and prices of distribution boxes in 2025_COLORIA GROUP

At the heart of this system lies the humble distribution box - your building's nerve center for electricity. With building materials evolving rapidly and power demands increasing, choosing the

[Contact Us](#)



Distribution Box Manufacturer, Best Power Distribution

Distribution Box Manufacturer DOHO is a major manufacturer of distribution boxes and products in China. We have been providing quality OEM/ODM service to

[Contact Us](#)



Distribution boxes

PCE Mobile Power Distribution Box - IMST Series
£ 373.55 (inc. VAT) Add to basket

[Contact Us](#)



Terminal & Distribution Boxes , Enclosures , BPX

Discover Terminal & Distribution Boxes at BPX. High-quality Enclosures with fast UK delivery and expert UK support for your industrial projects.

[Contact Us](#)



New Panel Box Cost Guide 2026 - LatestCost - Real-Time Price

Prices vary across U.S. regions due to labor rates, permitting costs, and material availability. In the Northeast, expect higher labor and permit fees; the South and Midwest tend to be

[Contact Us](#)



Power Distro: 63/3 185H2 Power Distribution Hire

Check out or available generators below. Dry Hire price plus VAT. Delivery, setup and collection calculated upon quote request. Type 185H2 Box fitted with. If you have any questions or would like to

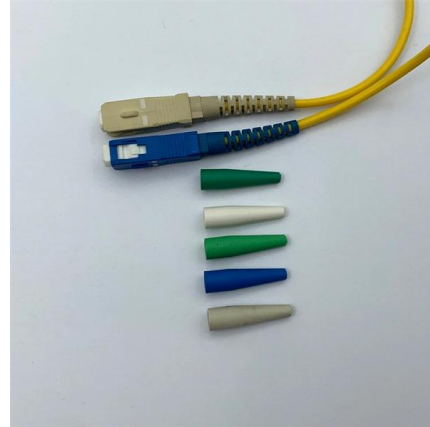
[Contact Us](#)



How Much Is A Distribution Box A Complete Buyers Guide

The Price Landscape: Breaking Down the Costs
When you start looking for a distribution box, you'll quickly realize the price range is wider than a highway. You might find a small plastic unit for the

[Contact Us](#)



Efficient Power Distribution Boxes , Nijsha Enterprise

Nijsha Enterprise manufactures heavy-duty power distribution boxes for commercial & industrial use--modular, safe, and built for demanding environments.

[Contact Us](#)

Breaker Box Installation Cost Guide 2026 - LatestCost - Real-Time Price

Prices for replacing or installing a new breaker box vary widely based on panel type, amperage, and local permitting costs. The main cost drivers include the panel model, labor time, and

[Contact Us](#)



Wholesale Power Distribution Boxes from Manufacturers, Power

Dive into our online wholesale power distribution boxes products catalog on globalsources !
Source over 59 power distribution boxes for sale from manufacturers with factory direct prices, high quality &

[Contact Us](#)



How to Install a Distribution Box--A Comprehensive

An electrical distribution box, also known as a power distribution box, panelboard, or consumer unit, is the core of an electrical system. It has three

[Contact Us](#)



Southwire 19800102 Mini X-Treme Box Portable

From the Manufacturer Coleman Cable's Mini X-Treme Box provides more compact and less costly work-site power distribution than other full size models. Used

[Contact Us](#)



Distribution Box Cost Guide 2024: Comprehensive Pricing, Features

Discover complete distribution box cost analysis including pricing factors, advanced features, safety benefits, and smart technology innovations. Get expert insights on ROI, installation costs, and long

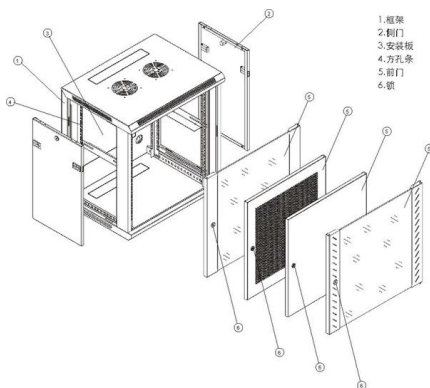
[Contact Us](#)



Electrical Panel Box Replacement Cost Guide 2026

Typical cost range for panel box replacement spans a broad band depending on amperage and upgrades. A straightforward swap on a 100A or 125A main with minimal wiring

[Contact Us](#)



Electric Breaker Box Cost Guide 2026 - LatestCost - Real-Time Price



Homeowners typically pay for a new or upgraded breaker box based on the panel size, service main, and labor. The cost range blends materials, permits, and installation time, with price

[Contact Us](#)



Explore Distribution Boxes for Every Setting with Different Types

So in this blog, we will be talking about distribution boxes, their prices, their types, and more. What are The Different Types of Distribution Boxes? Distribution boxes come in a few key

[Contact Us](#)

Understanding Distribution Boxes: A Comprehensive Guide

A distribution box, also known as a power distribution box or electrical distribution box, is used to distribute electrical power safely to multiple

[Contact Us](#)



Distribution Box Replacement Cost Guide 2026

Key cost drivers include panel amperage, indoor vs outdoor location, wiring length, and whether a full panel upgrade or rerouting is needed. The article outlines cost ranges, per-unit pricing,

[Contact Us](#)



What is a Distribution Box? - A Comprehensive Guide

A distribution box organizes and controls power flow, ensuring safety and efficiency in electrical systems.

[Contact Us](#)



Distribution Box - Alladin Store

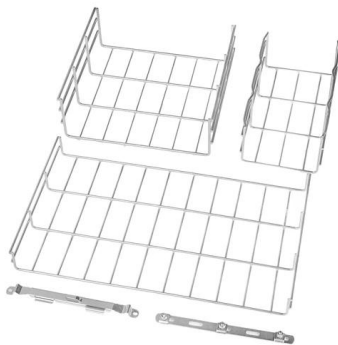
Ensure safe and reliable power distribution with high-quality waterproof distribution boxes from Mora Bulgaria. Available in various sizes (5, 8, 12, 18, and 24-way),

[Contact Us](#)

Power Distribution Boxes Explained Simply

Learn what a power distribution box is, how it works, key components, types, and why it's vital for safe and efficient electrical systems.

[Contact Us](#)



Explore Distribution Boxes for Every Setting with Different Types

Distribution boxes act as the central hub, receiving the main electrical supply and dividing it into designated circuits for lighting, outlets, and appliances. They provide a safe and organized way

[Contact Us](#)



Distribution Box price in Pakistan - Powerhouse Express

A distribution box, also known as a distribution board, is a critical component in any electrical setup. It functions as a hub that houses circuit breakers, switches, and

[Contact Us](#)



Contact Us

For datasheets, pricing, or custom fiber access solutions, please visit:
<https://www.frindel.es>