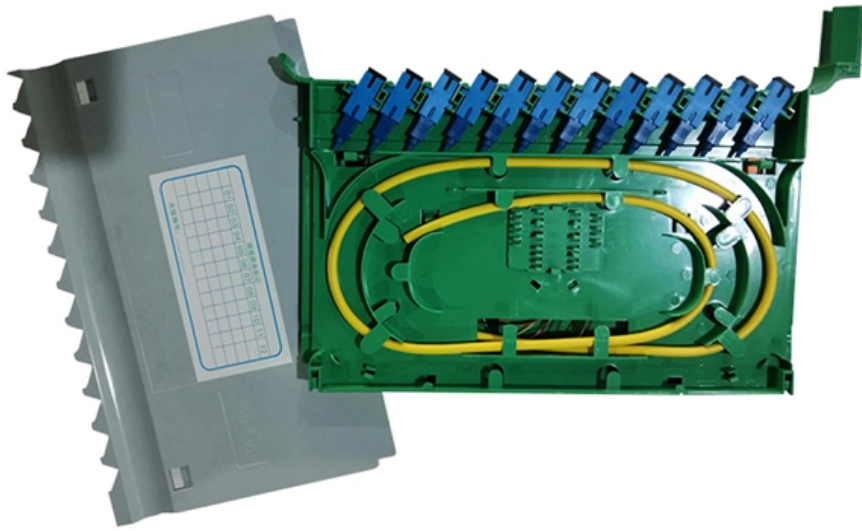


Price of Metallurgical Spectrometer in Egypt





Price of Metallurgical Spectrometer in Egypt



Spectrophotometer In Egypt , Spectrophotometer

We stand amidst the trusted Spectrophotometer manufacturers in Egypt, ensuring precision, durability, and performance. Our state-of-the-art manufacturing facilities

[Contact Us](#)

Spectrometer for the metallurgical industry

Find your spectrometer for the metallurgical industry easily amongst the 23 products from the leading brands (Bruker, Shimadzu, Elementar,) on DirectIndustry, the industry specialist for your

[Contact Us](#)



Egypt's Spectrometers and Spectrophotometers Market Report 2025

In 2024, the Egyptian spectrometers and spectrophotometers market decreased by -10% to \$9.6M for the first time since 2021, thus ending a two-year rising trend. Over the period under review,

[Contact Us](#)

Spectrometers

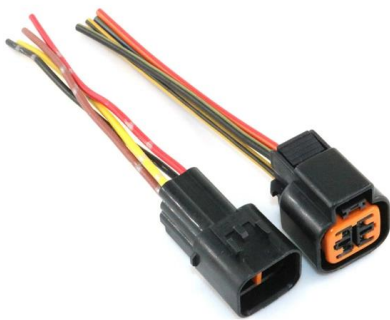
Shop online for Spectrometers - Light Measurement from a huge selection of popular items in Egypt. Souq is now Amazon.eg. Free shipping & Cash on delivery available on eligible purchase.



Atomic Absorption Spectrometers - EGA-TECH Egypt

Atomic Absorption Spectrometers Our product line for AAS covers up the complete range of modern atomic absorption spectrometry. There are flame AAS, graphite furnace AAS, hydride and HydrEA

[Contact Us](#)



Metal Spectrometer Price

Find the best metal spectrometer price for accurate metal analysis. Connect with top Indian suppliers for spectro gold testing machine price. Enquire now!

[Contact Us](#)



Buy Mass Spectrometers in Egypt , Franance Health Systems

In Egypt, the demand for advanced analytical capabilities provided by mass spectrometers is growing across a diverse range of sectors. From cutting-edge research institutions to critical healthcare

[Contact Us](#)





Home Page

Perfect Technology is proud to be the exclusive importer and agent in Egypt for several of the world's leading names in laboratory analysis equipment.

[Contact Us](#)



benchtop metal analyzer SPECTRO M01

From incoming materials to in-process testing and final inspection, this advanced arc/spark optical emission spectrometry (OES) analyzer ensures accurate and

[Contact Us](#)



Spectrophotometer Unit

Spectrometer unit includes: UV/Vis/NIR spectrophotometer. Fluorescence Spectrophotometer. UV/Vis/NIR spectrophotometer UV/Vis/NIR

[Contact Us](#)



Metal Analysis Spectrometer at INR 150000

Metal Analysis Spectrometer INR 15,00,000 Get Latest Price Spectrometers allow for metal analysis throughout the metal life cycle from metal production to

[Contact Us](#)





Buy Mass Spectrometers For Sale, New & Used Prices

Buy new and used mass spectrometers on LabX. Auctions for Mass Specs and analytical instruments. GC-MS, LC-MS, Ion Trap, Triple Quad, and more Mass Sp

[Contact Us](#)



Best Spectrophotometer Supplier in Egypt

They provide competitive pricing options, making cutting-edge spectrophotometry technology accessible to a wide range of budgets. In the world of research, time is of the essence.

[Contact Us](#)

Wyzxr Uv Vis Spectrophotometer N4s Spectrometer Light Meter

Shop Wyzxr Uv Vis Spectrophotometer N4s Spectrometer Light Meter Laboratory Spectrometer at best prices at Desertcart EGYPT. FREE Delivery Across EGYPT. EASY Returns & Exchange.

[Contact Us](#)



FTIR Spectrometers Archives

Professionalism, productivity, passion and business intelligence are features that have distinguished us every day since 1997. read more

[Contact Us](#)



X-Ray Fluorescence Spectrometer - QualiX-M1

The QualiX-M1 comes equipped with a high-performance UHRD or SDD detector and an advanced vacuum system, making it ideal for various testing applications,

[Contact Us](#)



Metal Spectrometer

Find here Metal Spectrometer, Metal Spectroscopy manufacturers, suppliers & exporters in India. Get contact details & address of companies manufacturing and

[Contact Us](#)

X-Ray Fluorescence , SGS Egypt

X-ray fluorescence (XRF) spectroscopy is a classical method for the determination of the major and minor elements as well as some trace elements. We offer you



[Contact Us](#)

Ordering information

| NO. | 1 | 2 | 3 | 4 | 5 | 6 |
|--|---------------|---------------|---------------|---------------|---------------|---------------|
| Model | SP12001 | SP12002 | SP12004 | SP12005 | SP12002 | SP12004 |
| Product name | Patch Panel | Patch Panel | Patch Panel | Patch Panel | Patch Panel | Patch Panel |
| Illustration | | | | | | |
| HU | 1 | 2 | 4 | 1 | 2 | 4 |
| Maximum number of ports | 144 | 288 | 576 | 144 | 288 | 576 |
| Product size (including module and wiring) | 482.07.311714 | 482.07.311763 | 482.07.311717 | 482.07.311744 | 482.07.311761 | 482.07.311717 |
| Standard color code | RAL9005 | RAL9005 | RAL9005 | RAL9005 | RAL9005 | RAL9005 |

Spectrophotometer in Egypt , Best Spectrophotometer from Egypt

Discover a wide selection of high-quality Spectrophotometer in Egypt from trusted suppliers. Explore our range of Best Spectrophotometer from Egypt and find the perfect fit for your needs.

[Contact Us](#)



Spectrometer For Chemical Lab, 190-1100 nm

Metlab Equipments & Engineering Systems - Offering Spectrometer For Chemical Lab, 190-1100 nm at INR 850000 in Ahmedabad, Gujarat. Get Laboratory

[Contact Us](#)



Spectrometers and Spectrophotometers Price in Egypt

In 2024, the average spectrometers and spectrophotometers import price amounted to \$15 thousand per unit, growing by 6.4% against the previous year. Over the period under review, the

[Contact Us](#)

Spectrometer in Egypt, Spectrometer Manufacturers Suppliers Egypt

We are recognized among the best manufacturers of Spectrometer in Egypt and become a trusted platform to buy standardized solutions that give clients value for money. Our focus on delivering the

[Contact Us](#)



Mass Spectrometer Costs: How Much Should You Budget?

In this guide, we'll break down the factors that influence mass spectrometer pricing, compare cost ranges for different system types, and explore

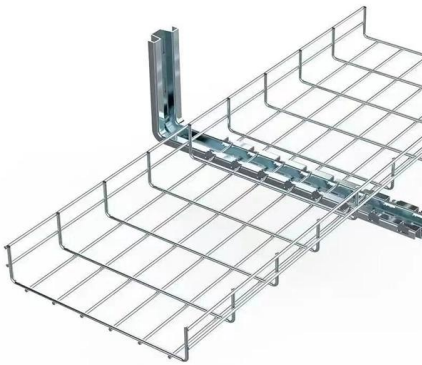
[Contact Us](#)

Materials testing & metallurgical analysis



Materials testing & metallurgical analysis We perform all standard tests and full metallographic characterisation. Additionally, we offer fracture mechanics

[Contact Us](#)



Spectrophotometer In Egypt , Spectrophotometer

Spectrophotometer Manufacturers In Egypt We stand amidst the trusted Spectrophotometer manufacturers in Egypt, ensuring precision, durability, and

[Contact Us](#)

FTIR Spectrometers Market in Egypt , Report

Egypt FTIR Spectrometers - Market Analysis, Forecast, Size, Trends and Insights Need a sample before you buy? Request a sample copy or share customization requirements for this report.

[Contact Us](#)



Contact Us

For datasheets, pricing, or custom fiber access solutions, please visit:
<https://www.frindel.es>