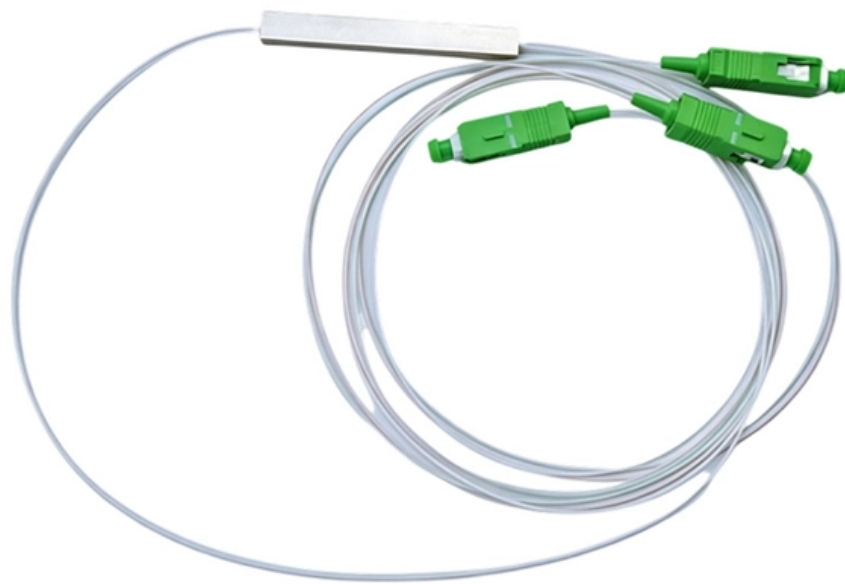


Power of Optical Cable Survey Instrument





Overview

Fiber optic power meters measure the average optical power out of an optical fiber. Power meters typically consist of a solid state detector (silicon for short wavelength systems, germanium or InGaAs for long wavelength systems), signal conditioning circuitry and a digital display. Optical power, required for measuring source power, receiver power and, when used with a test source, loss or attenuation, is the most important parameter and is required for almost every fiber optic test. Optical power meters for fiber optic networks: For the installation, maintenance, and testing of single-mode and multi-mode networks and cables.



Power of Optical Cable Survey Instrument



Fiber Optic Testing , Optical Power Meters (OPM)

INNO Instrument V30 Optical Multi Meter combines optical power measurement, visual fault location, and cable continuity testing in a handheld fiber optic test

[Contact Us](#)

Submarine Cable Surveys - Seaforth Geosurveys Inc

Submarine Cable Surveys Seaforth has conducted numerous cable route surveys for telecommunications fibre-optic cables, power cables & pipelines, for a variety of

[Contact Us](#)



15 Best Optical Power Meters for Fiber Techs in 2025 --

Here's a comprehensive guide to the 15 best optical power meters for fiber techs in 2025, offering expert insights and reviews to help you find the

[Contact Us](#)

Enhanced Optic Fiber Tester Optical Cable Survey

TRK200-40A Enhanced optical cable survey instrument Optical Power Meters offer superior performance for the testing of DWDM components, AWG & PLC



Fiber Optic Power Meters and Fault Locators , Fluke

Monitoring and optimizing fiber power with tools like optical power meters and fiber testers from Fluke Networks is essential for maintaining the integrity and

[Contact Us](#)



Fiber Optic Measuring Instruments / Measuring Instruments

Optical power meter $-70 \div +10\text{dBm}$ Compact and an easy-to-use testing instrument for optical fiber networks, which can be used for absolute optical power

[Contact Us](#)



Optical Power Meters , Any Network , Kingfisher

Optical power meters for any network. A range of handheld meters with choice of styles. Best accuracy, flexibility and easy to use.

[Contact Us](#)



Power meters for fiber networks , EXFO



Power meters are a toolbox essential for all technicians installing or maintaining any type of fiber networks. From general-purpose meters to meters optimized for certain types of networks--we have

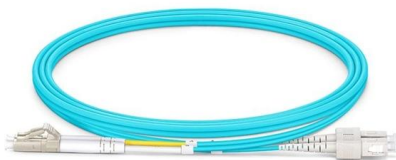
[Contact Us](#)



Optical Power Meter: How To Choose And Use It

A simple guide to selecting and using an optical power meter, covering key features and tips for accurate measurements in fibre optic networks.

[Contact Us](#)



OTDR, Light Source, And Power Meter: Which To

Choosing the right tool for your fibre optic project is crucial. Understand the differences between OTDR, light sources, and power meters to

[Contact Us](#)



Optical Power Meters from AFL measures optical power in fiber optic

Optical Power Meter (OPM) from AFL measures optical power in fiber optic networks, also measures insertion loss of MM or SM cables if used with Light Source.

[Contact Us](#)



Optical Power Meters

VIAMI offers fast, cost-effective, and easy-to-use power meters for installation and maintenance of single mode and multimode fiber optic networks and advanced, photonic-layer power meters for lab and

[Contact Us](#)



Why Is A Submarine Power Cable Route Survey

Although damage protective precautions for submarine power cables need to be considered, the optimal lifespan of the cable will be the main goal.

[Contact Us](#)

Fiber Optic Power Meters and Fault Locators , Fluke

An optical power meter is a device employed to measure the power of an optical signal in a fiber optic network. This tool is indispensable in installing, testing,

[Contact Us](#)



Fiber Optic Test Instruments, Fiber Optic Test Equipment

Fiber optic test equipment is used to certify and troubleshoot fiber optic networks. Common used fiber optic test instruments includes fiber optic power meter, fiber optic light source, Visual fault

[Contact Us](#)



Select the right test equipment for your fiberoptic needs

From certifying system integrity to troubleshooting cable, test instruments offer laboratory accuracy in field-portable packages.

[Contact Us](#)



Optical Power Meters: Understand Their Uses and Internals

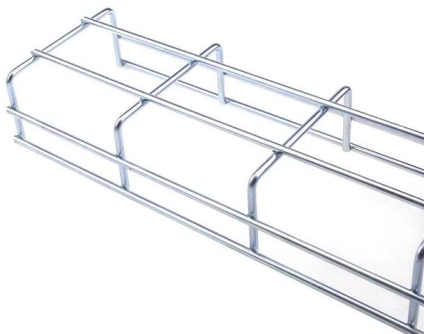
It essentially measures the instantaneous total energy of all the photons coming out of a fiber optic cable. Optical power meters

[Contact Us](#)

Route Design/Cable Laying Technologies for Optical Submarine Cables

3. Route Design Based on the results of marine route surveys and information regarding existing structures (such as fish nets etc.), the cable route is designed by taking into consideration the ease

[Contact Us](#)



Top 10 Test Tools for Fiber Optic Transceiver Technicians

Here's a detailed look at the top 10 test tools every fiber optic transceiver technician should have. 1. Optical Time Domain Reflectometer

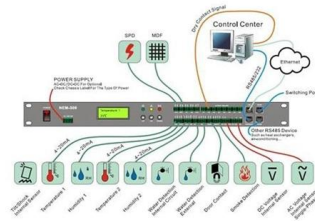
[Contact Us](#)



How to Test a Fiber Optic Cable: Best Methods & Tools

Want to know how to test a fiber optic cable? We'll look at the most common fiber testing methods and how to use them properly.

[Contact Us](#)



Types of Fiber Optic Tester

OTDR Optical time-domain reflectometer is a measuring instrument used for fiber optic testing and analysis. It can detect and locate events in the

[Contact Us](#)

Optical current transducers for electrical power systems

Abstract A literature survey of Optical Current Transducers (OCTs) with particular emphasis on electric power systems measurements has been performed. This report is intended to provide information



[Contact Us](#)

Fiber Optic Power Meters

Power level measurements ensure reliable data transmission in fiber optic

[Contact Us](#)

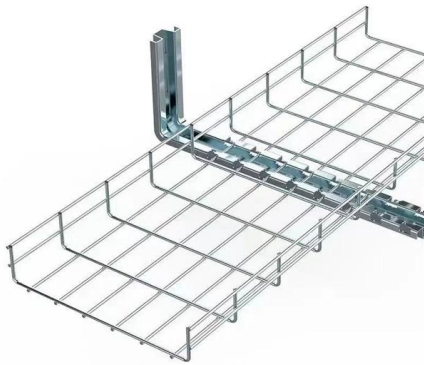


23 Optical_Cable_Pre-Construction_Survey



Abstract Pre-construction site survey is one of the most important steps in the engineering and placement of a new optical cable. During this survey the placing supervisor will be able to observe

[Contact Us](#)



Choosing the Right Optical Power Meter for Your Fiber

Conclusion Choosing the right optical power meter is essential for maintaining high-performance fiber optic networks. By considering factors such

[Contact Us](#)

Measure Optical Power FOA-3a

© 2025, The Fiber Optic Association, Inc.
Measure Optical Power FOA-3a.docx, 1/12/25, 1

[Contact Us](#)



Fiber Optic Power Meters

In this category, you will find instruments for numerous network and cable types. In addition to power meters for telecommunications, CATV, and GPON networks,

[Contact Us](#)



Cable & Pipeline Route Surveys

Expertise, resources and experience Gardline specialise in seabed mapping services to support the planning and installation of undersea telecommunication and

[Contact Us](#)



Contact Us

For datasheets, pricing, or custom fiber access solutions, please visit:
<https://www.frindel.es>