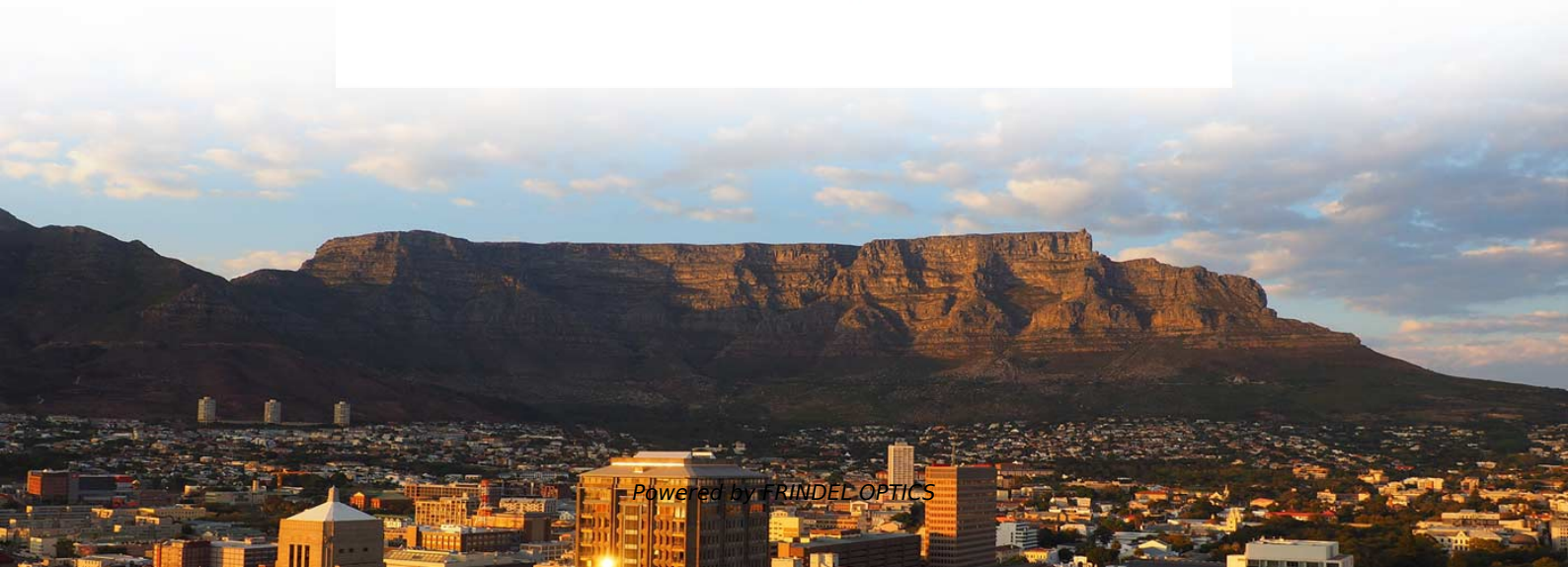




**FRINDEL OPTICS**

# **Performance of the power distribution box in the Singapore workshop**





## Performance of the power distribution box in the Singapore worksh

---



### Compliance Ready in Singapore: Mastering Standards

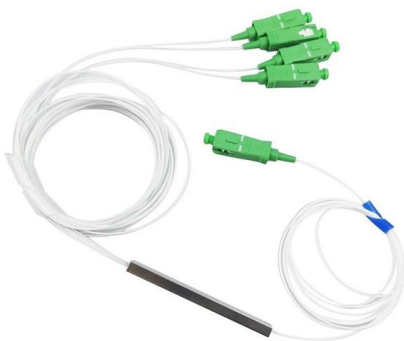
This blog unpacks the most important standards shaping Singapore's power infrastructure, debunks common misconceptions, and offers practical

[Contact Us](#)

### Professional DB Box Installation Services in Singapore

Reno Guys offers reliable DB box installation services in Singapore, ensuring safe and efficient electrical systems for your home or business. Contact us today!

[Contact Us](#)



### Distribution Box Installation and Replacement Singapore

Expert installation and replacement of distribution boxes, ensuring safe and efficient electrical systems for homes and businesses across Singapore. Contact us.

[Contact Us](#)

### How an Electrical Distribution Box Works in Singapore

Conclusion An electrical distribution box works to supply power to the important parts of a building. It controls, distributes, and protects electricity flow. Understanding



### **Electrical Distribution Board Installation (DB Box /**

Distribution Board DB Box Repair Electrician Singapore HDB - Yishun Choose Daylight Electrician Singapore Daylight Electrician Singapore is

[Contact Us](#)



### **Power Distribution Boxes Explained Simply**

Discover the essentials of a Power Distribution Box--how it works, key types, benefits, and tips to ensure safe, efficient electrical power management.

[Contact Us](#)



### **Tai Sin Power Distribution**

Ensuring efficient and reliable power distribution, with key considerations such as easy maintenance and colour-coded identification. Bolster energy-efficiency in power-dense installations, with an

[Contact Us](#)





## Distribution Box Installation Singapore , Home Maintenance

Upgrade your power system safely with expert distribution box installation in Singapore. Licensed electricians, code-compliant wiring & reliable service.

[Contact Us](#)



## Electrical DB Box Installation in Singapore at Affordable

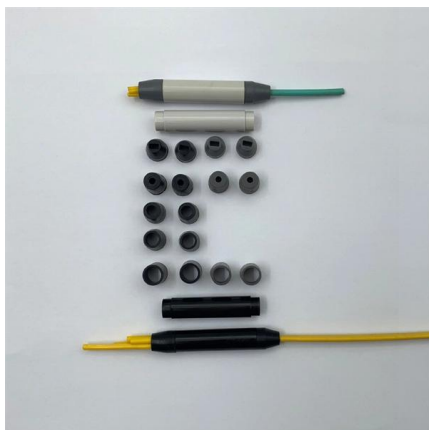
Distribution Box Installation Distribution boxes act like safe guards for the wires in a space. They break the power flowing through a building down into circuits that

[Contact Us](#)

## DB Installation Singapore , Safe & Professional Electrical Setup (2025)

DB Box Installation in Singapore: What Homeowners Must Know (2025 Guide) 24 July 2025 Your distribution board (DB) is one of the most important parts of your home's electrical system and yet it's

[Contact Us](#)



## How to Install a Distribution Box in Singapore?

Guide to distribution box installation in Singapore, covering planning, wiring, circuit setup and safety. Ensure proper setup or consult a licensed electrician.

[Contact Us](#)



## Distribution Box Installation , Singapore

In Singapore, a standard distribution box is installed in every HDB flat. There is a main switch rated at 40 amps, as well. And for any renovation or

[Contact Us](#)



## AshwinD24's gists · GitHub

GitHub Gist: star and fork AshwinD24's gists by creating an account on GitHub.

[Contact Us](#)



## How an Electrical Panel Works , Daylight Electrician

Most homeowners usually don't make it a point to familiarise themselves with how an electrical panel works, but it is important to know such

[Contact Us](#)



## Distribution Board Installation

What Is An Electrical Panel? An electrical panel is also known as an electrical distribution board (DB) box. It's also known as a breaker box. They are often

[Contact Us](#)



### **wordlists/files/mywordlist.txt at master**

Wordlists for Fuzzing. Contribute to maverickNerd/wordlists development by creating an account on GitHub.

[Contact Us](#)



### **Planning of Electric Power Distribution**

When regarding power distribution requirements in terms of the building automation, fire protection, and safety systems installations, it becomes soon obvious that the better the individual installations are

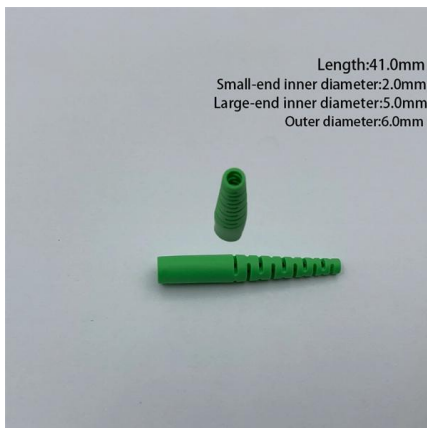
[Contact Us](#)



### **Electrical Power Distribution Workshop - Pertecnica Engineering**

Electrical Power Distribution Workshop Overview of the Workshop Pertecnica Engineering's Electrical Power Distribution Workshop is an intensive, hands-on program designed to provide professionals

[Contact Us](#)



### **Power Distribution Boxes Explained Simply**

Learn what a power distribution box is, how it works, key components, types, and why it's vital for safe and efficient electrical systems.

[Contact Us](#)



### Singapore , Smart City Project with Intelligent Power

For a smart city project in Singapore, we delivered custom intelligent power distribution boxes designed to integrate remote monitoring and alert

[Contact Us](#)



### Design of Electrical Installations , Singapore Institute of Technology

He is a specialist consulting engineer in the areas of mission-critical electrical design, power quality, EMC, and safety. He conducted many power failure investigations of data centres.

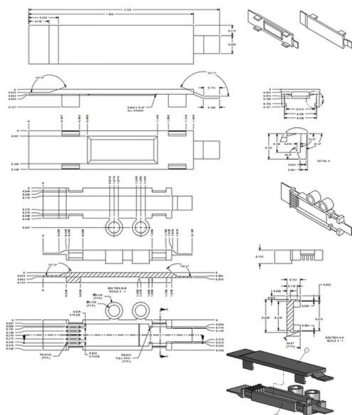
[Contact Us](#)



### Power Distribution , SGS Singapore

With our breadth of expertise and global reach, SGS offers a wide range of services that will help you assure the performance of your power distribution network, from design and construction through to

[Contact Us](#)



### DB Box (Distribution Board Box) Installation

Reliable Performance: Properly installed DB boxes provide reliable distribution of electricity. This minimizes disruptions and ensuring consistent power supply to

[Contact Us](#)



## Singapore Electricity Network , SINGAPORE INSTITUTE OF POWER

- o Understand the transmission and distribution of electricity in the Singapore's electricity network.
- o Comprehend the various types of network configuration and types of equipment implemented for the

[Contact Us](#)



### Modular Power Distribution

Schneider Electric Singapore. Browse our products and documents for Modular Power Distribution - Agile, Safe, Efficient Power distribution system for IT equipment in any size data center or high

[Contact Us](#)



### Singapore Electricity Distribution Overview

The document discusses Singapore's electricity industry, including generation, transmission, distribution and retail. Key players like Energy Market Authority, SP

[Contact Us](#)



### How To Installation Distribution Box: Efficient Guide

How To Installation Distribution Box: Efficient Guide Electricity is key to our modern comforts in Singapore. Yet, we often overlook the safety it brings. The distribution box is a silent protector in your

[Contact Us](#)



## Chapter 4 Analyzing Power Distribution Systems

Now you can achieve optimum performance and efficiency in the design of electric systems for virtually any size or type of building or industrial facility utilizing the state-of-the-art methodologies detailed in

[Contact Us](#)



## Distribution Box Installation Singapore , Electrical Service

Uneven distribution of electrical loads can lead to inefficiencies and potential risks. Our load balancing services involve a meticulous assessment of your electrical

[Contact Us](#)

## Distribution board

Spower Electrician Singapore provides high-quality Electrical Distribution Board, Electrical Wiring and Power Point / Socket installation, Electrical Switches.

[Contact Us](#)



## Contact Us

---

For datasheets, pricing, or custom fiber access solutions, please visit:  
<https://www.frindel.es>