



FRINDEL OPTICS

Patch Cord Fiber Optic Structure Diagram





Patch Cord Fiber Optic Structure Diagram



Fiber-optic patch cord

A fiber-optic patch cord is a fiber-optic cable capped at each end with connectors that allow it to be rapidly and conveniently connected to telecommunication equipment.

[Contact Us](#)

SC vs LC Patch Cords: Key Differences & Uses

Fiber optic patch cords are short-length cables (typically 1-10 meters) with connectors on both ends, used to link network devices like switches, routers, transceivers, and ODFs (Optical



[Contact Us](#)



Fiber Patch Panels: A Beginner's Guide

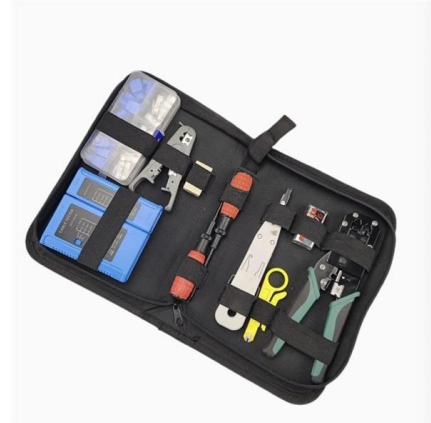
Fiber optic patch panels are enclosures that act as a distribution hub for fiber cable. A bulk (multi-strand) fiber cable enters the patch panel and then each fiber strand is separated into individual strands or

[Contact Us](#)

Fiber Optic Patch Cord:A Beginner's Guide

Fiber optic patch cord is a length of optical cable that connects FTTH devices. It equips with fiber connectors such as LC, SC, FC, ST, E2000 etc.,

[Contact Us](#)



FIBER PATCH CABLES DATASHEET

Fiber optic patch cables are ideal for supporting high speed telecommunication network fiber applications. They are manufactured and tested in compliance with TIA 604 (FOCIS), IEC 61754 and

[Contact Us](#)



Ultimate Guide to Fiber-Optic Patch Cables: Types, Selection, and

Learn about fiber optic patch cables, their types, construction, applications, and how to choose the right one for your network needs.

[Contact Us](#)



Fiber-optic patch cord

A fiber-optic patch cord is constructed from a core with a high refractive index, surrounded by a coating with a low refractive index, that is strengthened by aramid yarns and surrounded by a protective jacket.

[Contact Us](#)



LC-LC Fiber Optic Patch Cord

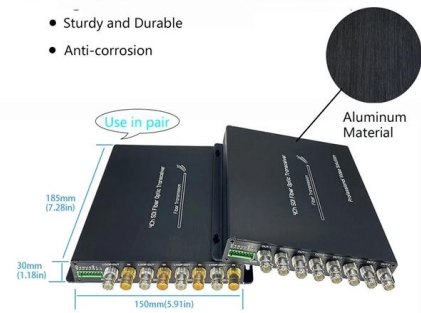


patch cord is also called fiber optic connector. It is dismountable, flexible and featured with small size, low insertion loss and lower price. Meanwhile, it is an indispensable

[Contact Us](#)

High Quality Aluminum Housing with Compact Size

- Sturdy and Durable
- Anti-corrosion



What is a Fiber Optic Patch Cord? - Types, Explained

A fiber optic patch cord is a cable that is terminated at both ends by connectors to connect to the respective communication optical port.

[Contact Us](#)



Understanding Common Fiber Optic Patch Cord

When it comes to building or upgrading a fiber optic network, choosing the right patch cords is crucial for long-term performance and reliability. Let's

[Contact Us](#)



What is a Fiber Optic Patch Cable

Fiber patch cables, also known as fiber optic patch cables or simply patch cords, are essential components in optical communication systems.

[Contact Us](#)



Common Types of Fiber Patch Cords and How to Choose the Right

Uniboot and Push-Pull Tab designs Uniboot designs combine the two fibers in a single jacket. It makes the structure compact and easy to handle. While the push and pull tab designs

[Contact Us](#)



SOPTO

Fiber optic patch cords, also known as fiber optic patch cables or fiber jumpers, are indispensable components in modern optical networks. They act as the critical link for

[Contact Us](#)

Fiber Optic Patch Cords Guide , Types, Connectors

This guide will help you quickly understand the main types of fiber patch cords and how to choose the right solution for your project - and how ZION

[Contact Us](#)



Understanding Fiber Patch Cord Types

A fiber optic patch cord --also known as a fiber jumper--is a fiber cable terminated with connectors on both ends. These connectors allow quick connection between optical equipment such as switches,

[Contact Us](#)



Fiber Systems Technical Drawings

Fiber Systems Drawing Files Belden product updates Be among the first to receive important product updates, insights and news.

[Contact Us](#)



Fiber Optic Patch Cables Tutorial

Fiber optic patch cables can be divided into different types based on fiber cable mode, cable structure, connector types, connector polishing types and cable sizes.

[Contact Us](#)



Fiber Patch Panels: A Beginner's Guide

A bulk (multi-strand) fiber cable enters the patch panel and then each fiber strand is separated into individual strands or pairs of strands. These individual strands will then connect to electronic devices

[Contact Us](#)



An Overview Of Optical Fiber Cable Structure And Components

An optical fiber cable is a complex structure designed to protect fragile glass fibers that transmit digital data using light signals. This

[Contact Us](#)





The Four Major Components of the Fiber Optic Patch Cord

We define the 4 major components of a fiber optic patch cord consisting of the jacket, aramid strength members, buffer coating and optic

[Contact Us](#)



A Comprehensive Guide to Fiber Optic Patch Cables

Fiber optic patch cables are found almost everywhere; cable television networks (CATV), data centers, computer networks, and telephone networks. Fiber optic

[Contact Us](#)



Fiber Optic Patch Cord Components and Types , HOLIGHT

Learn what accessories make up fiber optic patch cords--fiber cable, housing, ferrule--and explore major types like SC, LC, FC, MPO, and more.

[Contact Us](#)



Fiber Patch Cords: A Critical Component in Modern Fiber Optic

Conclusion Fiber patch cords are an indispensable part of the fiber optic network ecosystem. Whether in single-mode or multi-mode configurations, fiber patch cords facilitate the

[Contact Us](#)

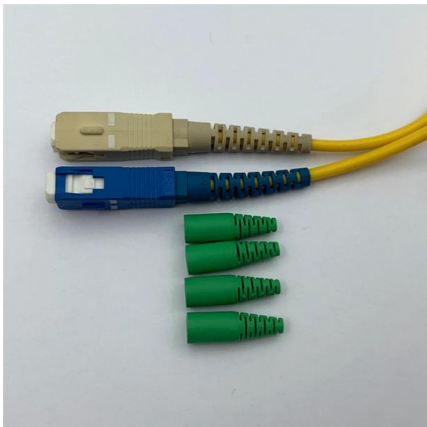




What Are Fiber Patch Cords and Their Role in Networking

Fiber patch cords are essential for connecting devices in networks, ensuring fast, reliable data transfer in telecom, data centers, and industrial

[Contact Us](#)



All Kinds of Fiber Optic Patch Cords - SC, LC, FC, ST

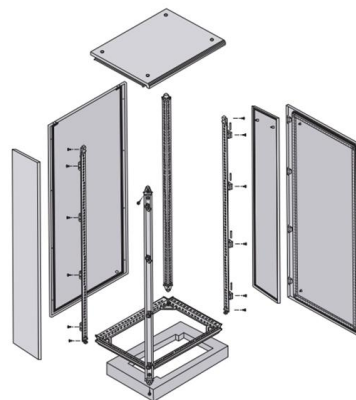
Learn about SC, LC, FC, and ST fiber optic patch cords, their uses in FTTH, telecom, and data centers, and how to choose the right type.

[Contact Us](#)

Fiber Optic Patch Cables Tutorial

Duplex fiber optic patch cables: Duplex fiber patch cable has two fibers and two connectors on each end. Each fiber is marked "A" or "B" or different colored

[Contact Us](#)



Contact Us

For datasheets, pricing, or custom fiber access solutions, please visit:
<https://www.frindel.es>