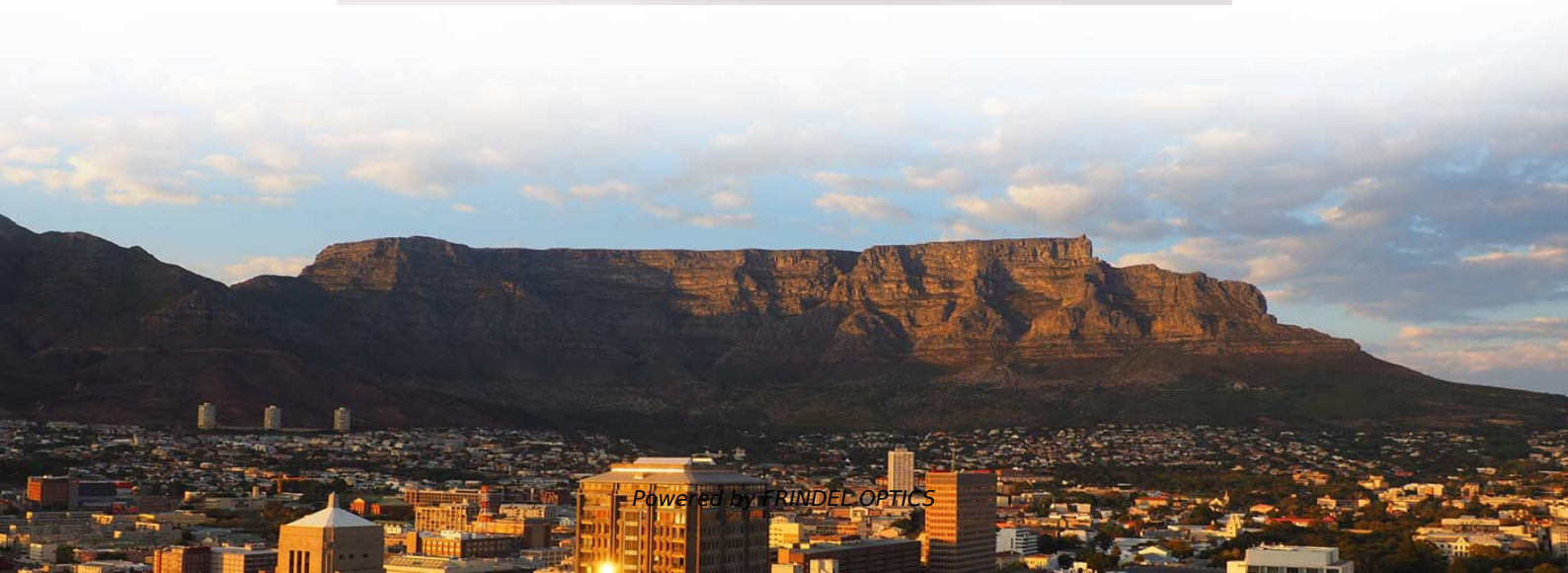


# **Outdoor Distribution Box Switch Setting Configuration**





## Outdoor Distribution Box Switch Setting Configuration

---



### Outdoor Electrical Junction Box: Types & NEC Code Requirements 2025

You'll learn what they are, why they're required, the difference between junction boxes and distribution boxes, types available (pull boxes vs splice boxes), NEC 314 sizing requirements,

[Contact Us](#)

### PoE Switch Installation Guide for Outdoor Use

In this video, we'll cover everything you need to know, from selecting the right switch to the final configuration. Ready to take your network outdoors?

[Contact Us](#)



### Size determination, installation method and wiring mode

The switch width plus 40mm on each side is the width of the electric box, the height is the switch height plus 40mm, and the depth is the switch height Depth plus 10mm.

[Contact Us](#)



### Discover Europe's digital cultural heritage , Europeana

Hier sollte eine Beschreibung angezeigt werden, diese Seite lässt dies jedoch nicht zu.

[Contact Us](#)



### Requirements And Specifications For Installation Of

The installation requirements and specifications of Distribution box involve many aspects, including site selection, fixing method, wiring specifications

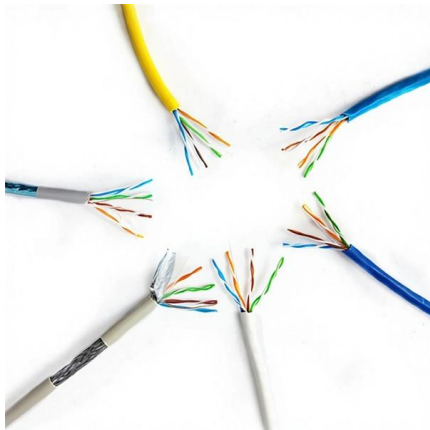
[Contact Us](#)



### Cable Distribution Box for Outdoor Distribution

Durable Outdoor Cable Distribution Box Designed for underground or outdoor distribution systems, the Cable Distribution Box offers a tamper-resistant and

[Contact Us](#)



### How to Choose a House Distribution Box , CHINT global

This article guides you through selecting a distribution box that is both affordable and safe, emphasizing key features, configuration, and practical

[Contact Us](#)



## Understanding Outdoor Power Distribution Box: A

Outdoor power distribution boxes play a vital role in ensuring that electrical power is distributed effectively and safely in these environments. In this

[Contact Us](#)



## How to Install a Distribution Box--A Comprehensive

Before starting the installation, finding a proper place for putting the distribution box is crucial, because it largely decides the safety and convenience

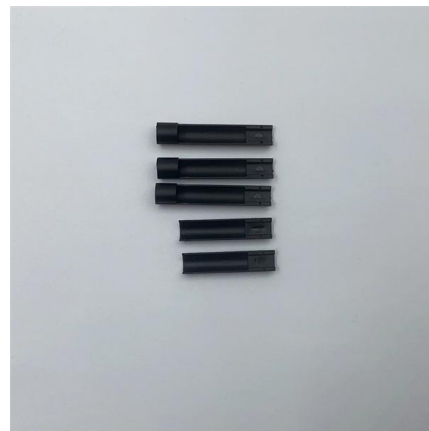
[Contact Us](#)



## The Complete Guide to Distribution Box: Installation, Types & More

Blog The Complete Guide to Distribution Box: Installation, Types & More By Admin Aug 2, 2025 No Comments # distribution box Introduction Electrical systems power our homes, offices, and

[Contact Us](#)



## How To Install Outdoor Electrical Box

Installing an outdoor electrical box is a common DIY project that can enhance your home's functionality. This box provides a secure and weather-resistant housing

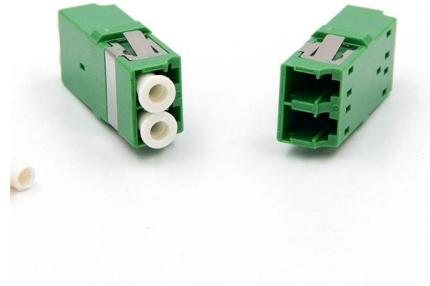
[Contact Us](#)



## Outdoor Electrical Panel Box: Expert Guide to Safe Installation

Outdoor Electrical Panel Box: Expert Guide to Safe Installation An outdoor electrical panel box, often called a subpanel, is a crucial component for distributing power to exterior locations

[Contact Us](#)



## Outdoor Lighting Switch Box: Fix Hard-to-Control Yard Lights

Learn where to place an outdoor lighting switch box, which weatherproof types to use, and how proper wiring improves yard lighting control.

[Contact Us](#)

## How to Choose an Outdoor Distribution Box? What Operation and

Smart distribution boxes are the most cost effective solution to solve your indoor or outdoor power outages. Learn about the best practices for selecting outdoor distribution boxes and

[Contact Us](#)



## Area distribution box switch

The Area box distribution switch is a unique "uninterruptable" model that includes hot swappable battery backup with smart automatic charger and power controller that assures full operation of the Area box

[Contact Us](#)



## Key Points Of Installation And Collocation Of Distribution Box In

The wire inlets and outlets in the distribution box and switch box shall be set at the lower bottom of the box. It is strictly prohibited to set them at the top, side, back or door of the box.

[Contact Us](#)



## Understanding Distribution Boxes: Your Guide to Power

Floor-Standing Distribution Boxes Meant for high capacity systems, these boxes are larger and put on the floor, making them common in industrial or

[Contact Us](#)

## Summary of key points for construction and installation of distribution

The construction and installation points of distribution boxes and switch boxes are summarized as follows: 1. Select qualified products that meet national standards and safety requirements.

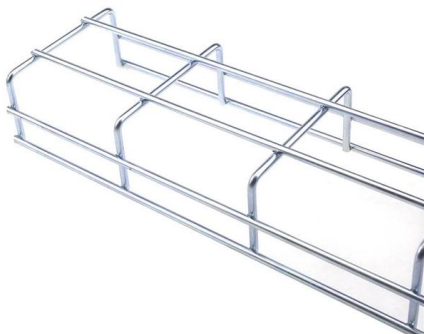
[Contact Us](#)



## Safe Outdoor Electrical Panel Installation Guide

Learn how to complete a safe, code-compliant Outdoor Electrical Panel Installation with the right tools, PPE, and Linkewell's weatherproof power

[Contact Us](#)





**IEEE 525-2007\_accepted**

IEEE-SA Standards Board Abstract: The design, installation, and protection of wire and cable systems in substations are covered in this guide, with the objective of minimizing cable failures and their

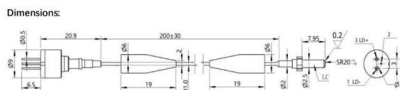
[Contact Us](#)



**Outdoor Electrical Box with Breakers: Circuit Protection & Load**

Outdoor Breaker Box Types and Configurations By Load Distribution Architecture Centralized Main Breaker Configuration Single main breaker (100A-400A) at line side, multiple

[Contact Us](#)



**Area distribution box switch 032680 Installation and Configuration**

Comprehensive guide for installing and configuring the Area distribution box switch 032680, a 6 Port fully managed PoE+ switch with battery backup. Learn about features, remote management, and

[Contact Us](#)



**A Comprehensive Guide to electric box outside Installation and**

If any issues arise, revisit your connections and rectify any potential problems before proceeding. Setting Up Circuit Breakers If your outdoor electric box includes a circuit breaker, it's crucial to set it up

[Contact Us](#)





## How To Safely Install an Outdoor Electrical Box for Your

This guide explains the different types of outdoor electrical boxes, costs, installation steps, and safety measures needed for a reliable and code-compliant installation.

[Contact Us](#)



## Contact Us

---

For datasheets, pricing, or custom fiber access solutions, please visit:  
<https://www.frindel.es>