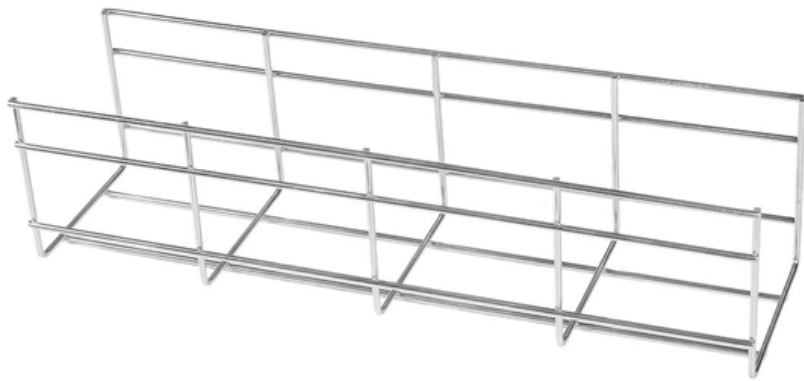


One-to-two optical splitter round head





One-to-two optical splitter round head



Bluerigger 1x2 Toslink Digital Fiber Optic Audio Splitter 1

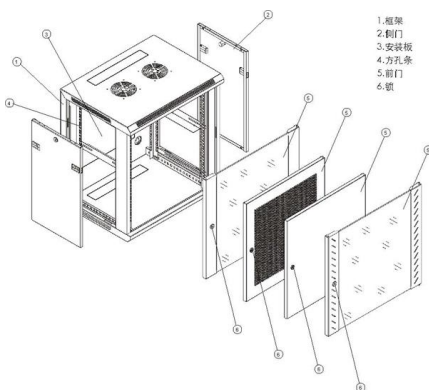
About this item Toslink fiber optic audio splitter allows you to connect one optical audio source and split it into two receiving devices, such as a A/V receiver and a

[Contact Us](#)

Optical Splitters , openGear Passive Fiber Signal Distribution

Distribute optical signals efficiently with Ross Video Optical Splitters--single and dual 1x2, 1x4, 1x8 passive splitters for openGear modular frames. Reliable, power-free, high-performance fiber signal

[Contact Us](#)



Optical Splitters: Split Ratios, Splitting Architectures & PON Network

Learn about optical splitter split ratios (1:N, 2:N), centralized vs. cascaded architectures, and how to choose the right setup for FTTH PON networks.

[Contact Us](#)

1 x 2 PLC Fiber Splitter, Mini Module, 900um, SC/APC,

1x 2 Blockless Fiber PLC Splitter, Singlemode, 900um Fiber, SC/APC Connector Planar lightwave circuit (PLC) splitter is a type of optical power management

[Contact Us](#)



1x2 Optical Splitter , Multimode , FIBERONE

The FIBERONE 1x2 Multimode Optical Splitter is a premium component designed for the exact distribution of optical signals in high-performance data environments. Utilizing Fused Biconical

[Contact Us](#)



1x2 Optical Splitter , Fiber Optical Splitters , FIBERONE

The FIBERONE 1x2 Single-Mode Optical Splitter is a premium solution designed for the precise distribution of optical signals within modern telecommunications infrastructures.

[Contact Us](#)



Amazon : Optical Audio Splitter

Discover high-quality optical audio splitters that let you connect multiple devices. Support LPCM2.0, Dolby Digital, and DTS 5.1 for immersive audio.

[Contact Us](#)





Precision Beamsplitters & Quad-Channel Imaging

Additionally, beam splitters can function in reverse to combine two beams into one. Shanghai Optics manufactures a wide range of high-quality beamsplitters

[Contact Us](#)



Wholesale 1 In 2 Out Optical Fiber Splitter 1x2 1x4

An optical fiber splitter divides light. You can use it in many setups. It has one input port and multiple output ports. Typical insertion loss is around 0.2 dB to 20 dB.

[Contact Us](#)



BlueRigger Digital Optical Audio Splitter (Active Toslink)

About this item ACTIVE OPTICAL SPLITTER 1 IN 2 OUT: BlueRigger fiber optical audio cable splitter allows you to connect one toslink audio source and split it into

[Contact Us](#)



1x2 Blockless Fiber Optic Splitter

This 1x2 mini type PLC fiber optic splitter has a stainless tube package that can provide strong protection for optical fiber cable. And the splitter ends terminated with sc apc connectors, so there is

[Contact Us](#)



90 Degree Optical Audio Splitter 1 in 2 Out, Digital

Considerate Audio Optical Splitter Cable with Angled Plug - with 360 Degree free-rotating right angle plug, Bangun 90 degree optical splitter cable is ideal for audio

[Contact Us](#)



Amazon : 1 In 2 Out Optical Splitter

BlueRigger Digital Optical Audio Splitter (Active Toslink Splitter 1 in 2 Out, SPDIF, Fiber Optic Adapter) - Compatible with Home Theatre, Xbox, PS4, DVD, Receiver, TV, LPCM2.0, DTS, Dolby Digital

[Contact Us](#)

Amazon : EMK Optical Splitter 1x2

Widely Compatible: This 1 to 2 optical splitter can connect any audio component such as a gaming console, DVD player, or other digital audio source to both the

[Contact Us](#)



LiNKFOR 1X2 Toslink Optical Digital Audio Splitter

About this item 1 in 2 Digital Audio Splitter:Split 1 Digital Optical Toslink Source from Devices like Blue-Ray Player,PS3,HDTV,etc. Into 2 Optical Toslink SPDIF

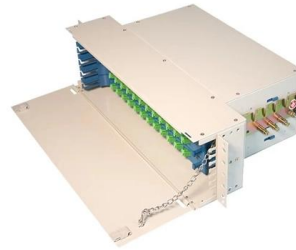
[Contact Us](#)



Optical Beamsplitters , Beamsplitter Selection , Edmund

Edmund Optics offers plate, cube, pellicle, polka dot, or specialty prism Beamsplitters in a variety of anti-reflection coatings or substrates. Standard Beamsplitters,

[Contact Us](#)



Optical Coupler

Optical couplers (or splitters) are photonic devices enable of dividing an optical signal from one port to other ports, as shown in Fig. 4.8. A commonly used configuration has one input and two outputs

[Contact Us](#)



Optical Audio Splitter 1 in to 2 Out Toslink Splitter Optical Adapter

SOUNDFAM Fiber Optic Audio Splitter 1 Input 2 Output What optical audio splitter? Toslink fiber optic audio splitter allows you to connect one optical audio source and split one into two receiving

[Contact Us](#)



What Is Optical Splitter?

What are the Benefits of Using Optical Splitters? The utilization of splitters offers two significant benefits: Scalability Enhancement: Optical splitters

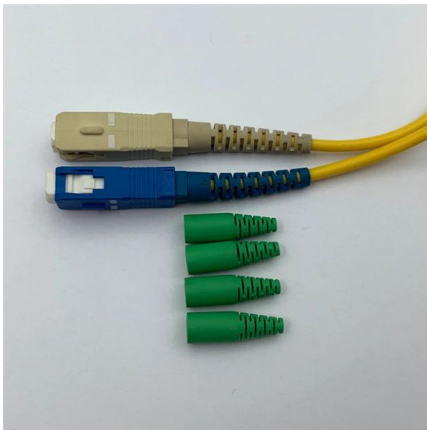
[Contact Us](#)



Optical Splitter

The Monitoring "Optical Port" (the optical port with a lower "split" ratio) connects to the STM-1 Groomer to "monitor" the "live" STM-1 link, non-intrusively. The

[Contact Us](#)



1 in 2 Out Dual Port Digital Optical Audio Splitter

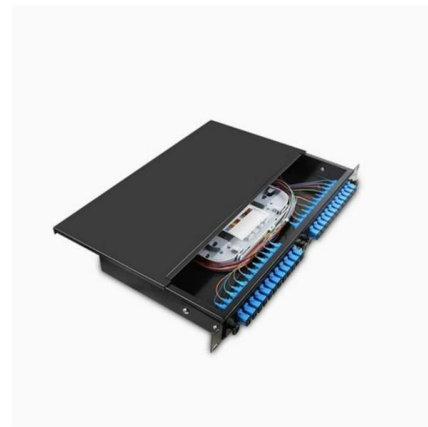
KabelDirekt Optical Audio Splitter - 1 in 2 Out Toslink Optical Splitter for SPDIF Digital Audio (Connects One Source to Two Devices: Soundbar, TV, Hi-Fi)

[Contact Us](#)

Optical Splitters for Central Office/Headend

CommScope offers a portfolio of bare and connectorized splitters/couplers in a wide range of styles and split ratios, and splitter modules for inside plant (ISP) and

[Contact Us](#)



MOTONG Toslink Digital Optical Audio Splitter Adapter

About this item New TosLink 1 x 2 Optical Audio Splitter Adapter allows you to connect one toslink optical digital audio source and split into two different

[Contact Us](#)



Comprehensive Guide to Optical Splitters

An optical splitter is a crucial passive fiber optic device that splits and combines optical signals. It can distribute the optical energy transmitted through a

[Contact Us](#)



Buying a Split TS12 audio splitter? , Marmitek

NOTE: EU PLUG ONLY. Use this audio splitter if you want to connect multiple amplifiers to 1 audio source. The Split TS12 splits 1 optical digital (Toslink) input into 2 outputs without delay or loss of

[Contact Us](#)

What is Fiber Optic Splitter and Types

What is a Fiber Optic Splitter? Fiber optic splitter is a passive optical device used to distribute optical signals, which can divide input optical signals into

[Contact Us](#)



Toslink Optical Cable Splitter, 1 in 2 Out, 2 in 1 Out Fibre

Features - Optical Audio Splitter Adapter 1 to 2, allows you to connect one toslink optical digital audio source and split into two different receiving devices such as a

[Contact Us](#)



This design is extremely flexible, allowing one to use different fiber types on different ports, and different beam splitter optics inside. Custom designs combining circulators, polarizing spitters and non

[Contact Us](#)



- TELECOM CABINET
- BRAND NEW ORIGINAL
- HIGH-EFFICIENCY



Beam Splitters - optical power splitter, beamsplitter, thin

A beam splitter is an optical component used for splitting light into two separate beams, usually by wavelength or polarity. It can also be used, in reverse, as a

[Contact Us](#)

Contact Us

For datasheets, pricing, or custom fiber access solutions, please visit:
<https://www.frindel.es>