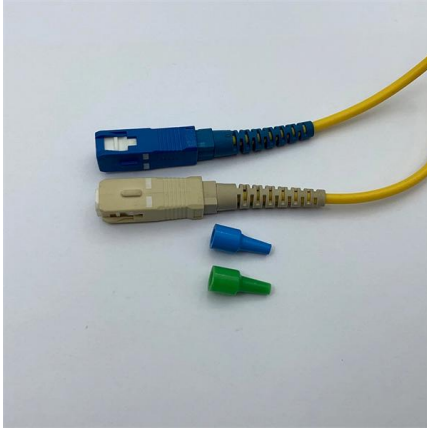


Mobile data center OLT optical module





Mobile data center OLT optical module



Full Guide of PON: OLT, ONT, ONU, ODN and other

Key components of an OLT include a rack, a Control and Switch Module (CSM), an EPON Link Module (ELM or PON Card), and power modules.

[Contact Us](#)

OLT (Optical line terminal) , G-PON (Gigabit passive

A gigabit passive optical network (G-PON) comprises optical line terminals (OLTs) and optical network units (ONUs), and Murata's lineup of products for use in

[Contact Us](#)



GPON OLT C+ Optical Module Spec Sheet

Features & Benefits Supports ITU-T G.984.2 GPON OLT C+ application Single fiber bi-directional data links with symmetric 2.488Gbps Tx and 1.244Gbps Rx 1490nm continuous-mode transmitter with

[Contact Us](#)



GPON Micro OLT on a Stick

Processor The SFP GPON Stick OLT is a compact, pluggable Optical Line Terminal designed for FTTH GPON applications. Packaged in a Small Form-factor Pluggable (SFP) module

[Contact Us](#)



Cisco Routed Passive Optical Network Deployment

The transceiver module acts as a substitute for the OLT chassis, managing the entire optical span within the access network. The Cisco PON OLT

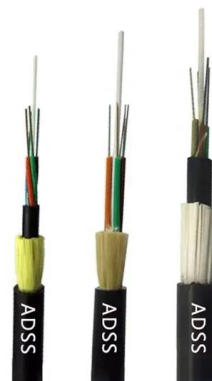
[Contact Us](#)



Guide to Optical Line Terminal (OLT) Classifications: Detailed Types

In modern communication networks, optical line terminal (OLT) is the core device to realize point-to-multipoint (P2MP) in passive optical network (PON) architecture. The OLT is

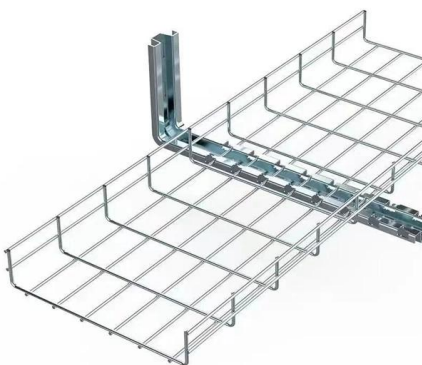
[Contact Us](#)



Optimized Optical Solutions for Mobile Networks

As 5G networks are being deployed worldwide, high-speed optical transport is required to support the services and end user expectations. However, optical components, especially pluggable transceivers

[Contact Us](#)



GPON OLT SFP Optical Transceiver Module , Superxon



Superson GPON OLT SFP transceivers, compliant with SFP MSA, support single-fiber bi-directional data links with TX 2.5Gbps and RX 1.25Gbps. Hot-pluggable,

[Contact Us](#)



Home

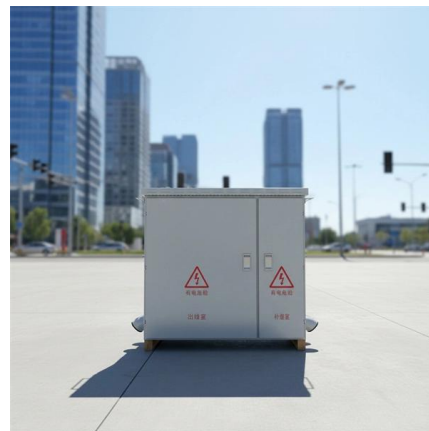
Tellabs is a better way to build and operate true enterprise Optical LAN and broadband service provider networks.

[Contact Us](#)

GPON OLT/ONU Optical Transceiver Modules

Each OLT can support up to 128 ONUs. The GPON optical module is mainly used to connect GPON ONU and GPON ONU devices.

[Contact Us](#)



OLT (Optical line terminal)

In conclusion, the Optical Line Terminal (OLT) is a critical component in the Passive Optical Network (PON) architecture. It serves as the central hub

[Contact Us](#)





Optical Access

Based on PON technology, passive all-optical network access solutions enable access by any media, tailored to enterprises, ISPs, and MSOs.

[Contact Us](#)



What Is an OLT? , Definition, Function & Role in GPON

Introduction - Why OLT Matters in Modern Fiber Networks In the age of fiber-to-the-home (FTTH) and ultra-broadband connectivity, the Optical Line

[Contact Us](#)

GPON OLT Basics and Beyond: A Comprehensive

In today's rapidly evolving optical networking landscape, GPON (Gigabit Passive Optical Network) technology stands as the mainstream solution

[Contact Us](#)



What are OLT Products with Components, Benefits, and

Optical line terminals, OLTs, are a type of hardware device that serves as the terminal point for passive optical networks (PONs). Thus, it's an

[Contact Us](#)



OLT in Networking: Definition, Functions & Features

Explore the key functions and working of Optical Line Terminal (OLT) in PON architecture networking for high-speed fiber optic communication In the

[Contact Us](#)



Guide to Optical Line Terminal (OLT) Classifications: Detailed Types

In modern communication networks, optical line terminal (OLT) is the core device to realize point-to-multipoint(P2MP) in passive optical network (PON) architecture. The OLT is responsible not only for

[Contact Us](#)

Mentech SFP GPON OLT Stick: Transforming Fiber Access Networks

Mentech's newly launched SFP GPON OLT Stick optical module offers an innovative alternative, enabling faster and more flexible fiber access network deployment. The GPON OLT Stick condenses

[Contact Us](#)



Optical line termination

An optical line termination (OLT), also called an optical line terminal, is a device which serves as the service provider endpoint of a passive optical network.

[Contact Us](#)



Exploring the OLT (Optical Line Terminal)

Dive into the heart of fiber networks with our in-depth exploration of Optical Line Terminal (OLT). Uncover the crucial role it plays in revolutionizing high-speed data transmission and network

[Contact Us](#)



MA5801 , OLT , FTTH , Huawei Enterprise

The MA5801 series OLT is a compact and low-density box-shaped OLT. It provides multiple fiber to the home (FTTH) solutions to meet the requirements of economical and efficient network construction.

[Contact Us](#)

OLT vs ONT: Unveiling the Key Distinctions in Fiber -

In the realm of fiber - optic networking, the Optical Line Terminal (OLT) and Optical Network Terminal (ONT) are pivotal components within

[Contact Us](#)



Top Optical Transceiver Modules for Data Center Applications

Explore the best optical transceiver modules for modern data centers, including SFP+, QSFP28, QSFP-DD, and OSFP. Learn how to select the right module for speed, distance, and

[Contact Us](#)



OLT vs ONU vs ONT vs ODN: Fiber Optic Network

Learn differences between OLT, ONU, ONT, and ODN in fiber networks. Optimize your optical network knowledge.

[Contact Us](#)



What is OLT in telecommunication

Optical Line Terminal (OLT) is a crucial component in telecommunication networks, particularly in fiber optic networks. It is responsible

[Contact Us](#)

Guide to Optical Line Terminal (OLT) Classifications:

Explore the different classifications of OLT equipment, understanding each type's unique functions and applications. Read this article to find the best

[Contact Us](#)



Contact Us

For datasheets, pricing, or custom fiber access solutions, please visit:
<https://www.frindel.es>