

# Methods for Fabricating Overhead Cable Trays





## Methods for Fabricating Overhead Cable Trays

---



### Cable Tray Manufacturing: A Simple Guide to the Process

Explore the cable tray manufacturing process, types of cable trays, and important factors. Learn how it all works in an easy-to-understand guide.

[Contact Us](#)

### Types of Cable Trays: Ladder, Perforated, Basket, Solid

Explore all types of cable trays--ladder, perforated, basket, solid, and channel. Learn their uses, materials, pros, cons, and key differences.

[Contact Us](#)



### Overhead Cable Tray Design & BIM Services , Eracore

BIM services for overhead cable tray systems. Eracore delivers accurate layouts, support designs, and prefab-ready models for contractors.

[Contact Us](#)

### Types of Cable Trays - Advantages, Applications and Sizes

Explore the types of cable trays, their advantages, applications, and standard sizes. Learn how they improve cable management and support various industries.



### **Best practice guide to cable ladder and cable tray**

Cable ladder and cable tray systems The following recommendations are intended to be a practical guide to ensure the safe and proper installation of

[Contact Us](#)



### **Installation Of Cable In Cable Trays: NEC, Safety**

Installation of Cable in Cable Trays ensures proper routing, cable management, NEC compliance, grounding, fire safety, and load capacity.

[Contact Us](#)



### **Cable Pathways: A Data Center Design Guide and Best**

An underfloor cable tray is a product used primarily in data centers. The concept is the same as the overhead support apparatus. However, when using

[Contact Us](#)





## Cable Tray Fabrication Method Statement

The document outlines procedures for cable tray fabrication and installation for the HA MBD project. It includes sections on scope of work, reference documents,

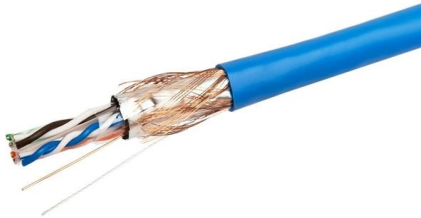
[Contact Us](#)



## Comprehensive Guide to Cable Tray Fabrication and

This guide will discuss the process of cable tray fabrication and installation, and further highlight the considerations of using a GI cable tray for various applications.

[Contact Us](#)



## FactSheet

FactSheet Electrical Safety Hazards of Overloading Cable Trays According to the 2005 National Electrical Code® (NEC), a cable tray system is " unit or assembly of units or sections and

[Contact Us](#)



## METHOD STATEMENT FOR CABLE TRAY INSTALLATION

1.0 This method statement will serve as a minimum guideline to carry out the Cable Tray Installation activities for commercial buildings, plants and refineries in accordance with Project Drawings and

[Contact Us](#)





## CABLE TRAY SYSTEMS GUIDE

The Ladder Tray features light, rugged, tubular steel construction. It is designed for mechanical support and strain relief in long runs of cable and creates a smooth gradual bend for cable. Rail and stringer

[Contact Us](#)



### Cable Tray SHIB NAL

Cable trays are not raceways, but they are treated as a structural component of a facility's electrical system. Cable trays are a part of a planned cable management system to support, route, protect and

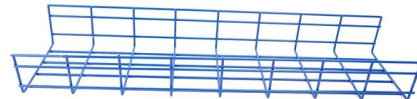
[Contact Us](#)



### Cable Tray Fabrication Method Statement

METHOD OF STATEMENT Cable tray fabrication and installation - Free download as Word Doc (.doc), PDF File (.pdf), Text File (.txt) or read online for free. The

[Contact Us](#)



### Wire Basket Overhead Cable Tray Routing System Application Guide

The Wire Basket Overhead Cable Tray Routing System is composed of pathways, splices, mounting brackets, and accessories that allow the system to be configured for a wide range of applications and

[Contact Us](#)



## How to Produce Cable Trays: A Comprehensive Guide

Discover the detailed process on how to produce cable trays, covering everything from material selection to assembly and surface treatment.

[Contact Us](#)



## cable tray fabrication guide

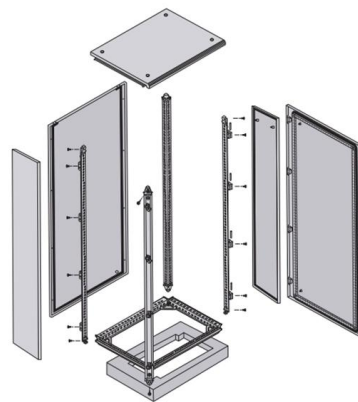
The purpose of this article is to define the sequence and methodology for the installation of electrical cable trays, cable trunking, cable raceways and boxes,

[Contact Us](#)

## Guide to cable support systems

Four different mesh cable tray types are available, depending on the requirements, area of application and cable quantity. The innovative Magic connection system of the GRM and G-GRM mesh cable

[Contact Us](#)



## Best Practice Guide to Cable Ladder and Cable Tray Systems

This guide covers cable ladder systems, cable tray systems, channel support systems and associated supports intended for the support and accommodation of cables and possibly other electrical

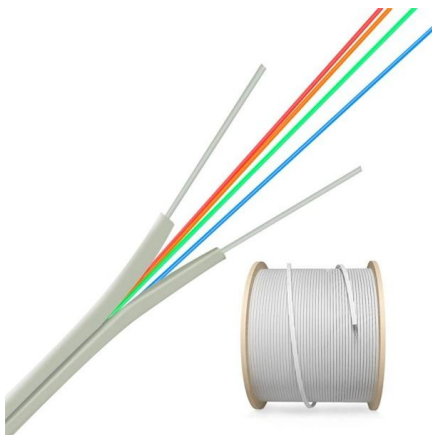
[Contact Us](#)

## Cable tray manual



Nearly every aspect of cable tray design and installation has been explored for the use of the reader. If a topic has not been covered sufficiently to answer a specific question or if additional information is

[Contact Us](#)



### CABLE TRAY SYSTEMS GUIDE

Cable Tray Systems Guide HUBBELL Hubbell Wiring Device-Kellems and Hubbell Premise Wiring are divisions of Hubbell Incorporated, a U.S. headquartered manufacturer with over 130 years of

[Contact Us](#)



### Method Statement installation of Cable



### Mastering Cable Tray Installation , Step-by-Step Guide for a Seamless

Learn how to install cable trays correctly. Get the ultimate step-by-step guide on setting up a seamless and reliable cable management system.

[Contact Us](#)



### Cable Tray Technical Guide A practical guide to product selection and

The choice of method should be discussed with a local inspector. The best decision may be to extend only the cables, creating a discontinuity in the cable tray.

[Contact Us](#)



## Trays and Ladders

This method statement covers the site installation of the cable tray & ladders and the requirements of checks to be carried out.

[Contact Us](#)



## How to Install Cable Tray: A Comprehensive Guide to Different Cable

Welcome to our step-by-step guide on installing cable trays! In this video, we'll explore the different types of cable trays available and provide detailed instructions for their installation.

[Contact Us](#)

## Cable Tray Installation

Learn everything about cable tray installation with our complete guide. Discover types, steps, and safety tips for efficient electrical cable management.

[Contact Us](#)



## Contact Us

---

For datasheets, pricing, or custom fiber access solutions, please visit:  
<https://www.frindel.es>