

# Main materials for cable trays





## Main materials for cable trays

---



### Cable Tray: Material Properties

Ventilated cable tray systems are commonly fabricated from a corrosion-resistant metal or from a metal with a corrosion-resistant finish. The selection of the proper

[Contact Us](#)



### Types of Cable Trays & Installation Guide

Cable trays are crucial in cable management, providing organized electrical and communication wiring pathways. They are available in various materials and configurations to suit industrial, commercial,

### Cable Tray Types and Sizes

Explore various cable tray types and sizes for electrical installations. Learn about ladder, perforated, solid-bottom, wire mesh, and channel trays in this complete

[Contact Us](#)



### 100+ Essential Questions Answered About Cable Trays:

Discover over 100 expert answers about cable trays, covering key topics like material selection, load capacity, installation methods, and maintenance.

[Contact Us](#)



### **Everything You Need to Know About Cable Trays , Cable Trays**

Discover the different types of cable trays, their many benefits when used in electrical wiring and network cabling, installation processes, and essential maintenance tips for keeping your

[Contact Us](#)



### **Comprehensive Analysis of Cable Trays Raw Material**

Selecting the right raw material for cable trays is vital to maintaining structural integrity, longevity, and cost efficiency. This article dives into the

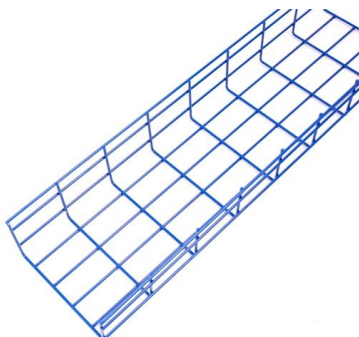
[Contact Us](#)



### **Types of Cable Trays: Ladder, Perforated, Basket, Solid**

Explore all types of cable trays--ladder, perforated, basket, solid, and channel. Learn their uses, materials, pros, cons, and key differences.

[Contact Us](#)

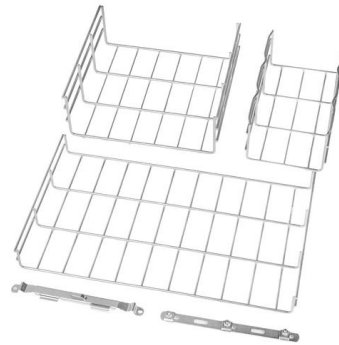




## Comparing Electrical Cable Tray Materials- Aluminium,

Selecting the right material for a cable tray is crucial as it impacts durability, cost, installation, and long-term performance. Among the most

[Contact Us](#)



## What materials are cable trays made of?

Mild steel cable trays are the most cost-effective option, followed by aluminum cable trays. Stainless steel and fiberglass cable trays are more expensive, but they

[Contact Us](#)

## Cable Trays Selection Guide: Types, Features,

Cable trays are components of support systems for power and communications cables and wires. A cable tray system supports and protects both power and

[Contact Us](#)



## Types of Cable Trays - Purpose, Advantages,

Cable tray is alternatives to wire ways and electrical conduits, which completely enclose cables. Study types of cable trays, purpose, advantages.

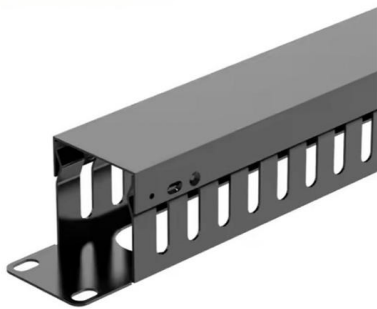
[Contact Us](#)



## Types of Cable Trays - Advantages, Applications and Sizes

Explore the types of cable trays, their advantages, applications, and standard sizes. Learn how they improve cable management and support various industries.

[Contact Us](#)



## Cable Tray: Material Properties

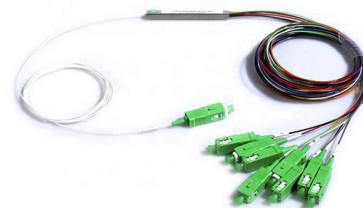
The material properties of an alloy depend on the distribution of each type of element present, giving each alloy specific weight, strength, toughness, hardness,

[Contact Us](#)

## Cable Tray Specification Guide , Types, Materials, Sizes

Cable Tray Specification Guide , Types, Materials, Sizes In the realm of infrastructure development, the efficient management of electrical conduits plays a pivotal role. This section delves into the

[Contact Us](#)



## Comprehensive Analysis of Cable Trays Raw Material

Discover the key aspects of cable trays raw material, including costs, trends, and innovations. Learn how materials like steel, aluminum, and

[Contact Us](#)

## Cable tray



Common cable trays are made of galvanized steel, stainless steel, aluminum, or glass-fiber reinforced plastic. The material for a given application is chosen based

[Contact Us](#)



### Cable Tray Technical Guide A practical guide to product selection and

In designing supports for a cable tray system, consideration should be given to the loads associated with future cable additions and any additional loading that may be applied to the cable tray system (e.g.,

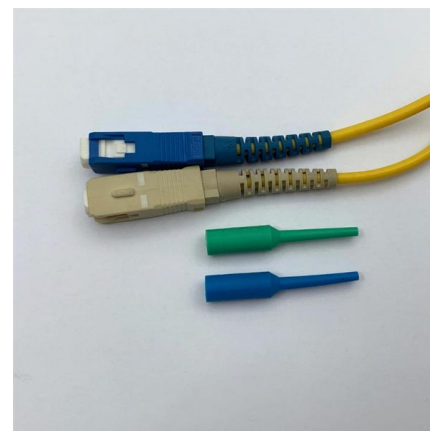
[Contact Us](#)



### What Is Cable Tray (Purpose, Materials And Applications)

What is cable tray? Learn about its types, uses in industries, safety benefits, and how it organizes and supports cables in various environments.

[Contact Us](#)



### Types of Cable Trays and their Uses

Cable trays come in a variety of materials. They can be made of galvanised steel, aluminium, stainless steel, and glass-fibre reinforced plastic, among other materials.

[Contact Us](#)





## Cable Tray Systems: Requirements and Best Practices

Comprehensive guide to cable tray systems requirements: tray types, materials, loading, supports, bonding, routing, and best practices for safe electrical cable management.

[Contact Us](#)



## What Is a Cable Tray? Types, Materials, and Uses

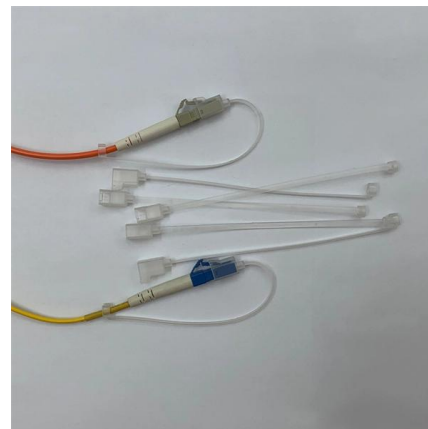
Galvanized steel is the standard for general industrial use, offering high strength and corrosion resistance due to its zinc coating. Aluminum is lighter and naturally corrosion-resistant,

[Contact Us](#)

## Cable trays system support system, ladders, long span, mounting C

Discover the systems for designing and selecting cable route components Interactive PDF - click on the product name and go to the online catalogue! - Cable Trays - Self-supporting Trays - Wire Mesh

[Contact Us](#)



## Type of Cable Tray

Cable Tray Materials: Most cable tray systems are fabricated from a corrosion-resistant metal (low-carbon steel, stainless steel or an aluminium alloy) or from a metal with a corrosion-resistant finish

[Contact Us](#)

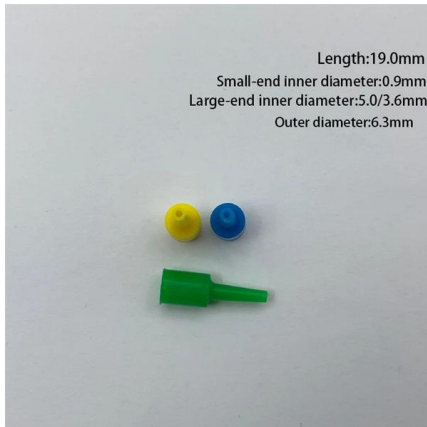




## Ultimate Guide to Cable Tray Selection - Types,

Learn how to choose the best cable tray system for your needs. Explore types, materials, installation tips, and NEC compliance in this expert guide.

[Contact Us](#)



## Cable Tray Technical Guide A practical guide to product selection and

Cable Tray Technical Guide A practical guide to product selection and installation This guide for engineers and installers has been developed by ABB as a practical reference regarding cable tray

[Contact Us](#)

## Cable Tray Types and Sizes

Explore various cable tray types and sizes for electrical installations. Learn about ladder, perforated, solid-bottom, wire mesh, and channel

[Contact Us](#)



## Contact Us

---

For datasheets, pricing, or custom fiber access solutions, please visit:  
<https://www.frindel.es>