

Lifting Equipment Distribution Box





Lifting Equipment Distribution Box



Box and Container Lifting Equipment

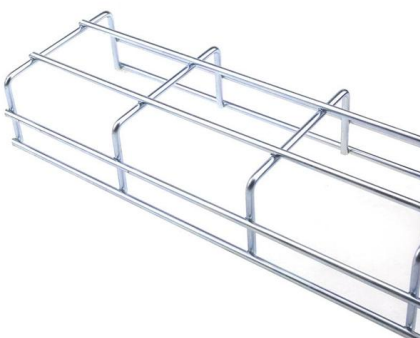
Our box, container, and crate handling equipment is available in both standard and bespoke configurations, allowing you to accommodate varying sizes and weights.

[Contact Us](#)

Box Lifters , Box And Carton Handling , DLH

Swedish Lifts All has long been known for developing quiet, compressed-air-powered handling equipment for businesses worldwide. Our top Lifts All box lifters include

[Contact Us](#)



Lifting Applications , Handling Boxes , Packline Materials Handling

Discover premium box, crate, and carton handling equipment from Packline, the UK's trusted provider of high-quality engineered lifting

[Contact Us](#)

Hoist Crane Distribution Box

Hoist Crane Distribution Box Weihua Crane employs automated production lines and precision machining equipment, resulting in a high level of manufacturing

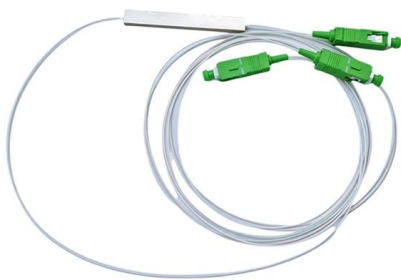
[Contact Us](#)



Warehouse Lifting Equipment for the Distribution Sector

One vacuum lifter attachment could be used across a whole range of products boxes, despite differing sizes and weights all operated by one-person effortlessly.

[Contact Us](#)



Lifting solutions for logistics, warehousing and

Efficient lifting solutions for logistics - from sorting, packaging and order picking to palletizing and depalletizing. Ergonomic lifting at full speed.

[Contact Us](#)



The Box Lift , Tilt-Free Delivery Systems

The Box Lift is a patented level-lift system designed and manufactured for the portable storage container industry and others requiring the benefits of tilt-free

[Contact Us](#)





What Is a Box Elevator and When Do You Need One?

A box elevator (or package elevator) is essentially just another term for a vertical reciprocating conveyor (VRC): A lift designed to move materials --

[Contact Us](#)



Electric Box Lifter - Boost Packaging Efficiency

Discover how an electric box lifter can transform packaging operations. Improve safety, speed, and productivity with the latest lifting technology.

[Contact Us](#)



Modular Box Lifting Devices , Wildeck Modular Box

A Wildeck® Mechanical Modular Box Lift is an ideal solution for quickly and safely moving parts and material in totes, boxes, or carriers to another level. What

[Contact Us](#)



The various applications of distribution boxes

The use of distribution boxes can be useful in a variety of industries where power distribution plays an important role. From construction sites to

[Contact Us](#)





Lifting and Rigging Spreader Bars , Crane Spreading

Tri-State Rigging Equipment is a custom manufacturer and certified distributor of all below the hook lifting devices, including spreader beams and spreader bars used

[Contact Us](#)



Box Lifters , Industrial Box Manipulator , Box Lifter

INDUSTRIAL BOX LIFTERS Posilift Australia offers a range of Armtec Box Lifters for the weightless and effortless lifting, rotating, stacking, and unstacking of all sizes

[Contact Us](#)

14 Types of Warehouse Lift Equipment You Must Know

Discover the key types of warehouse lift equipment, including hydraulic lifts and dock lifts, to simplify material handling and improve

[Contact Us](#)



Lifting boxes safely with ergonomic lifting equipment , TAWI

TAWI box lifters are designed to solve the most demanding box-handling challenges across logistics, manufacturing, warehousing, and distribution. Vacuum lifters

[Contact Us](#)



Box lifting device, Box lifter

Find your box lifting device easily amongst the 41 products from the leading brands (TAWI, Ferplast, MANERGO,) on DirectIndustry, the industry specialist for your professional purchases.

[Contact Us](#)



Crane Lift Box

Lift or lower supplies, materials and small equipment with a Star Industries Crane Lift Box. The box is engineered from strong 10-gauge steel and four-point lift eyes to carry a massive 4,000 lbs in weight.

[Contact Us](#)

Lifting devices, vacuum lifters, and cranes , TAWI

We make lifting easy for everyone. We provide a wide range of lifting equipment such as Vacuum Lifters, Trolleys and hoists. TAWI

[Contact Us](#)



Lifting Operations Toolbox Talk

Why? If not planned and executed properly the lifting operation can fail resulting in equipment overturning, shearing, breaking or collapsing with serious consequences for plant, equipment,

[Contact Us](#)



Modular Box Lifting Devices , Wildeck Modular Box

Check out the Modular Box Lifts offered by A-Lined Handling Systems, Inc. of Connecticut. Learn about pricing, options, product information, and more here.

[Contact Us](#)



Box Lifters and Carton Handling Equipment: Creating an

When workers are tasked with moving industrial boxes and cartons via their own manpower, injuries are practically unavoidable. Box lifters, carton

[Contact Us](#)



Box lift

Learn how our vacuum and mechanical lifters support various industries, materials, and workplace needs. We offer comprehensive box lifter solutions for lifting

[Contact Us](#)



Pre-Terminated Patch Panel

- Standard 19" width
- Max 144 fibers in 1U
- MPO/Fusion Dual-Purpose



Removable Cable Management Tray



Transparent Front Cover



High-Quality Matte Coated Steel

Understanding Distribution Boxes: A Comprehensive Guide

A distribution box, also known as a power distribution box or electrical distribution box, is used to distribute electrical power safely to multiple

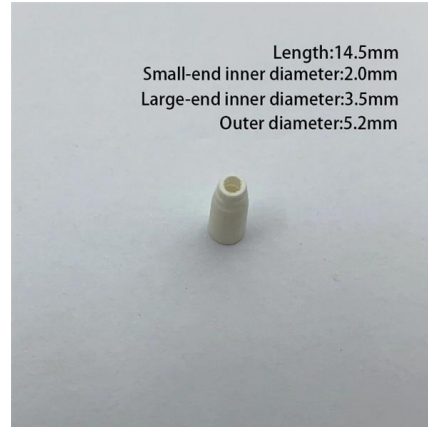
[Contact Us](#)



Box lifting devices , Dotec the Friendly Liftassist

Our specialized box lift equipment is designed to safely and efficiently lift and move heavy boxes. The box lifter is known for their precision, which greatly assists in

[Contact Us](#)



Power Distribution Boxes , McMaster-Carr

Choose from our selection of power distribution boxes in a wide range of styles and sizes. Same and Next Day Delivery.

[Contact Us](#)



Contact Us

For datasheets, pricing, or custom fiber access solutions, please visit:
<https://www.frindel.es>