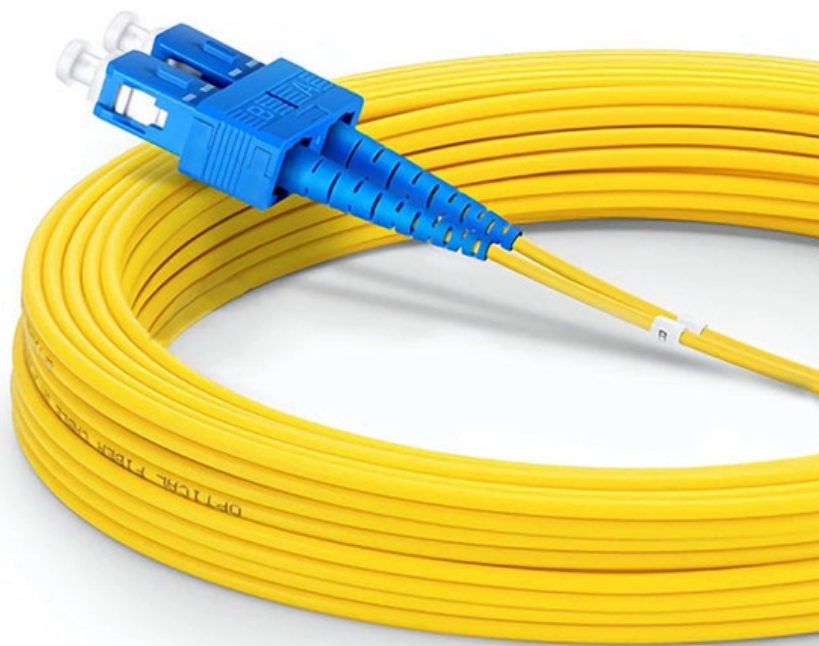
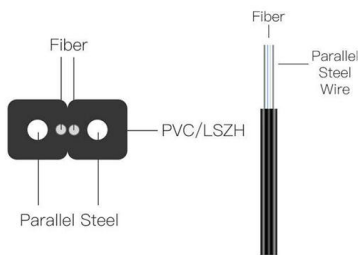


Installation of Aluminum Alloy Explosion-proof Distribution Box





Installation of Aluminum Alloy Explosion-proof Distribution Box



Explosion-proof illumination (power) distribution box (power)

3. Adopting the patented technology of the combined explosion-proof distribution box independently developed, the modular design and combination of the distribution box makes the whole distribution

[Contact Us](#)

Explosion-Proof Electrical Distribution Boxes: Applications in

Explosion-proof electrical distribution boxes are essential for safety in hazardous environments. These specialized enclosures are built to contain internal explosions and stop the ignition of flammable



[Contact Us](#)



Factory Direct: Explosion Proof Anti-Corrosion Junction

BJX 220/380V 10-400A Explosion proof anti-corrosion junction box The shell of the explosion-proof control box is made of aluminum alloy, and the surface is high

[Contact Us](#)

Flameproof Distribution Board , Explosion proof

At Bharat Flameproof, we have decade-old flameproof equipment manufacturing skills for Flameproof Distribution Boxes. These distribution boards are



Ex Local Control Stations & Distribution Boxes

Ex Local Control Stations & Distribution Boxes
Atexdelvalle offers world-class explosion-protected solutions guaranteeing highest quality and performance with

[Contact Us](#)



Explosion-proof Junction Box , KNTECH

Explosion-proof power distribution device KNBXM is made of aluminum alloy shell with 4*M20 holes. We can manufacture explosion-proof boxes according to user

[Contact Us](#)



Installation and Wiring of High and Low Voltage Explosion-Proof

Generally, professional electricians should handle the wiring of explosion-proof distribution boxes, as they possess the necessary skills and safety equipment. In non-urgent cases,

[Contact Us](#)

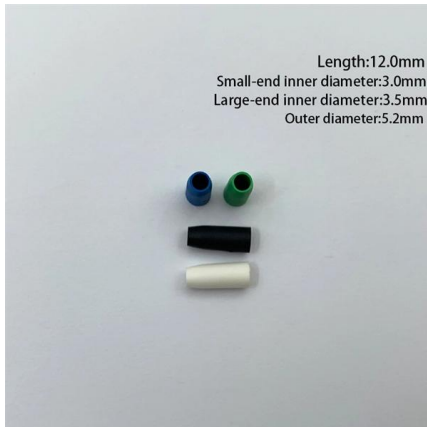




Control and Distribution Panels , Ex d , EJB Series

A series of control and distribution panels made from aluminum. Ex d and Ex tb certified for installation in explosion-hazardous areas. Suitable for use in gas

[Contact Us](#)



Explosion-proof distribution box installation skills

The explosion-proof distribution box is divided into two types: metal casing and plastic casing. There are two types of explosion-proof and concealed type, and the cabinet must be intact.

[Contact Us](#)

The New Standard in Aluminum Explosion-Proof Solutions , CZ

Product Introduction: CZ1490 Explosion-proof Distribution Box. CZ1490 explosion-proof junction box (IIB+H, IIIC/Db), with EU ATEX explosion-proof certification, EAC Customs Union

[Contact Us](#)



Terminal and Junction Boxes (Ex d) , Explosion Protection

Constructed from corrosion-resistant, copper-free aluminum, the GUB series terminal boxes and junction boxes are available in a variety of sizes and configurations to suit different installation needs.

[Contact Us](#)



Control and Distribution Panels , Ex d , EJB Series

The enclosure series EJB forms the optimal basis for the application-specific configuration of terminal boxes, control stations as well as control and distribution

[Contact Us](#)



Aluminum Alloy Explosion-Proof Power Distribution Box

Wenzhou LichiElectric Co., Ltd, founded in 2007, the existing production area of 15,000square meters, specializing in the production of vacuum circuit breakers,

[Contact Us](#)



Explosion-Proof Terminal Box Design for Hazardous

In this blog post, MINMILE, as high performance explosion-proof equipment exporter, will share design of explosion proof terminal boxes for power

[Contact Us](#)



How to Install Explosion-Proof Distribution Box

When installing, please follow the instructions strictly and ensure installation by a professional.
1. Open the terminal chamber cover, connect the

[Contact Us](#)



Explosion-Proof Distribution Boxes: Special



Installation Requirements

Seven workers vanished after a deafening blast tore through a California fireworks facility last July - a chilling reminder of why explosion-proof electrical equipment installation isn't just regulation, it's life

[Contact Us](#)



Ex junction and terminal boxes - Explosion-Proof , mlx-ex

GRP Ex terminal boxes What are Ex Terminal Boxes? Ex terminal boxes are protective enclosures used to connect and distribute electrical circuits safely within explosive atmospheres. They serve as

[Contact Us](#)

Ex-d Junction Box Aluminium: Complete Guide to

Discover everything about Ex-d junction box aluminium enclosures for hazardous areas. Complete guide to explosion proof junction boxes for Zone 1, Zone 2,

[Contact Us](#)



Explosion-proof illumination (power) distribution box

4. Adopting the patented technology of the combined explosion-proof distribution box independently developed by the company, the modularization optimization design and combination of the

[Contact Us](#)



Explosion-Proof Control & Distribution Boxes

The MAMX02/03 Series Explosion-Proof Control and Distribution Boxes are engineered to deliver advanced protection and long-term performance

[Contact Us](#)



Terminal boxes , Junction boxes , Ex , Ex e , Ex d , ATEX , Explosion

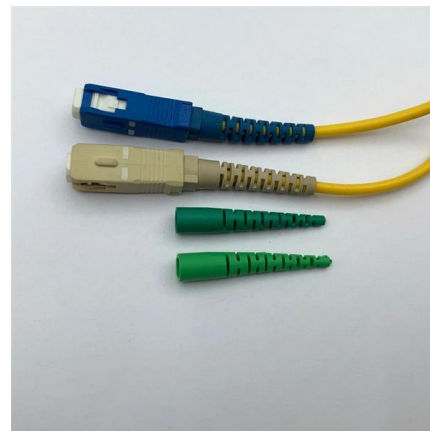
We offer bespoke, custom-made terminal boxes and terminal box combinations, as well as standard products with short delivery times. Our products are certified for installation technologies all over the

[Contact Us](#)

Terminal boxes , Junction boxes , Ex , Ex e , Ex d , ATEX , Explosion

Terminal boxes for safe installation in hazardous areas Safely conduct, connect and distribute energy in hazardous areas with R. STAHL's terminal boxes. We offer bespoke, custom-made terminal boxes

[Contact Us](#)



Ex Enclosure Systems

ROSE supplies flameproof enclosures in various sizes and types for use in various gas groups and service-temperature ranges. The classic: The aluminium housing

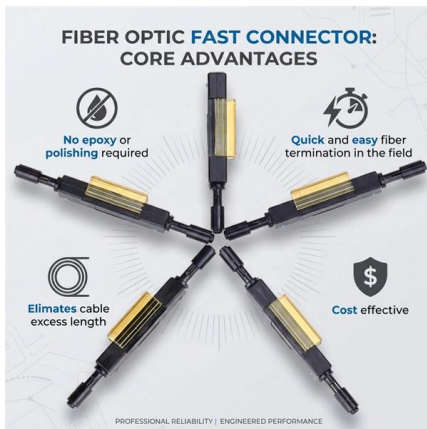
[Contact Us](#)



Ex-Junction boxes and terminal enclosures ATEX

Aluminum Ex Terminal Boxes - HARDO Explosion-proof terminal boxes of the Polish company HARDO are made of aluminum and are a competitive alternative to well

[Contact Us](#)



Explosion Proof Junction Box Types, Prices

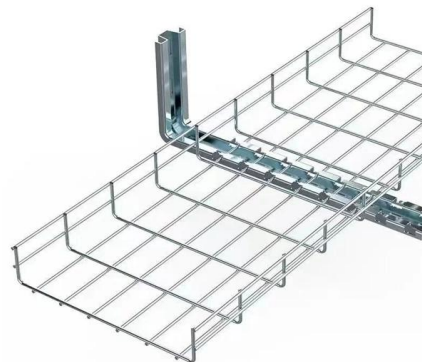
Learn about explosion proof junction boxes--pricing, sizes, certifications, and installation tips for electricians and engineers. Shop certified

[Contact Us](#)

Explosion Proof Box & Cabinet

Structural Features: Casting aluminum alloy shell or welded steel plate molding, with surface painting or plastic spraying. It can also be made of stainless steel. If required, please specify. Equipped with

[Contact Us](#)



Contact Us

For datasheets, pricing, or custom fiber access solutions, please visit:
<https://www.frindel.es>