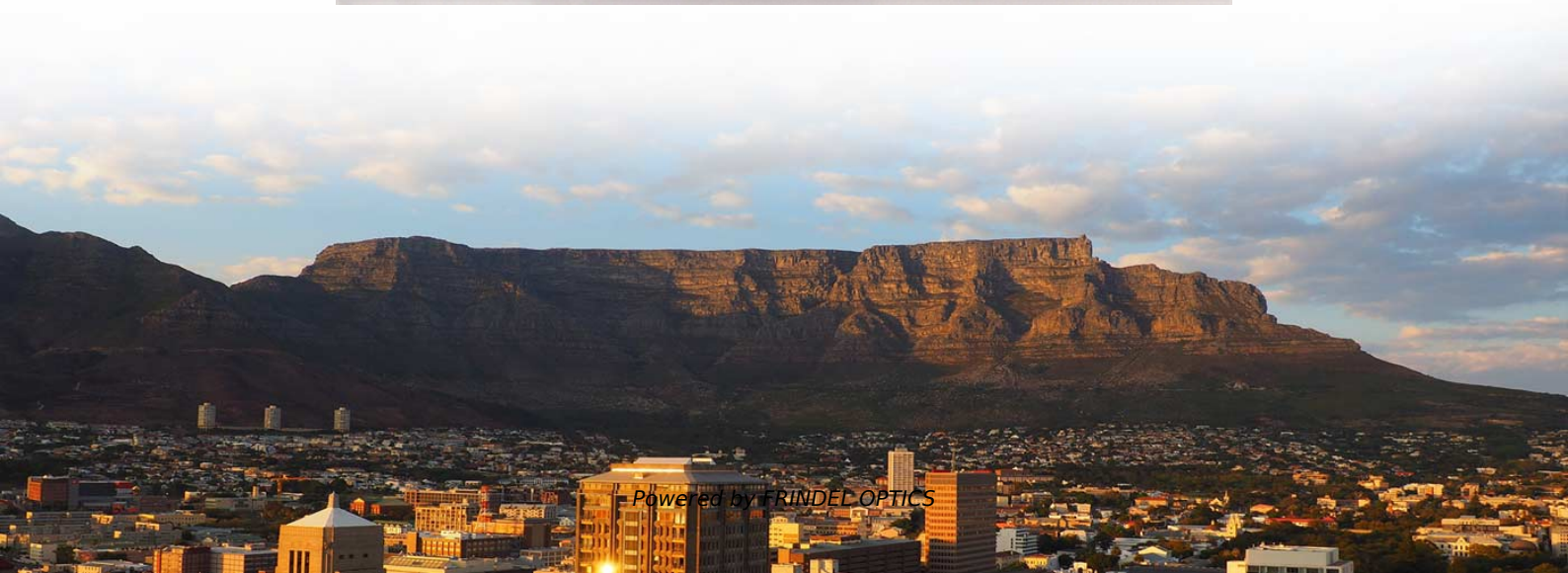


Installation and Construction of Distribution Boxes in East Africa





Installation and Construction of Distribution Boxes in East Africa



Electric Panel Installation Method Statement

METHOD STATEMENT FOR Electric panel and distribution box installation and termination - Free download as PDF File (.pdf), Text File (.txt) or read online for

[Contact Us](#)

Power Transmission & Distribution Solutions

Power Transmission & Distribution Solutions
Power Distribution Solutions in East Africa:
Maximizing Efficiency and Reliability Unlock the potential of medium

[Contact Us](#)



The various applications of distribution boxes

The use of distribution boxes can be useful in a variety of industries where power distribution plays an important role. From construction sites to

[Contact Us](#)

Electrical Distribution Boxes for Power Distribution

The Wieland distribution boxes accommodate all required components of the electrical installation as well as building automation on a project-specific basis.



Insulated & Sandwich Panel Manufacturers , Cold Store

TSSC is a leading Insulated & Sandwich Panel Manufacturers company. We deliver Modular Housing, Building Systems, and Cold Chain

[Contact Us](#)



unsupervised_topic_modeling/topics/en/15/50/100/topics at

Contribute to annontopicmodel/unsupervised_topic_modeling development by creating an account on GitHub.

[Contact Us](#)



How to Install a Distribution Box--A Comprehensive

Whether you are an electrical contractor or a construction brigade, knowing how to properly and safely install distribution boxes is the basis of

[Contact Us](#)



Distribution Box - Elecon Constructions



Proper installation of distribution boxes is essential for ensuring their effectiveness and safety. Qualified electricians should install and configure distribution boxes according to local electrical codes and

[Contact Us](#)

50KW modular power converter



- Flexible Configuration**
 - Modular Design, Expanding as Required
 - Small/Light, Wall Mounted
 - Installed in Parallel for Expansion
- Powerful Function**
 - Support PV-ESS
 - Grid Support, Equipped with SVG Technology
 - On-Grid and Off-Grid Operation
- Reliable Protection**
 - Outdoor IP55 Design
 - Sufficient Protection Functions Equipped



Length:39.5mm
Small-end inner diameter:2.0mm
Large-end inner diameter:5.0mm
Outer diameter:5.65mm/6.5mm

Cautions and Requirements for Installation of

8. After installation, the residue in the distribution box should be cleaned up. When the distribution box is installed and constructed, some safety operation items

[Contact Us](#)

Distributions , Umeme Africa Engineering

We are suppliers and distributors of selected electrical products from top pole boxes, ready boards, split meter boxes, distribution boards, cables, cable drums, re

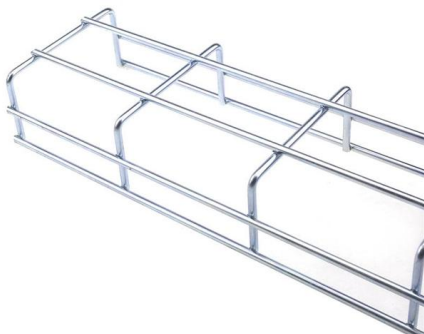
[Contact Us](#)



The Complete Guide to Distribution Box: Installation, Types & More

High-usage commercial and industrial installations may require more frequent inspections based on operating conditions and manufacturer recommendations. Can I add circuits to an existing

[Contact Us](#)





The Installation Process of Distribution Boxes

Let's take a look at how distribution boxes are installed, ensuring electrical safety. Have you ever fixed any small repairs around the house? If you're into

[Contact Us](#)



The installation requirements for the distribution box

Learn how to install a distribution box safely and correctly. Covers wiring, placement, standards, and expert tips for a compliant setup.

[Contact Us](#)



Understanding Distribution Boxes: A Comprehensive Guide

support safer operation in electrical systems For this reason, distribution boxes are widely used in homes, commercial buildings, industrial

[Contact Us](#)



- TELECOM CABINET
- BRAND NEW ORIGINAL
- HIGH-EFFICIENCY

Explore Power Distribution Box Types and Functions

Power distribution boxes are used in commercial and residential buildings and are part of the electrical system, also known as switchboards.

[Contact Us](#)

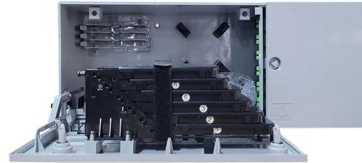




ST_240-75659760 Rev 3 Pole top metering kiosks_

This document states the requirements for the manufacturing of pole mounted service distribution boxes for split prepayment metering. The designs of the boxes are similar for the various applications.

[Contact Us](#)



Distribution Box Guide: Types, Components & Solutions

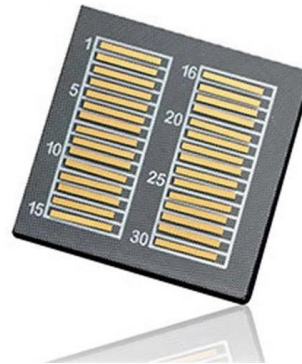
Understand distribution boxes (DB boxes) in 5 minutes. Learn about types, components, functions, and uses. Find the perfect DB box for your needs.

[Contact Us](#)

Key Points Of Distribution Box Installation

1. The power distribution system at the construction site shall implement hierarchical power distribution, which shall be equipped with a general distribution box (or distribution room), a distributio

[Contact Us](#)



Deub Engineering Solutions , Experts in Engineering

We design, install and maintain a variety of electro-mechanical & industrial systems such as steam distribution systems, pressure-reducing stations, biomass

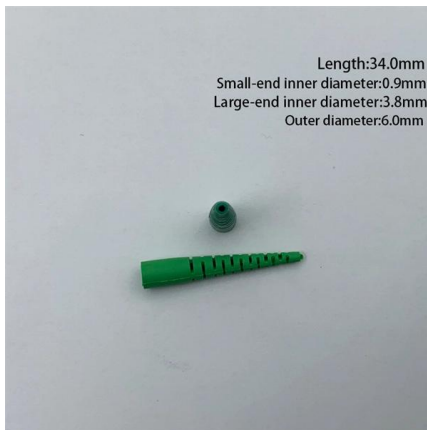
[Contact Us](#)



Electrical Panel Box in Kenya, Uganda and Tanzania

The Electrical Panel Box provides a safe and organized enclosure for electrical components, reducing the risk of electrical hazards and ensuring reliable

[Contact Us](#)



Quality Control for Installation and Construction of Electrical Riser

Master the key quality control methods for electrical riser & distribution box installation. Ensure safety, compliance, and prevent hazards in building electrical systems.

[Contact Us](#)

How to Improve the Installation Quality of Distribution Boxes

After installation is complete, construction personnel should remove any debris or foreign objects from inside and outside the distribution box, ensuring it is clean. Then, clearly label the purpose and

[Contact Us](#)



Global IT Products & Network Solutions Provider , Black Box

Black Box is a global leader in digital infrastructure solutions, delivering network and system integration, managed services, and technology products to Fortune 100 and top global enterprises. With a

[Contact Us](#)





How to Install a Cable Distribution Box Safely and

In modern electrical systems, cable distribution boxes (also known as electrical distribution boxes or distribution boxes) play a crucial role as the key

[Contact Us](#)



Requirements And Specifications For Installation Of

In flammable and explosive environments, explosion-proof distribution boxes should be selected and explosion-proof treatment should be carried out.

[Contact Us](#)

Electric Panel Installation Method Statement

This document provides a method statement for installing and terminating electric panels and distribution boxes. It outlines 4 steps: 1) Pre-installation preparation

[Contact Us](#)



What are the requirements for distribution cabinets in

The single most important document governing electrical installations in South Africa is SANS 10142-1: The Wiring of Premises, commonly known as

[Contact Us](#)



Contact Us

For datasheets, pricing, or custom fiber access solutions, please visit:
<https://www.frindel.es>