

Install 200G active optical components





Install 200G active optical components



200G QSFP56 InfiniBand HDR Active Optical Cable

The 200G AOC offers high port density and configurability, and a much longer reach than passive copper cables in the data centers. Since the AOC is hot pluggable, it

[Contact Us](#)

200G QSFP56 Active Optical Cable

o Four-channel full duplex active optical cable o Up to 53.125 Gbps data rate per channel by PAM 4 modulation o Low power consumption: [Contact Us](#)



200G AOC active optical cable overview

200G AOC active optical cable overview The rapid development of data centers has increased user demand. In order to meet the needs of users,

[Contact Us](#)

Application of 200G Active Optic Cable in Data Centers

AOC active optical cables provide excellent solutions for the high-speed, high-density, low-cost, and low-power requirements of short distance data centers in optical interconnect products.



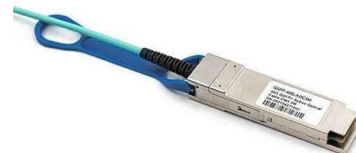
FCBx450QB2Cyy Quadwire 200G QSFP56 Active Optical Cable

Coherent FCBx450QB2Cyy QSFP56 Active Optical Cables are compatible with the QSFP MSA for pluggable form factor modules.

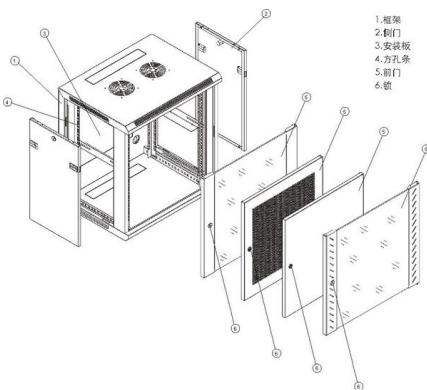
[Contact Us](#)

Unveiling the World of Active Optical Cables: A Comprehensive Guide

A: Active Optical Cables can be of a variety of lengths, such as 3m, 5m, 10m, etc. The 10m specification is popular for applications where reach and attenuation may be an issue. Q: What



[Contact Us](#)



Overview of 200G QSFP56 Optical Transceivers

Find the best 200G QSFP56 optical transceivers for data center upgrading at Ascentoptics. We offer fast delivery, expert tech support, and

[Contact Us](#)

MFS1500-VxxxE 200GbE QSFP56 MMF AOC Product Specifications



Since the AOC is hot pluggable, it is easy to install and replace. The MFS1S00 has a standard SFF-8665 compliant QSFP56 port on the electrical side towards the host system.

[Contact Us](#)



What are the differences between 200G DAC vs AOC Cables?

200G DAC: 200G DAC (Direct Attach Copper) cables provide a cost-effective alternative to AOC cables for short-range data transmission. These cables utilize copper conductors to transmit

[Contact Us](#)

Customized 200G QSFP56 Active Optical Cable

200G QSFP56 AOC (QSFP56 to QSFP56) The 200G QSFP56 active optical cable is designed for use in 200 Gigabit Ethernet links over OM3 multimode fiber, it

[Contact Us](#)



200G QSFP56 Active Optical Cable

The 200G QSFP56 Active Optical Cable (AOC) is a cutting-edge high-speed interconnect solution designed for modern data centers and high-performance computing environments.

[Contact Us](#)

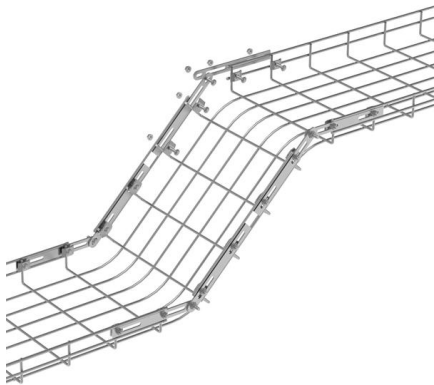




200G QSFP56 AOC -Active Optical Cable

The 200G QSFP56 Active Optical Cable (AOC): plug-and-play, provides up to 200Gb/s aggregate bandwidth solution, supporting 100m parallel multimode fiber.

[Contact Us](#)



Shop for 200 GB QSFP56 InfiniBand HDR and Breakout Active Optical

200G Active Optical Cables Lower Your Operational Costs with Approved Networks 200G QSFP56, 200G QSFP56 InfiniBand, and 200G QSFP56 InfiniBand Breakout AOCs

[Contact Us](#)

Active Optical Cables (AOC) , High-Speed Connectors

Explore Amphenol's high-speed Active Optical Cables designed for data centers, HPC, telecom, and storage systems with support from 12G to 400G.

[Contact Us](#)



200G QSFP DD Active Optical Cable (AOC)

Amphenol QSFP DD to QSFP DD 200G Active Optical Cable assemblies increase the number of lanes from 4 to 8 and double the port density

[Contact Us](#)



800G Active Optical Cable

800G Active Optical Cable (Breakout Cable 4x200G) .5" Jabil Photonic 800G Active Optical Cable (breakout 4x200G) provides optimized solutions for interconnections inside datacenter up to 50M on

[Contact Us](#)



Active Optical Cables (AOCs) Catalog - Vitex LLC

US-based Fiber Optics Partner of high-quality 1.6T, 800G & 400G optical transceivers, AOCs, DACs, and fiber cables for AI clusters, data centers, and telecom. Fast lead times, expert engineering

[Contact Us](#)

Spec Sheet

200G PAM4 QSFP56 Straight Throughs and Breakouts Regional Availability -- Global Siemon's 50G per lane PAM4 Ethernet or InfiniBand™ QSFP56 Active Optical Cable assemblies (AOCs) are

[Contact Us](#)



Arista 200G Transceivers and Cables

What 200G Transceivers and Cables are available from Arista? Arista's 200G connectivity solutions include optics for single mode fiber (SMF) and multimode fiber (MMF), Active Optical

[Contact Us](#)





Unlocking the Potential of 200G QSFP-DD: A Deep Dive into Optical

This blog will discuss the world of optical transceivers, which mainly includes the 200G QSFP-DD module. Understanding how this advanced technology increases data center

[Contact Us](#)



200G Transceivers and Cables

200G transceivers, Active Optical Cables (AOCs), and Direct Attach Copper (DAC) cables are essential for high-speed networking in modern data centers, enterprise

[Contact Us](#)



Broadcom's Optical Interconnect Technology , FiberMall

Broadcom's VCSEL technology has consistently led the industry in terms of time-to-market, volume, performance, and reliability. At OFC2024,

[Contact Us](#)



The 200G/lane CPO pushes optical interconnect

Now, after the launch of the third-generation 200G/lane CPO, Broadcom has telegraphed its commitment to developing a fourth-generation

[Contact Us](#)

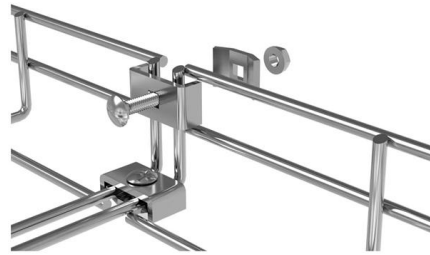




SkyOptics Unveils 200G QSFP56 to 2x100G Active Optical Cable for

SHENZHEN, CHINA - August 29, 2025 - ShenZhen Sky Optics Technology Co., LTD (SkyOptics), a leader in optical communications, today announced the launch of its new 200G QSFP56 to 2x100G

[Contact Us](#)



200g qsfp56 Optical Transceiver Overview

The 200G QSFP56 transceiver is a hot-pluggable optical module that supports data transmission at up to 200 Gbps. It is designed as a small form

[Contact Us](#)



Contact Us

For datasheets, pricing, or custom fiber access solutions, please visit:
<https://www.frindel.es>