

Industrial-grade fiber melting tray





Industrial-grade fiber melting tray

Material Handling Trays , MFG Tray



Material Handling Molded Fiber Glass Tray Company is comprised of over 300 different material handling trays, containers and wash boxes for material handling and processing solutions in an array

[Contact Us](#)

Fiber Glass Containers & Trays On Meyer Material Handling Products, Inc.

Browse Fiber Glass Containers & Trays in the Meyer Material Handling Products, Inc. catalog including Fiber Glass Stacking Containers, Fiber Glass Conveyor & Assembly Trays, Fiberglass Nest & Stack

[Contact Us](#)



Industrial Melting Furnace Manufacturer, Electric Tray Dryer Supplier

Offering Industrial Melting Furnace, Electric Tray Dryer, Metal Melting Furnace, Induction Furnaces, Batch Type & Conveyor Ovens, Ceramic Firing Oven, Temperature Controller Gas Electric Fired, etc.

[Contact Us](#)



Polypropylene

Manufacturing from polypropylene Melting process of polypropylene can be achieved via extrusion and molding. Common extrusion methods include production of melt

[Contact Us](#)



Fiber Optic Splice Trays

The 12-position splice tray is used as an accessory for fiber cable management products. The tray expands fiber splice capabilities. It also provides the splicing location for the fiber optic cables. The

[Contact Us](#)



Industrial heat-resistant ceramic fiber insulating products for high

Manufacturer & distributor of industrial heat resistant ceramic fiber insulating board, ceramic fiber papers, ceramic fiber blankets, thermal insulating blankets & compressed fiber sheet for high

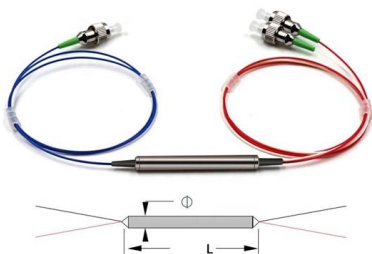
[Contact Us](#)



Fiber Cable Trays

Our Fiber Cable Tray System designed to route and protect fiber optic and high-performance copper cabling to or from network cabinets, distribution frames or other devices. It includes channels,

[Contact Us](#)



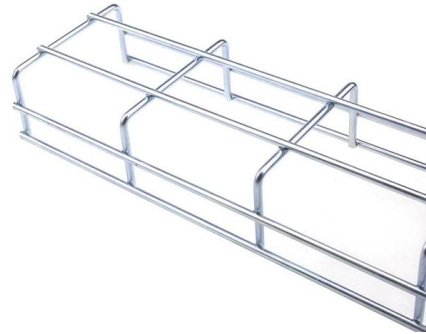
What is Selective Laser Melting (SLM) 3D



Printing: Process

What are the Key Differences Between SLM and SLS? Selective laser melting is used for metals, utilizing high-power fiber lasers to completely melt metal powder in an inert gas atmosphere.

[Contact Us](#)



TrayOptic Fiber Cables

TrayOptic Fiber Cables offer laser-optimized fiber for Gigabit Ethernet, ideal for harsh environments with features like abrasion and chemical resistance.

[Contact Us](#)

Moulded Fibre Trays replace plastic trays

Our Moulded Fibre Trays are precise, stable, and designed for automation. They enable auto-stacking and de-nesting with a very low stacking height and integrate

[Contact Us](#)



Molded Fiber Production Lines , Pulp Molding Solutions

Explore BESURE's full range of molded fiber production lines, including egg trays, tableware, industrial packaging. Fully automatic, high-efficiency solutions.

[Contact Us](#)



Splice Closure Box Easy Maintenance Fiber Melting Tray

Splice Closure Box Easy Maintenance Fiber Melting Tray, Find Details and Price about Fiber Optic Splice Closure High Capacity Cores from Splice Closure Box Easy Maintenance Fiber Melting Tray -

[Contact Us](#)



ESD Trays & ESD Containers , MFG Tray

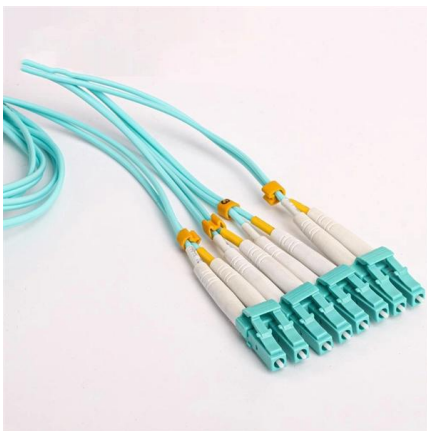
Conductive trays from Molded Fiber Glass include ESD trays and ESD Safe containers for used in electrostatic dissipative applications and environments.

[Contact Us](#)

LS-03677_LAN-1122-EN:LS-01533/LAN-84-EN

Tray-Rated Fiber Cables for Industrial Applications Fiber Powers the Factory Floor Today's industrial production environment is a digital environment. In industries ranging from auto manufacturing to

[Contact Us](#)



Pilot-scale production of fiber-based trays from

To the best of our knowledge, this work shows for the first time in literature the production of rigid trays at pilot scale, evaluating the aforementioned application, based on cellulose fibers from

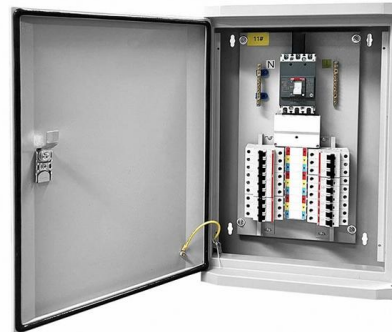
[Contact Us](#)

Fiber Splice Tray 48 Cores



The Fiber Optic Tray 48cores is a device for connecting optical cables. Operation method: introduce the optical cable into the fiber melting disc, weld it,

[Contact Us](#)



12 strand fiber splice tray

Industrial automation and smart infrastructure
Why Choose Telhua? With over 15 years of fiber optic innovation, Telhua delivers industry-leading reliability. Our 12 strand fiber splice tray is rigorously

[Contact Us](#)

new

Corning LSZHTM industrial fiber optic cables are designed for industrial building backbones and harsh environments atypical of traditional datacom systems. Based on proven stranded loose tube cable

[Contact Us](#)



INDUSTRIAL TRAY CABLE PRODUCTS

Incredible mechanical and environmental performance. occ's Tc-of Tray cable with optical fiber and optional exposed run design contains power conductors and multiple fiber optic elements. Durable

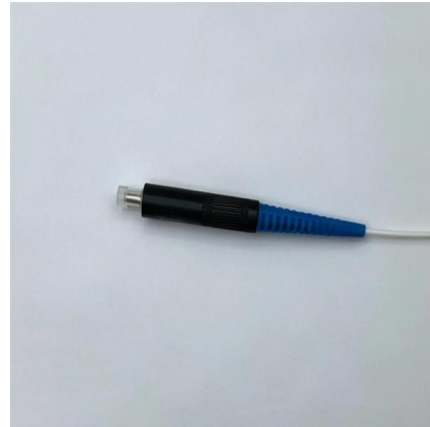
[Contact Us](#)



Molded Fiber Production Line , Besure Pulp Molding

Besure is over 25 years manufacturer of molded fiber production line and provide egg tray,egg carton and tableware.,etc.

[Contact Us](#)



Molded Pulp Fiber Food Trays in Bulk at WebstaurantStore

Serve meals at your business or cafeteria with molded fiber & pulp food trays! Shop in bulk at WebstaurantStore for fast shipping & wholesale pricing!

[Contact Us](#)



CN105005114A

The optical fiber mix-melting integrated tray is not only suitable for a traditional optical fiber communication carrier tray but also suitable for the carrier tray capable of smoothly

[Contact Us](#)



ILLIG Dry Fiber Systems

These modular and scalable production systems convert dry fiber webs (Airlaid) into rigid packaging such as yogurt cups, fruit trays, lids, containers, or blisters for

[Contact Us](#)





Layout 1

The Superwool fibre family of products offer a versatile alternative to traditional insulation solutions for commercial, industrial, and transportation applications. Thermal Ceramics Superwool fibre patented

[Contact Us](#)



Fiberglass Products for Industrial Solutions

Find the perfect fiberglass products for your industrial needs. Our solutions offer unmatched strength and reliability for various applications in your business.

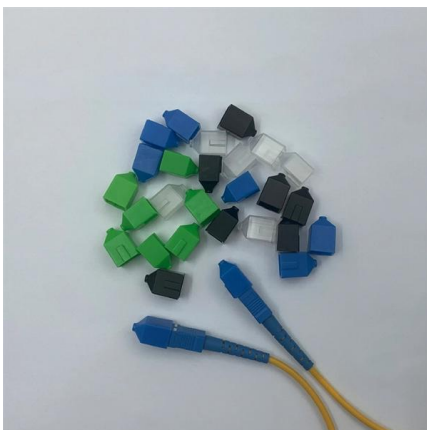
[Contact Us](#)



Material Handling Trays , MFG Tray

Leading manufacturer of high-strength, glass-reinforced composite containers, trays, boxes, flats and totes for material handling in the metal working, plastics and electronics assembly industries, as well

[Contact Us](#)



ThermoFibre

We specialise in food, consumer and industrial packaging, focusing on long shelf-life barrier packaging, particularly food trays. With our own development lab, our

[Contact Us](#)



Poly (lactic acid)--Mass production, processing, industrial applications

Global awareness of material sustainability has increased the demand for bio-based polymers like poly (lactic acid) (PLA), which are seen as a desirable alternative to fossil-based

[Contact Us](#)



Fiber Molding Tray -- Biodegradable , Made in Germany

From egg packaging to fruit and vegetable trays, electronic inlays, and cosmetic trays: the fiber molding tray is a true all-round performer among sustainable packaging formats. We manufacture your fiber

[Contact Us](#)

Contact Us

For datasheets, pricing, or custom fiber access solutions, please visit:
<https://www.frindel.es>