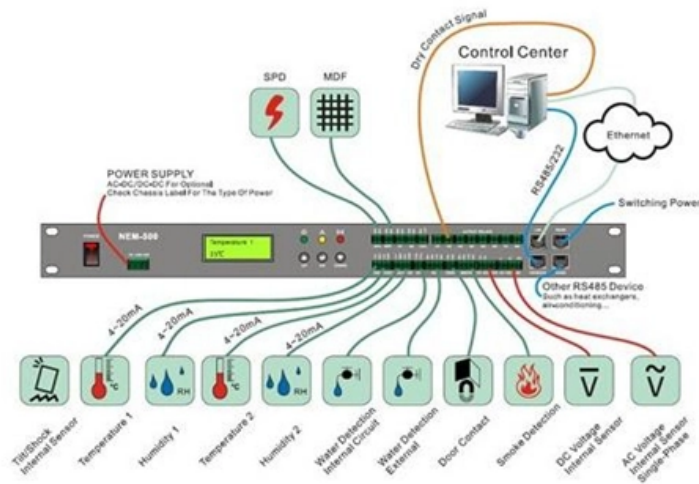


# How to distribute electricity meters in a distribution box





## How to distribute electricity meters in a distribution box

---



### energy meter connection with distribution box #electrical

In this video, we'll show you how to connect an energy meter to a distribution board (DB) safely and efficiently.

[Contact Us](#)

### Where Can I Put My Electrical Meter Box

Learn where to install your electrical meter box for safety, easy access, and regulation compliance with expert tips and maintenance advice.

[Contact Us](#)



### Residential Electric Meter Box Wiring Diagram Guide

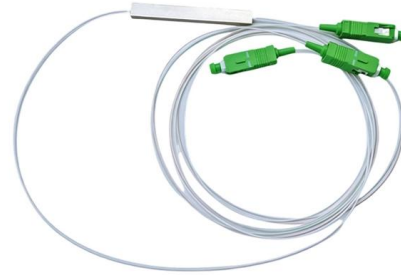
Clear wiring diagram for residential electric meter box, showing connections, safety components, and layout for accurate installation and maintenance.

[Contact Us](#)



### Wiring of the Distribution Board From Energy Meter to

Below is a Wiring diagram of the distribution board, Single phase electric supply from electric pole and Energy meter to the main distribution board (Without RCD)



### **Meter Box vs Distribution Box: 8 Key Differences You Must Know**

Understand the difference between meter boxes and distribution boxes, their roles, safety functions, standards, and correct applications in electrical systems.

[Contact Us](#)



### **Understanding Distribution Boxes: A Comprehensive Guide**

A distribution box, also known as a power distribution box or electrical distribution box, is used to distribute electrical power safely to multiple

[Contact Us](#)



### **Complete Guide For Distribution Boxes Types**

Distribution boxes, also known as electrical distribution boards or panels, are pivotal components in electrical systems, ensuring the safe and organized distribution of

[Contact Us](#)

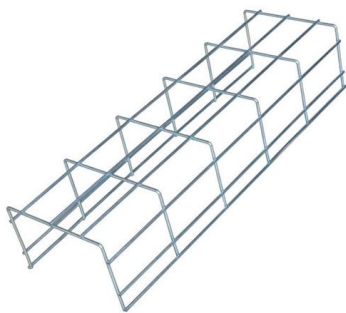




## How to Wire a Home Distribution Box

In this video, we'll walk you through the process of wiring a home distribution box with a detailed connection diagram. Whether you're an electrician or a DIY

[Contact Us](#)



## How to Wire a Home Distribution Box

The above mentioned electrical wiring accessories and protective devices are used to control and distribute electric supply (safely to connected electrical appliances)

[Contact Us](#)



## Power Distribution Boxes Explained Simply

A power distribution box plays a vital role in any electrical system. It receives electricity from the main supply and distributes it safely to various circuits

[Contact Us](#)



## Wiring of the Distribution Board From Energy Meter to

In this video we learn electrical engineering basics by learning a single phase meter wiring diagram. How electricity reaches our homes from the power station,

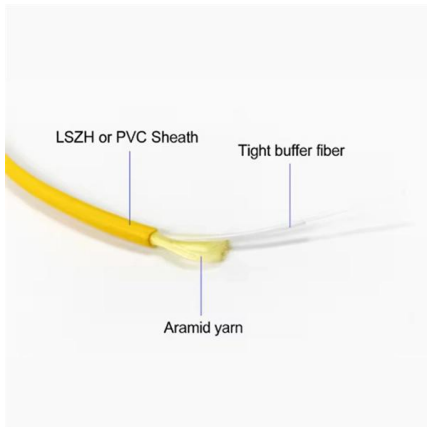
[Contact Us](#)



## Guidance on designing and constructing new builds to be smart-meter

Guidance to create successful smart meter installations in domestic and non-domestic new builds. Smart meters are used to measure electricity or gas usage and send this information

[Contact Us](#)



## Where Is the Distribution Box Located and How to Find It

Bottom Line Up Front: Your home's distribution box (electrical panel) is typically located in the basement, garage, utility room, or mounted outside near

[Contact Us](#)

## How to Install an Electric Meter Box: A Step-by-Step Guide

Step-by-step guide to installing an electric meter box. Learn safety tips, wiring steps, troubleshooting, and when to call a pro.

[Contact Us](#)



## How to Install a Distribution Box--A Comprehensive

First of all, you need to have a simple understanding of the definition of a distribution box, and make it clear which kind of distribution box you want to

[Contact Us](#)





## A Definitive Guide To Distribution Boxes

The distribution box acts as the center of power distribution, distributing electricity to all connected devices. A distribution box, also known as a distribution board, panel board, breaker

[Contact Us](#)



## Smart meter installations in domestic new build premises

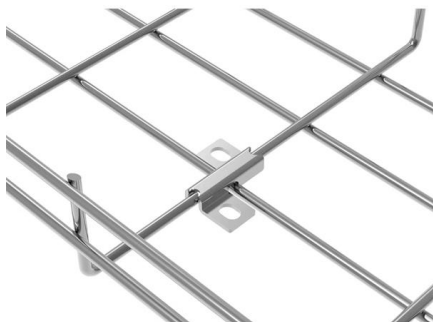
Guidance to create successful smart meter installations in domestic new build premises. Smart meters are used to measure electricity or gas usage and send this information directly to the

[Contact Us](#)

## What Is a Distribution Box?

A distribution box is a device that, as the name suggests, is designed to distribute electrical power. It takes the electrical power from the main power

[Contact Us](#)



## The Complete Guide to Distribution Box: Installation, Types & More

What's the difference between a distribution box and a sub-panel? A distribution box typically refers to the main electrical panel that receives power from the utility service. A sub-panel is

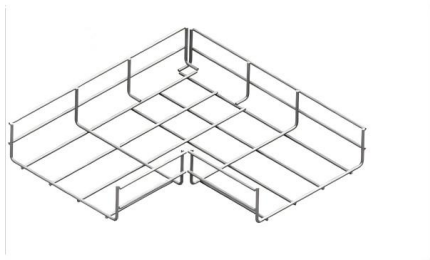
[Contact Us](#)



## Distribution Box: Types and Functions , Axis-Electricals

A distribution box ensures that electrical supply is distributed in the building, also known as a distribution panel, panel board, breaker panel, or electric panel.

[Contact Us](#)



## Wiring Diagram for Electric Meter Box

Learn how to wire an electric meter box with a detailed wiring diagram. Follow step-by-step instructions to ensure a safe and efficient installation.

[Contact Us](#)

## What is an Electrical Distribution Box? A

When it comes to electrical safety, every building -- whether it's a cozy home or a sprawling factory -- needs a secure system to manage and

[Contact Us](#)



## How to Install a Distribution Box--A Comprehensive

Whether you are an electrical contractor or a construction brigade, knowing how to properly and safely install distribution boxes is the basis of

[Contact Us](#)





## The installation requirements for the distribution box

A distribution box is the heart of any electrical system. It takes the incoming power and safely distributes it to different circuits throughout your

[Contact Us](#)



## Contact Us

---

For datasheets, pricing, or custom fiber access solutions, please visit:  
<https://www.frindel.es>