

GPT optical communication equipment





GPT optical communication equipment



OLT (Optical line terminal) , G-PON (Gigabit passive optical network

G-PON OLT (Optical line terminal) A gigabit passive optical network (G-PON) comprises optical line terminals (OLTs) and optical network units (ONUs), and Murata's lineup of products for use in OLTs

[Contact Us](#)

OptoGPT harnesses AI to automate, speed design of

Researchers at the University of Michigan (U-M; Ann Arbor, MI) can now more accurately determine the optical properties needed to design better and more



[Contact Us](#)



Best AI Models of April 2026: GPT-5.5, Claude Opus 4.7, and

April 2026 witnessed a groundbreaking period in AI with the release of GPT-5.5, Claude Opus 4.7, Gemini 3.1 Pro, and others. GPT-5.5 stood out for its fully retrained base architecture, achieving top

[Contact Us](#)

Home , Telecommunication Engineering Centre , Department of

Home , Telecommunication Engineering Centre , Department of

[Contact Us](#)



Optical line terminals

Our SDX 6000 Series of software-defined optical line terminals (OLTs) consists of open and disaggregated access devices that support a broad range of PON

[Contact Us](#)

Revolutionizing Data Centers with 800G Optical

This article delves into the impact of AI on reshaping data center networks and fueling the growth of high-performance 800G optical transceivers.

[Contact Us](#)



Optical Fiber And The Generative AI Revolution , Corning

When it comes to enabling this transition, seeking cabling solutions that can support extensive GPU clusters - whether they comprise 16K or 24K



[Contact Us](#)



Fiber Optic Communication Equipment

Discover the game-changing fiber optic communication equipment and optical communication devices by JUNPU. Boost connectivity and data transfer like never before! Experience the future now.

[Contact Us](#)



GPT COMMUNICATIONS HAS LINE-OF-SIGHT ALTERNATIVE TO

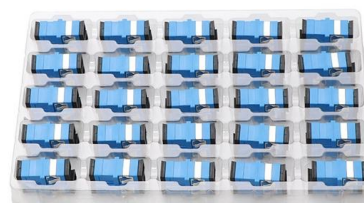
Yet, considering that the equipment is solid state, and should require little in the way of maintenance, it remains to be seen whether GPT has over-estimated the value that users will put on

[Contact Us](#)

Optical Communication Equipments Market 2026: A Deep Dive

Optical Communication Equipments Market size was valued at USD 10.5 Billion in 2024 and is forecasted to grow at a CAGR of 8.

[Contact Us](#)





Corning Optical Communications , Fiber Optic

We deliver optical connectivity solutions for every segment of the network, including carriers, data centers, in-building networks, and original equipment manufacturers

[Contact Us](#)

OPTICAL COMMUNICATION TERMINAL

The smaller aperture size required for optical communication relative to conventional RF technology, allows for a smaller, lighter OCT package with the additional benefit of less beam spreading.

[Contact Us](#)



ChatGPT

Log in or sign up to ChatGPT Continue with Google Continue with Apple Continue with phone OR Continue Try it first ChatGPT Terms of use Privacy policy

[Contact Us](#)

Optical Communication

Building on its 25+ years of expertise in designing tailor-made optical systems for the most demanding space programs, Bertin Technologies, through its Bertin

[Contact Us](#)





Optical Communication Equipment Market Report , Global Forecast

The global optical communication equipment market size was valued at USD 22 billion in 2023 and is expected to reach USD 45 billion by 2032, growing at a compound annual growth rate (CAGR) of

[Contact Us](#)

GPON OLT Basics and Beyond: A Comprehensive

In today's rapidly evolving optical networking landscape, GPON (Gigabit Passive Optical Network) technology stands as the mainstream solution

[Contact Us](#)



Understand GPON Technology

This document describes the Gigabit Passive Optical Network (GPON) technology and how it functions.

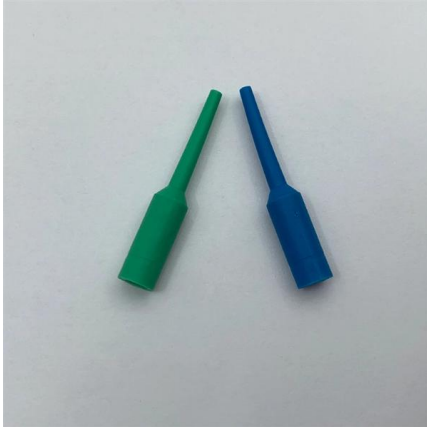
[Contact Us](#)

Optical Devices for Communication , Anritsu Asia Pacific

This page describes Optical Devices for Communication, such as Pump LD, SOA and Gain chips.

[Contact Us](#)





GPT-Enabled Digital Twin Assistant for Multi-task Cooperative

A GPT-enabled digital twin (DT) assistant is implemented with the capabilities of intention understanding, analysis, reasoning, and complex multi-task collaboration, which integrate DT

[Contact Us](#)

GPT Security, communication and fiber services

Communication Communication Communication
Our team will assist you in the design and installation of the most desirable network for your project. We provide

[Contact Us](#)



Optical Communications OPTICAL COMMUNICATIONS PRODUCTS

Coherent enables Co Packaged Optics with lasers, detectors, silicon photonics engines, passive optics, drivers/TIAs, fiber arrays, polarization maintaining fibers, and thermal solutions supporting today's

[Contact Us](#)

AlarmGPT: an intelligent alarm analyzer for optical networks using a

To address this issue, we propose an intelligent alarm analysis assistant, "AlarmGPT," for optical networks, utilizing a generative pre-trained transformer (GPT) and LangChain.

[Contact Us](#)





OptiComm-GPT: a GPT-based versatile research assistant for optical

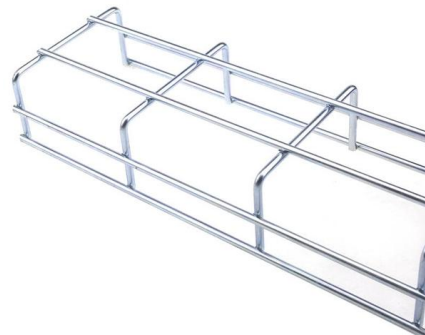
A GPT-based versatile research assistant named OptiComm-GPT is proposed for optical fiber communication systems, which flexibly and automatically performs system simulation, DSP

[Contact Us](#)

Cisco Optics , Transform Your Network

Get the highest quality, performance-leading optical transceivers for any network architecture. Find the transceiver model to fit your network.

[Contact Us](#)



Technical Specification of Fibre Optic Terminal Equipment And

1.2.1 Description The proposed fibre optic communication network shall support the voice & data communication requirements of RTUs and the SCADA/EMS system. The communication system

[Contact Us](#)

Optical Communication and Networking Equipment Companies

The research insight on optical communication and networking equipment market highlights the growth strategies of the companies. Know the future scenario, forecast, and current trends in optical

[Contact Us](#)





Newport

Crafting the Future of Optics Go behind the scenes in our Irvine, CA, precision-focused optics lab where custom lenses, coatings, and ultra-accurate measurements come together.

[Contact Us](#)

Contact Us

For datasheets, pricing, or custom fiber access solutions, please visit:
<https://www.frindel.es>