

# **Fiber optic terminal box DIN rail installation**





## Fiber optic terminal box DIN rail installation



### DIN Rail Boxes

LightMax® introduces its range of DIN Rail Splice Boxes, designed to facilitate the termination and connection of fiber optics in a wide variety of applications. Available in 3 versions to suit your needs:

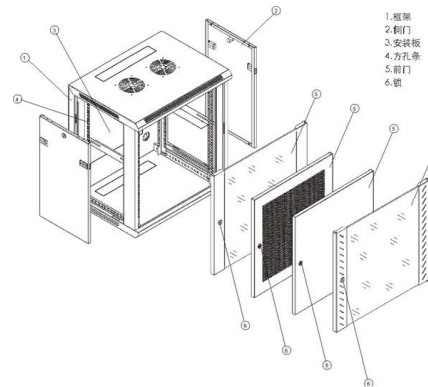
[Contact Us](#)



### DIN-FB Din Rail Terminal Box Features Applications

DIN-FB Din Rail Terminal Box DIN-FB Series plastic terminal box is suitable for protective connection of fiber optic cable and pigtail, the box is made of ABS + PC flame retardant plastic, and the adapter

[Contact Us](#)



### DIN Rail Fiber Terminal Boxes for Industrial Networks

That's where DIN rail mounted fiber terminal boxes come in. Designed specifically for control panels, automation cabinets, and harsh-field

[Contact Us](#)

### Phoenix Contact 2700173 Inline Terminal; 8 Inputs;

Phoenix Contact Inline Series --The Flexible I/O System for the Control Cabinet , Modular IO Terminals & Block IO Modules:Discover the practical advantages of

[Contact Us](#)



### **FTTH Terminal Box**

Easy installations: Ready for wall mount - installation kits provided. Lower Insert loss and easy splicing. Suitable for SC,FC, ST,LC,duplex and simplex both available

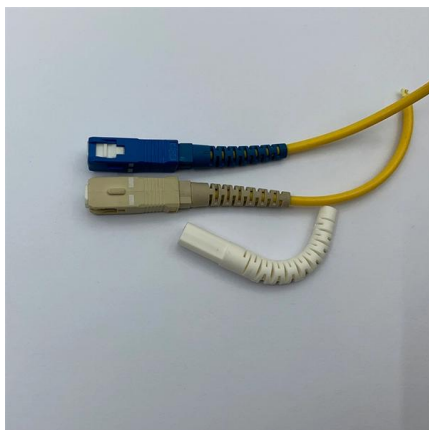
[Contact Us](#)



### **6C DIN Rail Fiber Terminal Box - FTTH Mounting**

Housed in a white & black plastic shell, it offers excellent durability while maintaining a lightweight and cost-effective design. With flexible adapter

[Contact Us](#)



### **ACT DIN rail fiber optic terminal box unloaded, 12 ports**

DIN Rail Fiber optic terminal box is available for the distribution and terminal connection for various kinds of optical fiber system, especially suitable for mini-network terminal distribution, in which the optical

[Contact Us](#)



### **6C DIN Rail Fiber Terminal Box - FTTH Mounting**

The 6C DIN rail fiber terminal box offers compact fiber splicing and termination with SC/LC adapter support, ideal for FTTH and ODF cabinet

[Contact Us](#)



### **Fiber Optic DIN Rail Box**

This box provides distribution and terminal connections for a variety of optical fiber systems where optical cables, patch cords, or pigtailed need to be efficiently

[Contact Us](#)



### **Aluminum DIN Rail Fiber Optic Terminal Box**

Telhua's Aluminum DIN Rail Fiber Optic Terminal Box offers high-density, reliable fiber termination with tool-less installation. IP65 rated, compliant with IEC/TIA/EIA

[Contact Us](#)



### **DIN Rail Enclosure Installation Procedure**

Contents: 1 DIN Rail Enclosure with fixed outer housing, sliding inner housing, 1-2 (12)-fiber splice sleeve holders, grounding screw, and either factory-installed liquid tight cable glands or rubber horse

[Contact Us](#)



### Wall box DIN , Foss fiberoptics

A flexible panel suited for DIN-rail mounting. The panel is modular and may be delivered in variable sizes. The base unit has room for up to 24 LC-connectors or

[Contact Us](#)



### DIN Rail Fiber Optic Terminal Box (6 port SC Duplex)

Optimize and organize your fiber optic installations with our high-quality DIN Rail Fiber Optic Patch Panels, designed specifically for compact, industrial, and high

[Contact Us](#)

### 6C & 12C DIN Rail Fiber Terminal Box - Compact FTTH

The 6C & 12C DIN Rail Mounted Fiber Optic Terminal Box is a compact and reliable solution for managing fiber terminations in FTTH, telecom,

[Contact Us](#)



### DIN Rail Termination Boxes

DIN Rail termination boxes are particularly effective in limited spaces, allowing for the efficient organization of fiber optic cables. Their advanced design enables easy installation and maintenance.

[Contact Us](#)



## Fiber Optics Terminal Box Din Rail Mounted

Solutions » Fiber Solutions » Distribution Boxes » Fiber Optics Terminal Box Din Rail Mounted  
Applications: FTTX Deployments Inside buildings Inside a PLC control

[Contact Us](#)



## Dinrail Distribution And Enclosure Box, Din Rail Junction

The DIN rail terminal box is mainly used for connection and storage between optical fiber and cable and equipment pigtail, which can meet the customer's use in the

[Contact Us](#)

## DIN Rail Fiber Termination Box 12 Port , Advanced Fiber

We offer customized services for DIN rail fiber terminal boxes, including ODM options for various port configurations such as 6 ports or 8 ports. Moreover, we provide

[Contact Us](#)



## FTTH Terminal Box 12 Core DIN Rail Plastic Box With

DIN Rail Fiber optic terminal box is available for the distribution and terminal connection for various kinds of optical fiber system, especially suitable for mini

[Contact Us](#)



### **DIN-FB Din Rail Terminal Box Features**

DIN-FB Din Rail Terminal Box DIN-FB Series plastic terminal box is suitable for protective connection of fiber optic cable and pigtail, the box is made of ABS + PC flame retardant plastic, and the adapter

[Contact Us](#)



### **DIN-FB Din Rail Terminal Box**

DIN-FB Din Rail Terminal Box DIN-FB Series plastic terminal box is suitable for protective connection of fiber optic cable and pigtail, the box is made of ABS + PC flame retardant plastic, and the adapter

[Contact Us](#)



### **DIN Rail Fiber Optic Termination Box FTTH 12 Core**

Product Description DIN Rail Fiber Optic Termination Box FTTH 12 Core is available for the distribution and terminal connection for various kinds of optical fiber

[Contact Us](#)



### **datasheet-2558-din-rail-fibre-optic-terminal-box-1**

NORDEN Fibre optic DIN rail mounted terminal box is available for the distribution and terminal connection for various kinds of optical fibre system, especially suitable for mini-network terminal

[Contact Us](#)





### Fiber optic DIN rail box: Industrial-grade solutions for

A professional fiber optic top-hat rail box makes fiber optics "suitable for industry" - it combines proven DIN rail mounting with the advantages of

[Contact Us](#)



### 12 Fibers DIN Rail Fiber Optic Splice

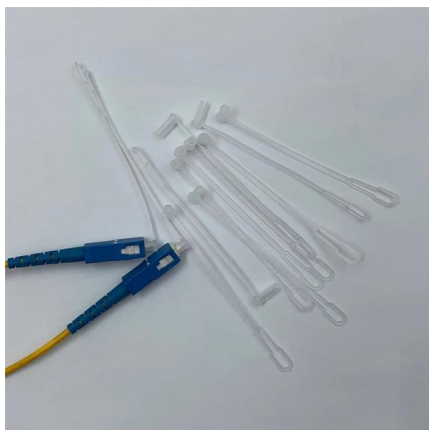
Light weight, small size, easy installation. Suitable for DIN rail application. Provide splice protection of fiber cable and pigtailed. Made of cold

[Contact Us](#)

### Fiber optic DIN rail box: Industrial-grade solutions for

Talk to us - together we will develop the optimum DIN rail box fiber optic solution for your automation project. Contact us for an individual

[Contact Us](#)



### DIN-FB Din Rail Terminal Box Features Applications

Flip design, compact structure and easy operation Variety of iron adapter strips, customised DIN rail mounting, without screwing, easy maintenance Bracket supporting, can be installed in the cabinet

[Contact Us](#)



## DIN Rail Mounted Fiber Optic Terminal Box

A Professional China termination box fiber optic supplier with 15 Years Experiences. We Carry Out 5S Management and Have Advanced International Equipment. DIN

[Contact Us](#)



## Contact Us

---

For datasheets, pricing, or custom fiber access solutions, please visit:  
<https://www.frindel.es>