

# **Fiber optic single-mode single-fiber connector**





## Overview

---

are used to join optical fibers where a connect/disconnect capability is required. Due to the sophisticated polishing and tuning procedures that may be incorporated into optical connector manufacturing, connectors are generally assembled onto optical fiber in a supplier's manufacturing facility.



## Fiber optic single-mode single-fiber connector

---



### Single-mode optical fiber

Optical fiber connectors are used to join optical fibers where a connect/disconnect capability is required. The basic connector unit is a connector assembly. A

[Contact Us](#)

### Singlemode Fibre Optic Connectors

Buy Singlemode Fibre Optic Connectors. Farnell® UK offers fast quotes, same day dispatch, fast delivery, wide inventory, datasheets & technical support.

[Contact Us](#)



### Fiber Optic Cable Assemblies

Corning offers the most complete line of connectors and factory-terminated cables, from single-fiber patch cords to high-fiber-count assemblies.

[Contact Us](#)



### Single-mode optical fiber

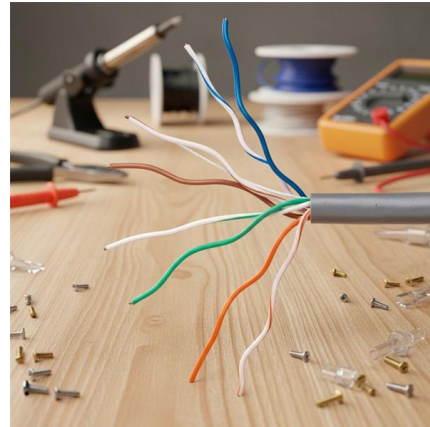
OverviewConnectorsHistoryCharacteristicsFiber optic switchesQuadruply clad fiberExternal links

Optical fiber connectors are used to join optical fibers where a connect/disconnect capability is required. The basic connector unit is a connector



assembly. A connector assembly consists of an adapter and two connector plugs. Due to the sophisticated polishing and tuning procedures that may be incorporated into optical connector manufacturing, connectors are generally assembled onto optical fiber in a supplier's manufacturing facility. However, the assembly and polishing operations involved can be performed in t

[Contact Us](#)



### Fiber Optic Cable Types: A Complete Guide

The three main types of fiber optic cable are single mode fiber, multimode fiber, and plastic optical fiber. Single mode fiber has

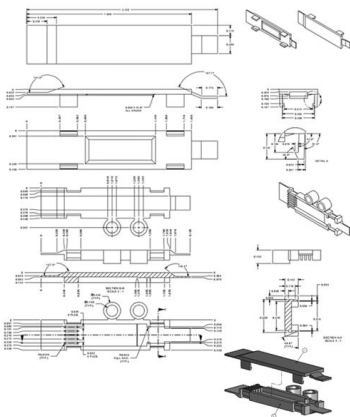
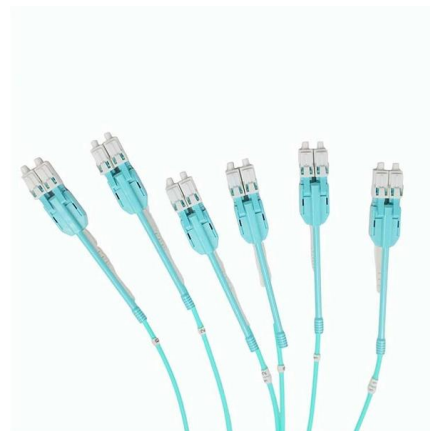
[Contact Us](#)



### Fiber Optic Connectors & Ceramic Ferrules , SC, LC, FC, ST, MPO

High-precision Fiber Optic Connectors and Zirconia Ceramic Ferrules for superior network termination. Shop widely used types (SC, LC, FC, ST) and termination kits suitable for Single-mode and Multi

[Contact Us](#)



### The global Europe Single-Mode Fiber Optic Connectors market size

The comprehensive "Europe Single-Mode Fiber Optic Connectors market" research report is essential for understanding current trends, consumer preferences, and competitive dynamics. This

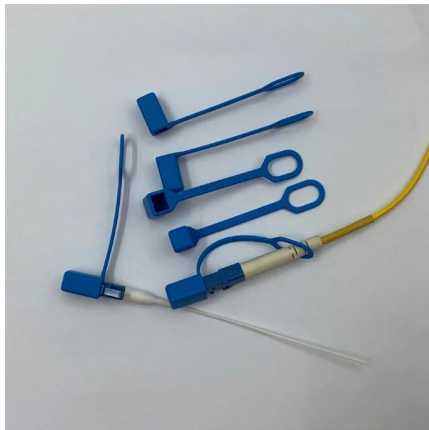
[Contact Us](#)



## Single Mode vs. Multimode Fiber Optic Cables

There are two main types of fiber optic cables: single mode and multimode. Although they can do the same job in some instances, the different

[Contact Us](#)



## Understanding Single Mode LC Connector: A

This guide will explain their functions, discuss the role of single-mode LC connectors in modern fiber optic systems, and present the logic for their

[Contact Us](#)

## Fiber Optic Patch Panel Guide

Can I mix single-mode and multi-mode fiber in the same patch panel? Yes, a single patch panel enclosure can house both single-mode and multi-mode fibers, provided they are routed into

[Contact Us](#)



## Singlemode Fibre Optic Connectors - Mouser Europe

Mouser offers inventory, pricing, & datasheets for Singlemode Fibre Optic Connectors.

[Contact Us](#)



## Polarization-Maintaining Single Mode Optical Fiber

Thorlabs offers both PANDA and Bow-Tie Single Mode Polarization-Maintaining (PM) fiber. These two fibers are named based on the stress rods used. Stress rods run

[Contact Us](#)



## Can we connect multimode SFP with Single mode fiber?

Learn why connecting multimode SFP transceivers to single mode fiber isn't recommended. Technical explanation of compatibility issues and

[Contact Us](#)

## Single Mode Fiber Optic Connectors

Thorlabs stocks an extensive selection of single mode fiber optic connectors, available for immediate shipping. Choose from FC/PC, FC/APC, ST/PC, LC/PC, E-2000/PC, SC/PC, or SC/APC style

[Contact Us](#)



## Fiber Connector, UniCam SC SPC Male, Single mode

Save time and money by utilizing these pre-polished, no epoxy fiber connectors.

[Contact Us](#)





## Fiber Optic Cable Types , Omnitron Systems Guide

Explore fiber optic cable types, features, and applications. Omnitron Systems explains single-mode, multi-mode, and specialty fiber solutions.

[Contact Us](#)



### Amazon : Fiber Optic Cable Connector

Amazon : fiber optic cable connector Cable Matters 6-Pack 10Gbps SC to SC APC Simplex OS2 Single Mode Fiber Optic Adapter, OS2 APC Fiber Coupler, Compatible with Verizon Fios and AT& T

[Contact Us](#)

### ST UPC Fiber Pigtail

ST upc fiber pigtail cable is available,we offer single mode and multimode fiber optic pigtails with sc/LC/FC/ST/E2000 connector, Free sample in stock!

[Contact Us](#)



### Single Mode FC/APC Fiber Optic Patch Cables

These single mode fiber optic patch cables are FC/APC terminated on both ends, making them ideal for systems that are sensitive to back reflections. The narrow

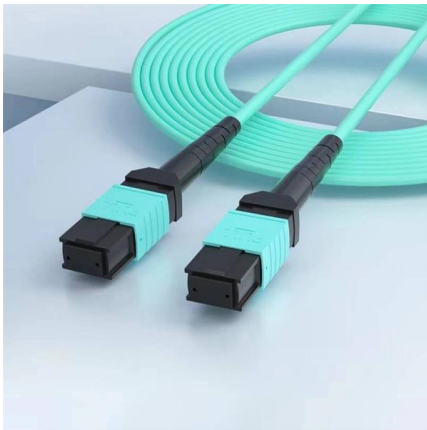
[Contact Us](#)



## A complete introduction to fiber optic connector types/single-mode and

Optical fiber has become a key technology in today's world, widely used in science, communication, industry and other fields. This article will introduce the types, specifications, application distances and

[Contact Us](#)



## Amazon : Fiber Optic Connectors

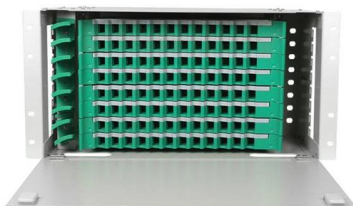
LEITE 20pcs SC UPC Fiber Optic Quick Connector with Matched Tools Fiber Fast Connectors Single Mode SM 9/125 Mechanical Splice for Fiber Network Instrument Add to cart

[Contact Us](#)

## Fiber testers : Equipment and tools , Fluke Networks

Technicians use various tools to install, maintain, and troubleshoot fiber cabling: detection and verification testers, certification testers, inspection cameras,

[Contact Us](#)



## What Is Fiber Optics? Definition from SearchNetworking

Types of fiber optic cables Multimode fiber and single-mode fiber are the two primary types of fiber optic cable. Single-mode fiber Single-mode fiber is

[Contact Us](#)



## Single -mode optical fiber connector classification

There are various types of single-mode fiber connectors available in the market, each with its own unique characteristics and applications. In this article, we will discuss some of the most

[Contact Us](#)



## FC Fiber Pigtail With Single Mode Cable Simplex

fiber optic pigtail supplier, we offer single mode and multimode cable with sc/LC/FC/ST/E2000 connector in pc or apc polishing, Free sample in stock!

[Contact Us](#)

## MultiFiber(TM) Pro Optical Power Meter and Fiber Test Kits

Typical data center fiber installation means time-consuming, manual, and imprecise MPO validation. MultiFiber Pro Optical Power Meter and Source is 90 percent

[Contact Us](#)



## 5 Meters 4 Core Industrial TPU LC to LC Outdoor

About this item 4 Core Single Mode LC Industrial Armored TPU Fiber Optic Patch Cable: Industrial TPU Jacket features strong tensile strength, high abrasion

[Contact Us](#)





## The Ideal Connector for Single-Mode Fibers

The FC Connector screw-design and alignment key makes it ideal for single-mode fibers and pioneered low loss (below 0.5dB) for single-mode fibers. Learn more.

[Contact Us](#)



## Contact Us

---

For datasheets, pricing, or custom fiber access solutions, please visit:  
<https://www.frindel.es>