

Fiber melting tray left tray right tray





Fiber melting tray left tray right tray



Essential Guide to Fiber Optic Splice Tray Solutions

We will discuss the available splice tray styles, their use, and how to install and maintain them properly. This report is mainly for network engineers and installers or anyone interested in technology since

[Contact Us](#)

Fiber Optic Splice Tray

24 Core Fiber Optic Splice Tray We are manufacturer of the 24 core fiber optic splice trays, they are used in fiber optic management applications, these fiber trays are made of high quality industrial

[Contact Us](#)



MFT-112-S2 , Multi-function Splice Trays (MFT) 1 splice tray, 12 F

The trays are engineered for use with both loose tube and tight-buffered optical cable designs. Their generous size prevents induced attenuation due to fiber bending.

[Contact Us](#)



Fiber Fusion Splice Tray Datasheet , FS

FS Fiber optic splice trays are designed to provide a location to store and to protect the fiber cables and the splices. Each tray provides space for mounting fiber splice protectors and excess fiber.



Fujikura 90R Fusion Splicer

Fujikura 90R Fusion Splicer The Fujikura 90R is the mass fusion splicer workhorse of the splicing world. As data demand continues to rise, the solution to handle the increased traffic is to increase fiber

[Contact Us](#)



Advanced Packaging Fundamentals

This eBook addresses the biggest changes in packaging, typically referred to as advanced packaging. There's no clear definition of what advanced means. Instead, the term broadly covers a number of

[Contact Us](#)



Fiber Optic Splice Tray, Fiber Optical Splice Trays

12 fiber, 24 fiber, splice trays, suitable for ribbon or round fibers, it can be opened at either left or right side, easy to operate and stackable. Our fiber optic splice trays are made of ABS, light in weight and

[Contact Us](#)





How To Use Fiber Splice Tray?

Optical fiber termination by fusion splicing or mechanical splicing is very common now with the increasing development of fiber optic network. As optical fibers are sensitive to pulling,

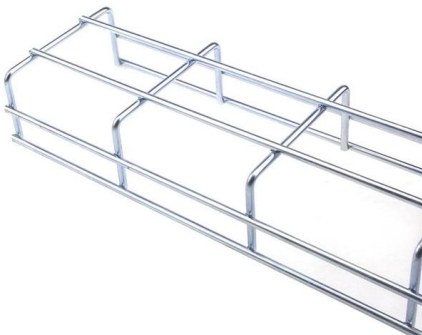
[Contact Us](#)



SCF-ST-002 Splice Trays

General 1.1 This document describes the installation of optical fiber into the SCF-ST-002 metal splice tray (Figure 1). The splice tray accepts twelve Fibrlok® or CamSplice™ splices.

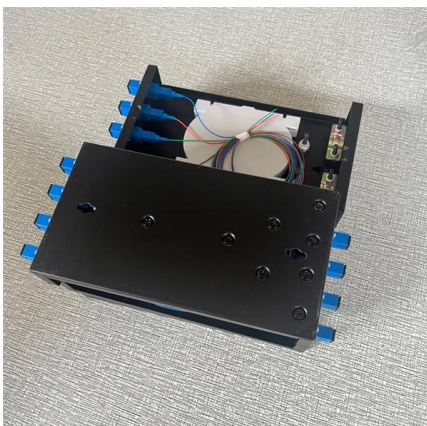
[Contact Us](#)



Pilot-scale production of fiber-based trays from

Fiber-based trays were produced in pilot scale following a thermoforming and laminating process. Trays with 20% M-HR and 40% SC-HR were adequate in weight and free of defects,

[Contact Us](#)



Fiber Splice Tray and Stacking Unit

3.4 Prior to splicing fibers install splice tray in stacking unit and loop the fiber into the position it will occupy after splicing to determine required slack length.

[Contact Us](#)

Splice Trays 12



All fibre optic splice trays from HellermannTyton (apart from IR-SC and Hellipse NZDF SC-1) can accept a range of fibre optic splice inserts (or splice bridges) which can house different numbers and

[Contact Us](#)



Fiber Splice Tray

s Profit: Fiber optic splice trays are designed to fiber management provide a location to store and to protect the fiber cables and th. splices. Each tray provides space for mounting fiber splice protectors

[Contact Us](#)



Splice Trays

Comprehensive, end-to-end fibre solutions. From connectors and patch leads to high-performance cable and panels, we offer a full suite of single mode and multimode products.

[Contact Us](#)



Nature-inspired molded fiber tray production

Molded fiber tray production offers environmentally friendly and economical packaging solutions with recycled materials.

[Contact Us](#)





A double-sided fiber melting integrated tray

The double-sided fiber-melting integrated tray provided by the utility model not only improves the utilization rate of the inner space of the tray, but also ensures that the tray is more

[Contact Us](#)



What Is Fiber Splice Tray?

The design of the two fiber splice tray is different from the above ones, which is suitable for the vertical design of the fiber splice closure. Fiber Splice Tray in Fiber Distribution Box In FTTx

[Contact Us](#)



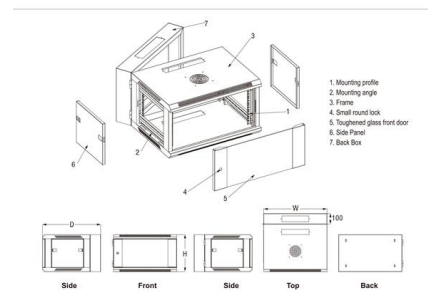
Motor protection controller



GAOTek 12 Core Fiber Optic Splice Tray (ODF module)

This 12 core Fiber Optic Splice Tray (ODF module) is an integration melting module 12 core fiber optic splice tray.

[Contact Us](#)



Fiber Fusion Splice Tray DataSheet , FS

Optical fiber glass inside the fiber tray can be melt with any other strand optical fiber in the tray, thus different fiber optic cables can be melt connected directly via the tray. Optical cable fiber can also be

[Contact Us](#)



12.0 Fibre Optic Splice Trays

The IR single circuit tray is manufactured from ABS and finished to a high specification to eliminate the risk of snagging or microbends. All retaining tabs on the tray have radius edges and rounded corners

[Contact Us](#)



Fujikura 90S Fusion Splicer

Fujikura 90S Fusion Splicer The 90S is the latest core alignment splicer from Fujikura. It's designed to give you high quality splices and to stay in the field. The 90S kit solves common problems seen in

[Contact Us](#)

Essential Guide to Fiber Optic Splice Tray Solutions

Discover essential fiber optic splice tray solutions with our comprehensive guide, designed to route and protect fiber cables while ensuring

[Contact Us](#)



High-quality ceramic ferrule



Moulded Fibre Trays replace plastic trays

Moulded Fibre Trays: The sustainable alternative to plastic Harvest Packaging is an international specialist in moulded fibre packaging with many years of production

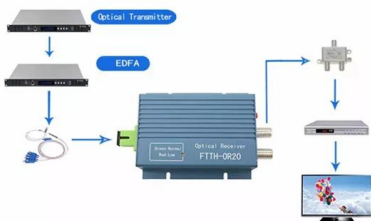
[Contact Us](#)



How to Install Fiber Splice Tray

How to Install Fiber Splice Tray Fiber splice tray is used in fiber optic cabling as a protective case for protecting splices from outside plant environment

[Contact Us](#)



FIBERLIGN ® Splice Trays

FIBERLIGN ® Fiber Optic Splice Trays are suitable for use in all PLP® Splice Cases and splicing applications. The storage trays provide ample room for storing fiber

[Contact Us](#)

Splice Closure Box Easy Maintenance Fiber Melting Tray

Splice Closure Box Easy Maintenance Fiber Melting Tray, Find Details and Price about Fiber Optic Splice Closure High Capacity Cores from Splice Closure Box Easy Maintenance Fiber Melting Tray -

[Contact Us](#)



M67-111 Metal Splice Trays

Tight-buffered fibers are generally secured with cable ties threaded through holes in the tray (Figure 5). Position cable tie buckles inside the Tight-buffered fiber tray and to one side of the cable bundle to

[Contact Us](#)



Contact Us

For datasheets, pricing, or custom fiber access solutions, please visit:
<https://www.frindel.es>