

Fiber Melting Tray Rack





Fiber Melting Tray Rack



Splicing 250 μ m Fiber in a Splice Tray for Rack-Mount

Quickly learn how to properly splice an optical fiber into a standard splicing tray. This video focuses primarily on properly accessing and routing the cable before and after splicing.

[Contact Us](#)

Rack-Mounted Optical Cable Terminal Box

It enables fiber splicing, termination, and patching in a single compact unit. With options for sliding, fixed, or modular tray designs, it supports high-density

[Contact Us](#)



19" Fibre optic panels and tray systems

In our Online Shop, you will find a wide range of 19" splice and distribution panels (1HU and 2HU) in singlemode OS2 and multimode OM3, OM4. It is possible to

[Contact Us](#)

Rack Mount Fiber Patch Panels , RLH Industries, Inc.

RLH offers a variety of Rack Mount Fiber Patch Panels as well as a large selection of Fiber Adapter Plates, Fiber Pigtails, and Fiber Adapters.

[Contact Us](#)



Get premium quality stackable fiber cassette , Nexconec

Fiber Splice Tray - FSP01 Nexconec's fibre splice tray is designed to safely splice 12 or 24 individual fibers which can be installed in rack mount patch panels, wall

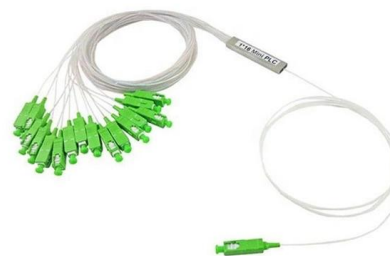
[Contact Us](#)



1U Rackmount Fiber Tray 2 Slots , NSI Distribution

This compact 1U rackmount enclosure is designed for efficient fiber optic cable management. Featuring a convenient latching slide-out tray, you'll enjoy easy

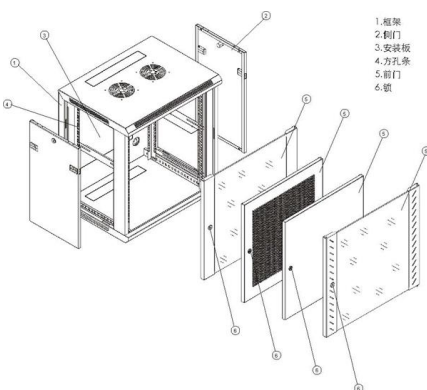
[Contact Us](#)



Fiber Management Systems , Enclosures, Cassette Modules & Panels

Amphenol FOP's Fiber Management Systems - splice trays, cassette modules, adapter panels, and high-density enclosures designed for seamless network organization and scalability.

[Contact Us](#)



1U 19" Rack Mount Fiber Optic Box Enclosure with LGX



1. Rack Mount Fiber Enclosure: 19" Fiber Optic Enclosure Box with 1 Splice Tray and Spool. This secure fiber termination box fits 19" rack cabinets and is designed to

[Contact Us](#)



Fiber Optic Splice Trays & Termination Boxes: Fusion Splicing

Our fiber optic splice trays and boxes provide a secure and organized solution for managing fiber splices in various network environments. These enclosures protect delicate spliced fibers, ensuring long

[Contact Us](#)

Fiber Management Tray Manufacturers in India

Find here Fiber Management Tray, Fiber Storage Tray manufacturers & OEM manufacturers in India. Get Contact details & address of companies

[Contact Us](#)



Panduit Opticom Rack Mount Fiber Trays

The Panduit Opticom Rack Mount Fiber Trays offer a comprehensive solution for managing fiber optic cables within a rack setup. Designed to fit seamlessly into a 19" rack system, these trays occupy only

[Contact Us](#)



Rack Mount Fiber Patch Panels , Fiber Enclosures , Multilink

Features of Our Rack-Mount Fiber-Optic Enclosures Properly designed rack mounts/patch panels are the vital foundation for any network, and Multilink's lineup features a wide variety of adapters, splice

[Contact Us](#)



Fiber Rack Solutions (CFRS) , Fiber Optic Rack Mount

Charles Industries offers top-quality Fiber Optic Rack Mount Enclosures for durable and efficient fiber optic management. Check out our solutions today. Enquire Now!

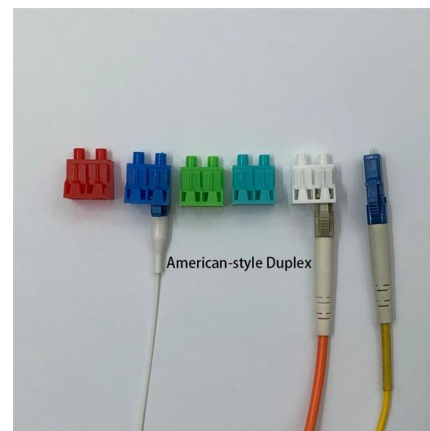
[Contact Us](#)



Amazon : 19" Rack Mount Enclosure Fiber Optic Box Fits Racks

19" Rack Mount Enclosure Fiber Optic Box Fits Racks Cabinet 1U LGX Loaded Patch Panel - Include 2Pcs Splice Trays Maximum Capacity 48 Fibers

[Contact Us](#)



Get premium quality stackable fiber cassette , Nexconec

Nexconec's fibre splice tray is designed to safely splice 12 or 24 individual fibers which can be installed in rack mount patch panels, wall mount enclosures,

[Contact Us](#)





Fiber Optic Splice Trays And Patch Panel Cassettes

The fiber tray provided by OTRANS has the characteristics of small size, light weight, beautiful appearance, compact structure, convenient fiber welding and

[Contact Us](#)



Fiber Enclosure Accessories

Buy 24 Fibers Optical Splice Tray, Fiber Slack Management Spool and Bend Control Radius Bracket for use with FS FHD Rack Mount Fiber Enclosure.

[Contact Us](#)



ICC Stackable Fiber Optic Splice Tray Closure - Holds

Description ICC's Fiber Optic Splice Tray is designed to organize and protect fusion splices in structured cabling systems. This model supports up to 24 fibers and

[Contact Us](#)



Splice Trays for Rack-Mount Enclosures

Providing fast, flexible, and cost-effective solution by means of fusion or mechanical splices, the splice trays are available in plastic and metal versions with 12-, 24-,

[Contact Us](#)





Rack Fiber Management System - A2Z Techadvantage

Overlapping fiber-melting tray and separate insulation earth unit make the disposition of the cores, expanding the capacity and cable-earthen flexible, convenient and safe.

[Contact Us](#)



Fiber Management Trays , Essentra Components US

Fiber optic cable management splice trays are components used in fiber optic networks to organize, protect, and manage fiber optic splices. The trays are designed to protect splices from the

[Contact Us](#)

Electron Metal Fiber Tray system

Electron Metal's Fiber Tray System brings a multitude of benefits to the management of fiber cable infrastructure. Its innovative design provides a dedicated space for

[Contact Us](#)



Splice Closure Box Easy Maintenance Fiber Melting Tray

Splice Closure Box Easy Maintenance Fiber Melting Tray, Find Details and Price about Fiber Optic Splice Closure High Capacity Cores from Splice Closure Box Easy Maintenance Fiber Melting Tray -

[Contact Us](#)



Cable Management

Cabinets, Thermal Management, Racks and Enclosures Our vast selection of cabinets, thermal management, racks, enclosures for data centers,

[Contact Us](#)



Rack Mount Fiber Patch Panel

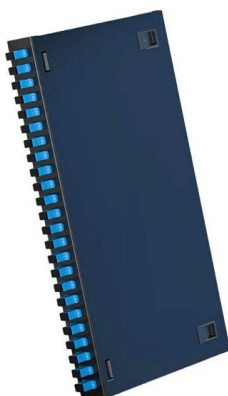
A fiber tray rack mount lets you easily access all patch cord ports with simple, flip-down panels or pull-out drawers. Combined with built-in cabling routing solutions,

[Contact Us](#)

Fiber Distribution Patch Panel, Rack Mount W/Splice Trays

1RU rack mount fiber distribution patch panel with slide-out drawer, up to 72 splices, includes three 24-fiber splice trays, fits LGX adapter panels, powder-coated steel.

[Contact Us](#)



FHD® Fiber Optic Splice Tray 24 Fusion For Rack

The fiber optical splice tray can hold and protect up to 24 fusion splices within FHD® series rack mount fiber enclosures. It is ideal for splicing OS1, OS2, OM1, OM2

[Contact Us](#)



Fiber Optic Splice Tray Supplier and Distributor

Century Fiber Optic Splice Trays Splice trays are made in our USA factory, in stock & ready to ship same day, when you need them.

[Contact Us](#)



Fiber Cable Trays

Our Fiber Cable Tray System designed to route and protect fiber optic and high-performance copper cabling to or from network cabinets, distribution frames or other devices. It includes channels,

[Contact Us](#)

Contact Us

For datasheets, pricing, or custom fiber access solutions, please visit:
<https://www.frindel.es>