



**FRINDEL OPTICS**

# **Electrical worker installing cable trays**





## Overview

---

This guide covers the critical steps, from selecting the right electrical cable tray and performing accurate cable fill calculations to managing a safe cable pull through and ensuring all bonding and grounding requirements are met. The Cable Tray system is installed in electrical rooms, plant rooms, and service. en completely installed, without damage either to conductors or structural system use maintain spacing or to keep cables in place when the tray is ect the minimum bend ra-dius for cables as they exit the bottom of the cable tray. The use and installation of cable trays is covered by legally enforceable OSHA regulations in 29 CFR 1910.



## Electrical worker installing cable trays

---



### Ultimate Guide to Cable Tray for Electrical Installations

A cable tray is a structure used to support electrical cables. It keeps them organized and safe. Think of it as a highway for your cables. This system is essential for any electrical installation.

[Contact Us](#)

### Safely Installing, Maintaining and Inspecting Cable Trays

cable tray and even leading to possible electric shock and arc-flash/blast events from component failure when the cables are suddenly no longer supported. When cable trays are overfilled, excessive heat

[Contact Us](#)



### Cable Tray and Trunking Installation Method

The primary safety risks associated with the installation of cable trays include working at heights, electrical hazards, and handling heavy materials. These risks

[Contact Us](#)



### Cable trays are structural components of a facility's electrical system

Cables in these trays are easy to mark, find, and remove. If the cable tray system is not managed properly and overloading, mixing of cable classifications, improper grounding, and other Code non



### **A Guide to Installing and Supporting Electrical Cable Trays**

This guide covers the critical steps, from selecting the right electrical cable tray and performing accurate cable fill calculations to managing a safe cable pull through

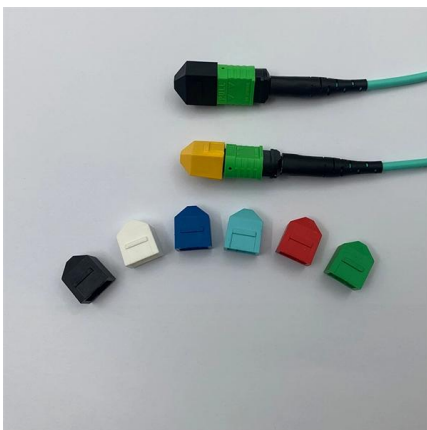
[Contact Us](#)



### **A Guide to Installing and Supporting Electrical Cable Trays**

A professional guide to installing electrical cable tray systems per NEC Article 392. Covers support, securing cables, and fill calculations.

[Contact Us](#)



### **FactSheet**

FactSheet Electrical Safety Hazards of Overloading Cable Trays According to the 2005 National Electrical Code® (NEC), a cable tray system is " unit or assembly of units or sections and

[Contact Us](#)



## Cable Tray Trunking & Ladder Installation Method for

Resources For Electrical & Electronic Engineers  
Cable Tray Trunking & Ladder Installation Method for Projects The purpose of this article is to define the

[Contact Us](#)



## Enhancing Workplace Safety with Cable Trays , Reducing Hazards

Improve workplace safety by reducing hazards and accidents with the installation of cable trays. Learn about the benefits, best practices for installation, and maintenance tips that can help

[Contact Us](#)

## Method Statement installation of Cable Trays and Ladders

The Cable Tray system is installed in electrical rooms, plant rooms, and service corridors. This section will guide you through the necessary steps to

[Contact Us](#)



## CABLE TRAYS GENERAL INFORMATION AND

Using cable trays as walkways can cause personal injury and also damage cable tray and installed cables. Performances of cable tray systems are dependent on

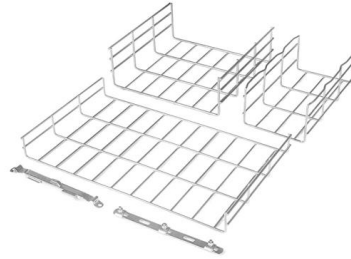
[Contact Us](#)



## JS Industrial Construction Cable Tray Elbow 90 Degrees Three Links

Fujian, China Model Number 200\*100 Brand Name JS Application Cable Laying Certification ISO9001 Thickness 0.8-3.0mm Material For Choosing Steel,Stainless steel,aluminum Feature Corrosion

[Contact Us](#)



## Cable Tray Installation and Maintenance Considerations

Learn about effective Cable Tray Installation and Maintenance. Get practical tips for planning, fitting, and looking after your cable trays.

[Contact Us](#)

## Cable Tray , EAE Electric , Medium & heavy duty cable

EAE Electric cable tray systems have been designed to and easy to install. Supply a complete range of cable tray including medium & heavy duty!

[Contact Us](#)



## Cable Tray and Conduit Installation Method Statement

Step-by-step cable tray and conduit installation method with safety, quality and inspection procedures as per IEEE standards.

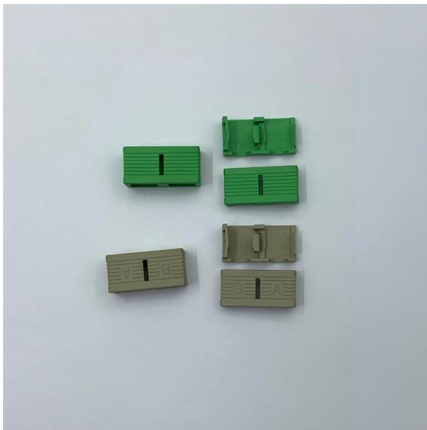
[Contact Us](#)



## Installation Of Cable In Cable Trays: NEC, Safety

Cable installed in tray is subject to many of the same considerations as cable being installed in conduit systems. Correctly calculated data and adherence to the

[Contact Us](#)



## 100+ Essential Questions Answered About Cable Trays:

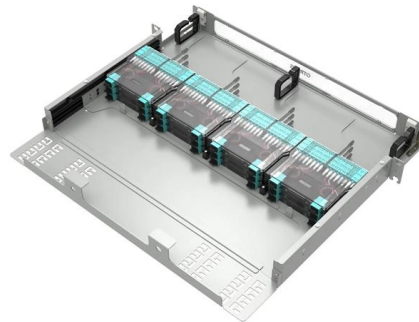
Discover over 100 expert answers about cable trays, covering key topics like material selection, load capacity, installation methods, and maintenance.

[Contact Us](#)

## Cable Tray Technical Guide A practical guide to product selection and

Cable Tray Technical Guide A practical guide to product selection and installation This guide for engineers and installers has been developed by ABB as a practical reference regarding cable tray

[Contact Us](#)



## Master Cable Tray Installation: A Professional Step-by

Learn how to install cable trays for large-scale projects with our professional, step-by-step guide covering industry standards, safety protocols,

[Contact Us](#)



## Safely Installing, Maintaining and Inspecting Cable Trays

Review the proper methods for safely installing, maintaining and inspecting electrical cable trays; Provide information regarding the hazards of overloaded cable trays;

[Contact Us](#)



## Best Practices for Installing Cables in Trays

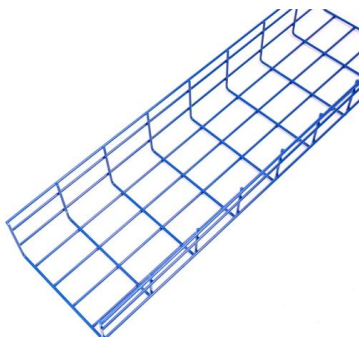
Learn the best practices for installing cables in trays. This guide covers essential steps, technical requirements, and key details

[Contact Us](#)

## Cable Tray Trunking & Ladder Installation Method for

The purpose of this article is to define the sequence and methodology for the installation of electrical cable trays, cable trunking, cable raceways and boxes,

[Contact Us](#)



## Cable Tray Installation

Whether you're building a commercial setup or upgrading an industrial plant, proper cable tray installation ensures neat wiring, safe access, and easy maintenance. But before you lay the first tray

[Contact Us](#)



## 5 Steps to Learn How to Install Cable Trays

Installing a cable tray system requires careful planning to ensure it can support the weight of the cables and adheres to electrical safety codes. Here

[Contact Us](#)



## Contact Us

---

For datasheets, pricing, or custom fiber access solutions, please visit:  
<https://www.frindel.es>