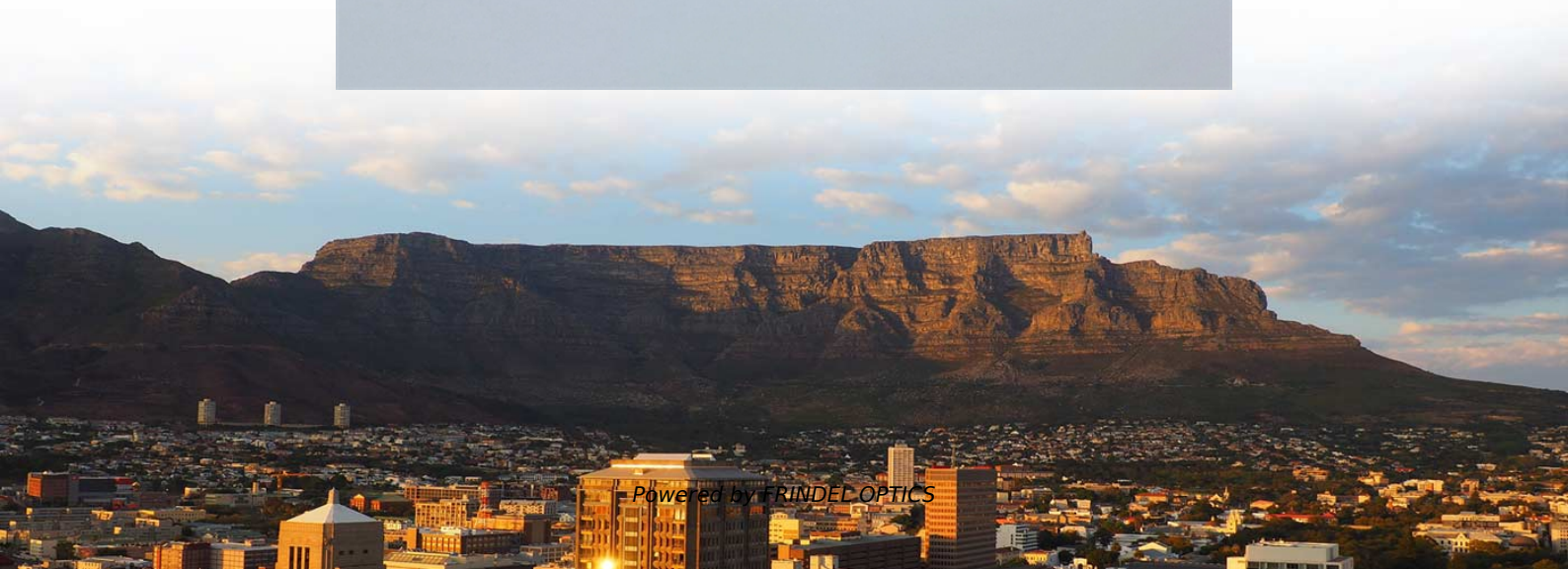
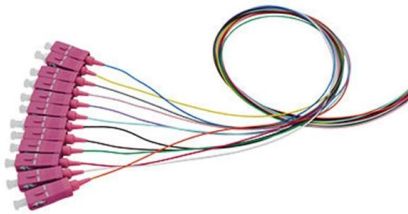


Does patch cord installation require high-quality fiber optic cables





Does patch cord installation require high-quality fiber optic cables



MPO Patch Cord: A Guide to High-Density Fiber Cabling

MPO Patch Cords in 2026: The Definitive Guide for Industrial Networks As industrial operations, data centers, and telecommunication facilities contend with escalating data volumes and

[Contact Us](#)

Single Mode vs. Multimode Fiber Optic Cables

There are two main types of fiber optic cables: single mode and multimode. Although they can do the same job in some instances, the different

[Contact Us](#)



Why the Singlemode APC 2SC to 2SC Fiber Optic Patch Cord is the

This guide explains why the Singlemode APC 2SC to 2SC fiber optic patch cord is essential for outdoor networks, detailing its unique construction, installation steps, and verification methods to ensure

[Contact Us](#)



The Pros and Cons of Single-Mode Fiber Optic Cable

You can even order your single mode fiber optic cord in custom colors! We pride ourselves on the quality of our US-manufactured Datacomm professional-grade cables, and our



LoRa handheld portable base station



Ultimate Guide to Fiber-Optic Patch Cables: Types, Selection, and

Learn about fiber optic patch cables, their types, construction, applications, and how to choose the right one for your network needs.

[Contact Us](#)

How to Make the Fiber Optic Patch Cords?

Producing high-quality fiber optic patch cords involves precise steps and procedures. This comprehensive guide will walk you through the entire process of making

[Contact Us](#)



Cables Connectors Adapters Patch Panels Wall Plates Racks

Times Microwave LMR-400 Coaxial Cable - Black ShowMeCables Enhanced High Speed HDMI Cable with Ethernet ShowMeCables offers a wide range of electronics products including many different

[Contact Us](#)



Fiber Optic Patch Cables: The Complete 2026 Buyer's Guide

Confused by LC, SC, MPO, UPC, and APC? This complete fiber optic patch cable guide covers connector types, single-mode vs multimode, insertion loss specs, and how to choose the right

[Contact Us](#)



Fiber Optic Patch Cords Guide , Types, Connectors

This guide will help you quickly understand the main types of fiber patch cords and how to choose the right solution for your project - and how ZION

[Contact Us](#)

12 Core Fiber Optic Cable

A 12 core fiber optic cable is a high-capacity data transmission medium that comprises 12 individual optical fibers in a single cable. Each fiber is designed to transmit data over long distances with

[Contact Us](#)



All Kinds of Fiber Optic Patch Cords - SC, LC, FC, ST

Learn about SC, LC, FC, and ST fiber optic patch cords, their uses in FTTH, telecom, and data centers, and how to choose the right type.

[Contact Us](#)



Patch cable

A patch cable, patch cord or patch lead is an electrical or fiber-optic cable used to connect ("patch in") one electronic or optical device to another for signal routing.

[Contact Us](#)



50KW modular power converter

Flexible Configuration

- Modular Design, Expanding as Required
- Small/light, V-Mount Mounted
- Installed in Parallel for Expansion

Powerful Function

- Support PVI ESS
- Grid Support, Equipped with SVG Technology
- On-Grid and Off-Grid Operation

Reliable Protection

- Outdoor IP65 Design
- Sufficient Protection Functions Equipped

NSComm Fiber Optic Patch Cable Installation

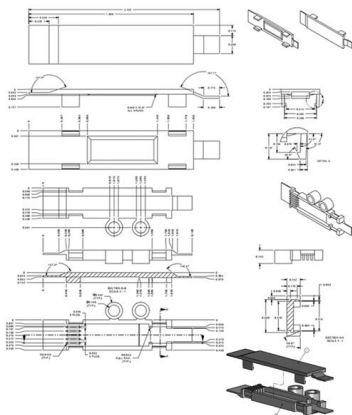
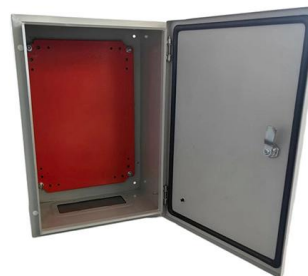
NS Comm provides enterprise-grade fiber optic patch cables engineered for maximum reliability and low-loss performance. However, proper installation techniques are essential to unlock

[Contact Us](#)

Fibre Optic Patch Cables

Selecting high-quality fibre optic patch cables is essential for maintaining network performance, reliability, and long-term cost efficiency. Poor-quality cables can

[Contact Us](#)



FOA Standard For Installing Fiber Optic Cable Plants

Ribbon Cable : Ribbon cables offer high fiber density in installations where many fibers are required and the cable must be as small as possible. See high fiber count cables below.

[Contact Us](#)



Fiber Optic Pigtail: The Complete Guide to Types, Splicing Methods

Confused about fiber optic pigtails--which connector type, which polish, fusion or mechanical splice? Our guide covers LC vs SC, APC vs UPC, splicing methods, and real-world use

[Contact Us](#)



How to correctly install fiber optic patch cords

Fiber optic patch cords must be installed correctly to ensure best network performance, reduce signal loss, and protect the sensitive fibers.

[Contact Us](#)

SC vs LC Patch Cords: Key Differences & Uses

Fiber optic patch cords are short-length cables (typically 1-10 meters) with connectors on both ends, used to link network devices like switches, routers, transceivers, and ODFs (Optical

[Contact Us](#)



Mini Fiber Patch Cords In Fiber Optic Installation

Mini fiber patch cords are small, high-performance cables employed to interconnect fiber optic equipment in a network. They serve as essential connectors in fiber optic cable installation, linking

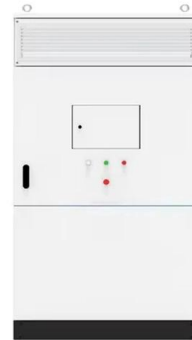
[Contact Us](#)



Cost of Fiber Optic Cable: Pricing Guide (2026)

Discover the cost of fiber optic cable in this pricing guide. Learn material prices, installation factors, and what impacts total project costs overall.

[Contact Us](#)



Cables, Adapters, & Docking Stations: USB4, USB-C,

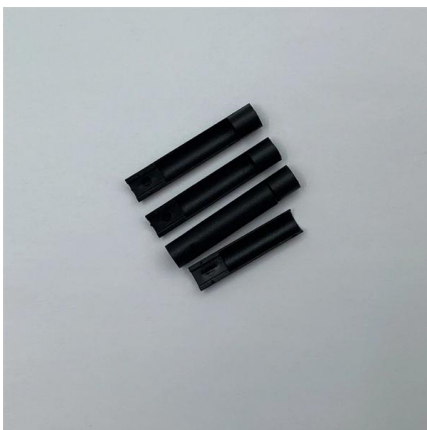
Cable Matters provides a large selection of innovative cables and accessories, we also educate consumers on the best product offerings. USB4, USB C,

[Contact Us](#)

Key Quality Indicators and Technical Parameters of

Fiber optic patch cords are essential components in modern optical communication networks, widely deployed in data centers, telecommunications,

[Contact Us](#)



Fiber Optic Cable Types: A Complete Guide

The plethora of fiber optic cable types can seem overwhelming, but choosing the right cable for the job is important.

[Contact Us](#)



China Fiber Optic Cable Manufacturer , Direct Factory Price & OEM

Looking for a reliable Fiber Optic Cable Manufacturer? Wolon offers high-quality indoor, outdoor, ADSS, and drop cables at factory direct prices. ISO certified, OEM/ODM available, and fast global shipping.

[Contact Us](#)



Guideline for Fiber Optic Patch Cord: Ensuring Reliable

Adhering to a comprehensive guideline for fiber optic patch cords is essential for ensuring reliable connectivity and optimal performance in fiber optic networks.

[Contact Us](#)

Proper Patchcord Installation for Reliable Fiber

Correct patch-cord installation is essential for maintaining low insertion loss, stable return loss, and long-term reliability in both indoor and

[Contact Us](#)



Contact Us

For datasheets, pricing, or custom fiber access solutions, please visit:
<https://www.frindel.es>