

Core issue Communication failure with access switch





Overview

Troubleshoot the connectivity issues of a switch by diagnosing the wired network. 0 trunk port enabled for vlan 103 able to ping access switch Access switch management vlan 192. We have a Huawei Core switch and a Dlink plug and play switch before the new Huawei Access switch was deployed. Network switches can experience various operational issues that disrupt network connectivity. These failures range from simple connection problems to complex configuration issues. Moving Firewall, no big issue and we connected it up to the 9000 and it reconnected with the other Firewall and they connect to each other, we move the active firewalls from the firewall connected to the N5K switch to the firewall connected N9K switch.



Core issue Communication failure with access switch



Internet not reaching Core/Access Switch

Router has internet but Core Switch not picking, what i'm i missing? Router and Switch can ping each other Router Configs Router#sh run Building configuration Current configuration :

[Contact Us](#)

Core, Distribution, and Access Layer Explained with

Small business implementations: Collapsed core
Small to medium businesses don't need the same scale, but they can still benefit from the

[Contact Us](#)



Top 9 Reasons for Network Switches Failure

Network switch failures can cause network downtime, affecting our business, production, and damage to our property, so we have to troubleshoot

[Contact Us](#)

Fix an issue with my mobile device

Fix connection issues These options can be completed by accessing different settings on your mobile or device. Issues these steps can help with: Aeroplane

[Contact Us](#)



Core Switch and Access Switch Crisis

We have a Huawei Core switch and a Dlink plug and play switch before the new Huawei Access switch was deployed. I discovered that everyone on the Core Switch and Dlink Switch is all

[Contact Us](#)



How can I fix the ADT alarm communication failure issue?

How to Fix ADT Alarm Communication Failure: A Step-by-Step Guide o Discover how to fix the frustrating ADT alarm communication failure issue in this step-by-step guide. Learn what causes this

[Contact Us](#)



Network Switch Troubleshooting Guide: Common

A comprehensive switch troubleshooting from the physical layer to the data link layer to the network layer to find out why your network switch is not

[Contact Us](#)

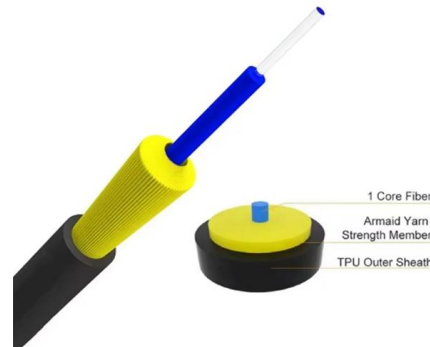




How to Troubleshoot Network Switch Issues: 4 Common

In this guide, we'll explore four common network switch failures that you might come across: For each issue, we'll provide practical troubleshooting

[Contact Us](#)



Fix Network Switch Failure: Step-by-Step Guide

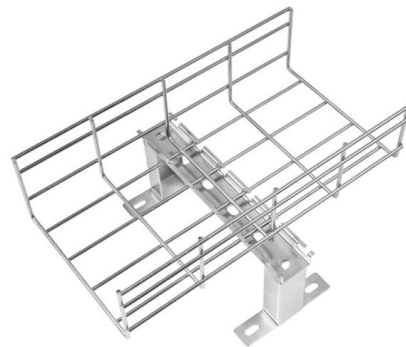
Introduction A network switch failure can disrupt business operations by causing connectivity issues, packet loss, and downtime for connected devices. Whether

[Contact Us](#)

Troubleshooting Network Access Layer Issues

Most issues that affect a switched network are encountered during the original implementation. Theoretically, after it is installed, a network continues to operate without problems.

[Contact Us](#)



Core to access switch ping working and access to core is not pinging

Hi, we are facinf and issue with ping from access to core core management vlan 98 192.168.98.1 255.255.255.0 vlan 103 192.168.103.1 255.255.255.0 trunk port enabled for vlan 103

[Contact Us](#)



Network Switch Troubleshooting Guide: Common Problems and

A well-functioning network relies on the smooth operation of network switches. However, failures can occur, causing disruptions and impacting overall connectivity. When a switch fails, it's

[Contact Us](#)



Solved: New Core Switch

As soon as any VS is moving from 1 box to the other this is seen as illegal by some switches, same in VMware switches. I myself never dealt with the 9000's but this is where I would

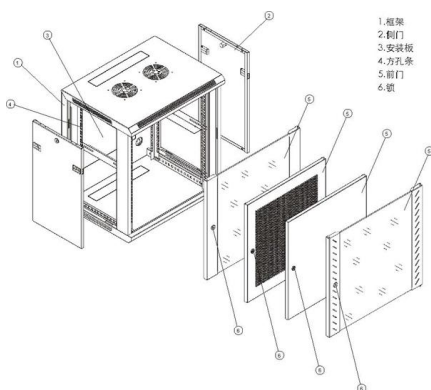
[Contact Us](#)

Access Switch vs. Core Switch

Access Switch vs. Core Switch What's the Difference? Access switches are typically used to connect end devices such as computers, printers, and IP phones to the network. They are responsible for



[Contact Us](#)



Switching Design with Access, Distribution and Core Level

Hi Support, I read that in the Campus architecture, we have 3 levels, Access (connected and users and desktops), Distribution (Connected access

[Contact Us](#)

Device Issues



The Switch Details page will display PoE alerts and the status of the port that is connected to the AP. To solve these physical issues of a device, you must issue a direct Return Merchandise Authorization

[Contact Us](#)



Ping Issues on Client and Access Switch

We're having a strange issue in one of our offices where we're unable to ping between a machine on one subnet and a server on another local subnet. The symptoms are: Pinging from a

[Contact Us](#)



Fix Network Switch Failure: Step-by-Step Guide

Whether using a managed or unmanaged switch, diagnosing and fixing switch failures requires a structured approach. This guide will help you troubleshoot and

[Contact Us](#)



Troubleshooting War Stories: Part 2

Each of those access switches has two fiber uplinks - one going to CORE-SW-1, and the other to CORE-SW-2 in the data center. This redundant

[Contact Us](#)





Solved: ACX 5740 Communication Failure

ACX 5740 Communication Failure Hello, I am an end user/owner of a Schneider Electric access control system. We have recently (within the last month) had three ACX5740 door controllers

[Contact Us](#)



Troubleshooting Switch Connectivity Issues

Troubleshoot the connectivity issues of a switch by diagnosing the wired network. Check latency with ping test or track packets with traceroute test.

[Contact Us](#)

How to Troubleshoot Network Switch Issues: 4 Common

Learn how to fix the 4 most common network switch failures port issues, power faults, VLAN errors & compatibility problems. Step-by-step

[Contact Us](#)



How To Troubleshoot ISE Failed Authentications

Because the switch does not have an exact match for the VLAN name EMPLOYEE, it sends an EAP-Failure message to the endpoint. To remedy this

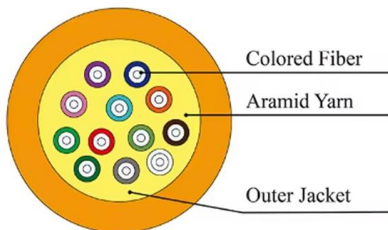
[Contact Us](#)



Network Communication Failure and Troubleshooting Guide

Discover solutions for network communication failure, switch troubleshooting, resource sharing errors, and IP address conflicts in networks. Resolve connectivity and performance problems

[Contact Us](#)



Top 9 Reasons for Network Switches Failure

The switch will inevitably encounter failures during normal use. Network switch failures can cause network downtime, affecting our business,

[Contact Us](#)

5 Most Common Failures Of Switches And Their Solutions

Knowledge 5 Most Common Failures Of Switches And Their Solutions The problem of switch failure generally includes physical layer failure,

[Contact Us](#)



I totally fucked up our network core switch and everything is

We have a pair of Dell N3224P-ON switches and today's morning my colleague gave me a task and instructions to remove some unused VLANs. I'm sure I removed the correct VLANs. When I saved

[Contact Us](#)



Internet not reaching Core/Access Switch

Router has internet but Core Switch not picking, what i'm i missing? Router and Switch can ping each other Router Configs Router#sh run Building configuration Current configuration :

[Contact Us](#)



Contact Us

For datasheets, pricing, or custom fiber access solutions, please visit:
<https://www.frindel.es>