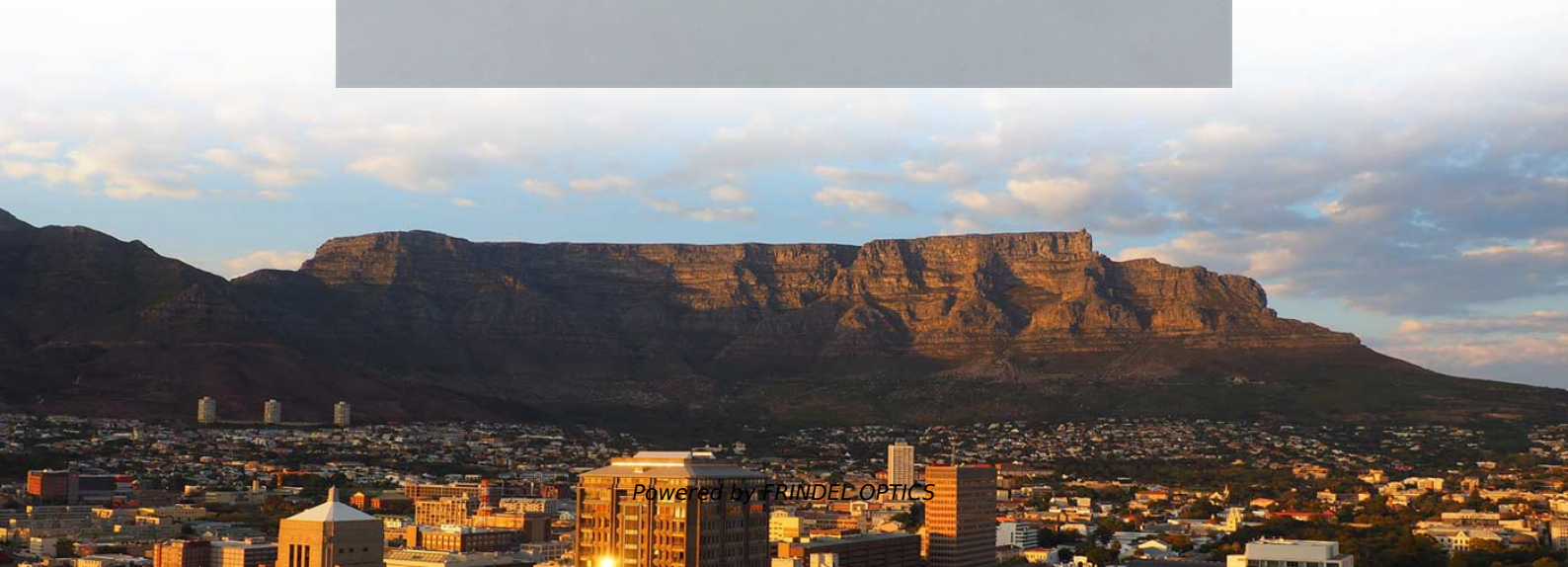


Can fiber optic cables be replaced while the circuit is powered on





Can fiber optic cables be replaced while the circuit is powered on



Fiber Optic Cable Lifecycle Guide

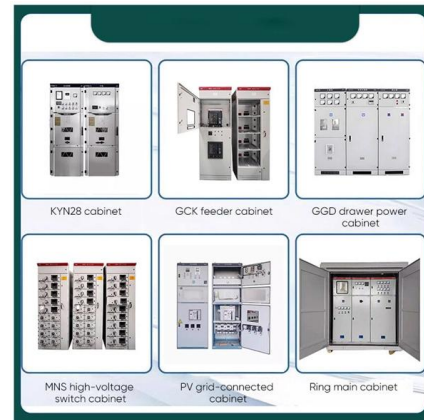
Once fiber optic cables are deployed, they enter a phase of long-term operation. While they don't require frequent servicing, improper daily

[Contact Us](#)

The frequency of replacing fiber optic cables depends on

By considering these factors and maintaining a proactive approach to testing and monitoring, you can determine the optimal time for replacing fiber

[Contact Us](#)



Can I run fiber in the same conduit as electrical?

General Consideration: It is generally not recommended to run fiber optic cables in the same conduit as electrical power cables. This is due to several potential risks

[Contact Us](#)



Safety of running fiber alongside electrical in

If you want to run the fiber through the same conduit as the electrical cable, and the fiber is "ADSS" or has absolutely no metal in it, then you are totally safe.



101 Guidelines for Fiber Optic Cable Installation

A fiber optic cable should be tested three separate times during an installation: on the reel, the splicing test, and the final acceptance test. Extreme caution should

[Contact Us](#)

How Often Do Fiber Optical Cables Need to Be Replaced?

For example, a company may replace fiber cables as part of a scheduled maintenance cycle, every 20 to 30 years, even if the cables are still

[Contact Us](#)



How to Repair Cut Fiber Optic Cables

Repair cut fiber cables with this step-by-step guide. Learn proper tools, techniques, and tips for effective fixes.

[Contact Us](#)

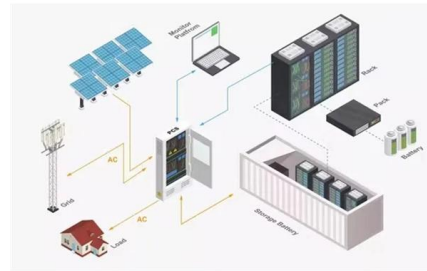




Fiber Optic Issues: Troubleshooting & Prevention Tips

Fiber optic networks are the backbone of modern connectivity, but their performance depends on proactive maintenance and quick troubleshooting. By understanding

[Contact Us](#)



Fiber Optic Cable Lifecycle Guide

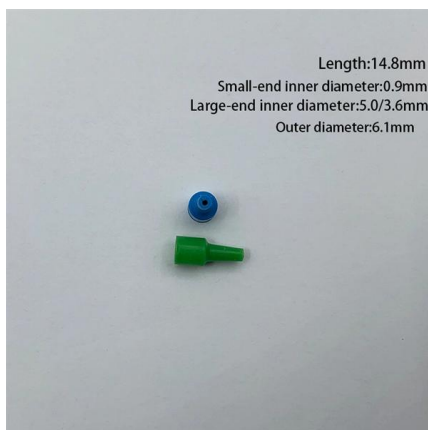
This article will explore the three core stages: fiber optic cable selection and installation, usage and maintenance, and aging assessment and

[Contact Us](#)

The frequency of replacing fiber optic cables depends on

Standard Fiber Optic Cables: Typically, these can last 25-40 years under optimal conditions. Harsh Environment Installations: Cables in challenging

[Contact Us](#)



Fiber and Power in the Same conduit?

Conductive optical fiber cables shall not be permitted to occupy the same cable tray or raceway with conductors for electric light, power, Class 1, non-power-limited fire alarm, Type ITC, or

[Contact Us](#)



The Complete Lifecycle Guide to Fiber Optic Cables: From Planning to

Discover the full lifecycle of fiber optic cabling -- from infrastructure planning and high-performance selection to long-term maintenance strategies. Achieve maximum ROI and network

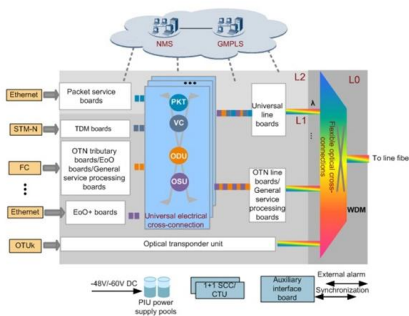
[Contact Us](#)



Fiber Optic Cable Lifecycle Guide

Once fiber optic cables are deployed, they enter a phase of long-term operation. While they don't require frequent servicing, improper daily management can significantly accelerate the

[Contact Us](#)



Optical fiber connector

Optical fiber connectors are used to join optical fibers where a connect/disconnect capability is required. Due to the polishing and tuning procedures that may be

[Contact Us](#)



NEC 2026 Edition Changes Overview

NEC 2026 Edition Changes Overview The 2026 edition of NEC was issued by the NFPA Standards Council on September 9th. It is currently available

[Contact Us](#)





Top 10 Fiber Optic Mistakes to Avoid , trueCABLE

Avoid costly fiber optic installation errors. Learn the top 10 things NOT to do with fiber optic cables and how to handle them safely.

[Contact Us](#)



Wiley Online Library , Scientific research articles, journals, books

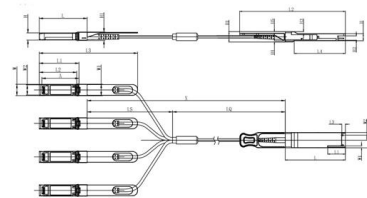
Hier sollte eine Beschreibung angezeigt werden, diese Seite lässt dies jedoch nicht zu.

[Contact Us](#)

Fiber to the x

Fiber to the x (FTTX; also spelled "fibre") or fiber in the loop is a generic term for any broadband network architecture using optical fiber to provide all or part of the

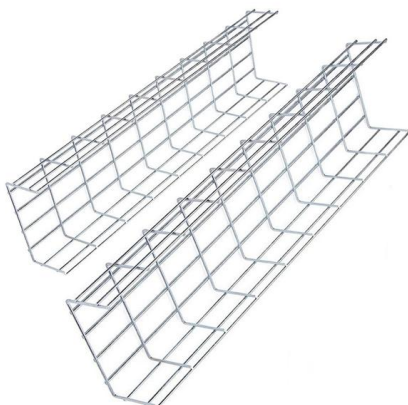
[Contact Us](#)



Unit mm

OSFP28	L	L1	L2	L3	L4	W	W1	W2	H	H1	H2	H3	H4	H5	H6
Max	72.2	-	328	4.35	61.4	18.45	-	6.2	8.6	12.4	5.35	2.5	1.6	2.0	-
Type	72.0	-	4.20	61.2	18.35	-	8.5	12.2	5.2	2.3	1.5	1.8	6.55	-	-
Min	68.8	16.5	324	4.05	61.0	18.25	2.2	5.8	8.4	12.0	5.05	2.1	1.3	1.6	-

SFP28	L	L1	L2	L3	W	W1	W2	H	H1	A
Max	57.6	47.7	44.55	119.9	13.8	14.0	12.3	8.7	10.3	45.25
Type	57.4	47.5	44.35	117.9	13.55	13.8	12.1	8.5	10.1	45
Min	57.2	47.3	44.15	115.9	13.3	13.6	11.9	8.4	9.9	44.65



Lifecycle Management Recommendations for Fiber

To accommodate future technological advancements, fiber optic products should be designed with modularity and adaptability in mind. For instance, connectors with

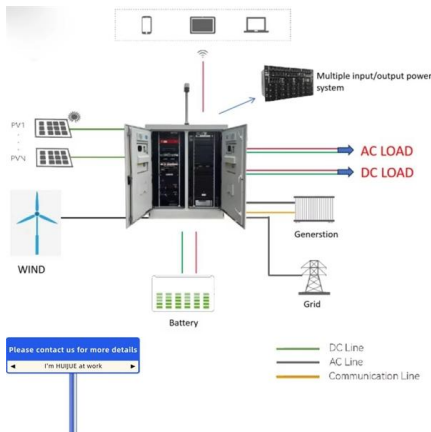
[Contact Us](#)



How Often Do Fiber Optical Cables Need to Be Replaced?

In general, fiber optic cables have a lifespan of 25 to 30 years or more under normal conditions. However, the actual replacement frequency depends on

[Contact Us](#)



How Often Do Fiber Optical Cables Need to Be

Learn how often fiber optic cables need replacement, what affects their lifespan, and how to extend service life. Includes FTTH, ADSS, OPGW,

[Contact Us](#)

Frequently Asked Questions

We contacted several technical people in fiber companies and found that this can happen if there was a crack in the fiber in the cable near the connector or lots of

[Contact Us](#)



The Ultimate Fiber Troubleshooting Bible for Beginners

Fiber troubleshooting starts with a strong foundation in inspection and identification. You can resolve most fiber internet problems by following a

[Contact Us](#)



Frequently Asked Questions

But most electronics require digital signal processing in the transceivers which takes time, switches to the trading computers takes time and while you can minimize it

[Contact Us](#)



What are the different types of network cables?

Compare the different types of network cabling: coaxial, fiber optic, shielded twisted pair and unshielded twisted pair.

[Contact Us](#)

Fiber Optic Troubleshooting: Expert Guide for Common

Fiber optic troubleshooting is an essential skill for network administrators, technicians, and engineers responsible for maintaining and

[Contact Us](#)



Benefits Of Fiber Optic For Businesses , Verizon Business

Unlock the benefits of fiber optic for businesses, including superior speed, security and performance. Elevate your business with fiber. Learn how it can help you!

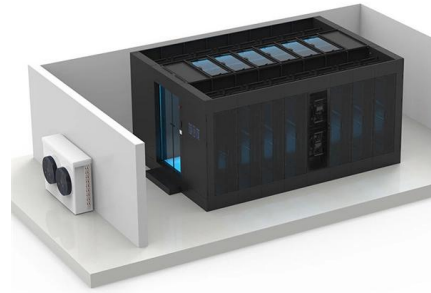
[Contact Us](#)



How does fiber optics work?

An easy-to-understand introduction to fiber optics (fibre optics), the different kinds of fiber optic cables, and how light travels down them.

[Contact Us](#)



Top Content on LinkedIn

Explore top LinkedIn content from members on a range of professional topics.

[Contact Us](#)

Contact Us

For datasheets, pricing, or custom fiber access solutions, please visit:
<https://www.frindel.es>