

Cable trays for exposed ceiling lighting





Cable trays for exposed ceiling lighting



Cable trays Cable trays

Benefits of Professional Cable Tray Systems
Modern cable trays deliver high load-bearing capacity, excellent corrosion resistance, and fast installation. They

[Contact Us](#)

Cable tray

ABB designs and manufactures cable tray systems, including perforated tray, cable ladder, channel tray and strut (metal framing).

[Contact Us](#)



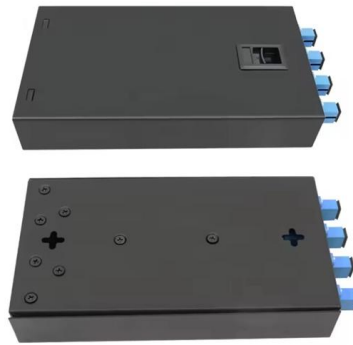
Conceal wiring for safety in open-ceiling environments

Many large retail stores and manufacturing plants require the distribution of communications and power wiring in open-ceiling environments. Because these

[Contact Us](#)

Guide to cable support systems

Four different mesh cable tray types are available, depending on the requirements, area of application and cable quantity. The innovative Magic connection system of the GRM and G-GRM mesh cable



Open Ceiling Lighting , Round & Square Pendant

Exposed Ceiling Lighting Solutions Explore USAI's wide selection of lighting solutions designed specifically for integration into the exposed and unfinished

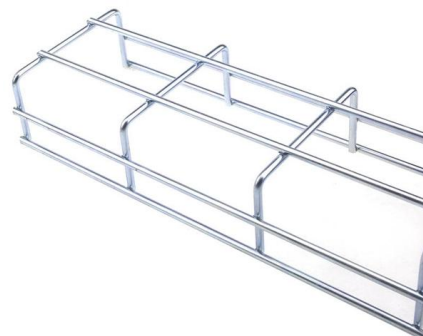
[Contact Us](#)



Ceiling Cable Tray, Cable Tray Electrical Manufacturer

Ensure scalability and flexibility in your ceiling cable management with Ceiling Cable Trays that are designed for ease of access and expansion. It allows to add or

[Contact Us](#)



Workplace Design Elevated with our Cable Trays

Learn how to upgrade workplace design using Snake Tray cable trays, merging aesthetics & functionality in open ceiling spaces.

[Contact Us](#)





Steel Cable Tray , Strong And Reliable Cable

Available in various sizes and finishes, steel cable trays are designed to withstand heavy loads and harsh environments. Explore the range of steel cable trays for

[Contact Us](#)



Best Practice Guide to Cable Ladder and Cable Tray Systems

This guide covers cable ladder systems, cable tray systems, channel support systems and associated supports intended for the support and accommodation of cables and possibly other electrical

[Contact Us](#)

Cable Tray Capabilities

Cable tray is also popular as an option for forward project planning: It is much easier to lay new cables onto a tray system as the needs of a project changes over time,

[Contact Us](#)



Industrial Cable Tray Manufacturer & Supplier in India

High-load galvanized perforated & ladder cable trays. Leading industrial cable tray manufacturer & supplier in India. Custom sizes, full accessories, quick installation.

[Contact Us](#)



Cable tray manual

Nearly every aspect of cable tray design and installation has been explored for the use of the reader. If a topic has not been covered sufficiently to answer a specific question or if additional information is

[Contact Us](#)



GUIDE CABLE TRAYS TECHNICAL

NEMA VE 1-2017 Specifies requirements for metal cable trays and associated fittings designed for use in accordance with the rules of Canadian Electrical Code, Part I and the National Electrical Code®

[Contact Us](#)

Stylish and flexible cable installation with Wibe Design

Features and benefits Wibe's Design Trays collection consists of perforated lighting trunking, unperforated cable trays, as well as suspension systems and

[Contact Us](#)



Robust and aesthetically smooth cable trays for the routing and

The lighting cable trays are available with a smart perforation pattern for easy fitting of luminaries under the trays. There is also a complete range of supports for wall mounting, ceiling-suspended solutions

[Contact Us](#)



13 Cable Trays ideas , cable trays, cable tray, exposed ceilings

Discover recipes, home ideas, style inspiration and other ideas to try.

[Contact Us](#)



High-Quality Cable Tray Systems , Light, Medium

Explore our premium cable tray systems at Direct Channel. Available in light, medium, and heavy-duty options, with pre-galvanized & hot-dipped finishes.

[Contact Us](#)

Cables Installed in Suspended Ceilings: Technical

Suspended ceilings are often provided in commercial and similar premises. They generally consist of a grid of light metal bars, usually having an



[Contact Us](#)



Cable Tray Technical Guide A practical guide to product selection and

Cable Tray Technical Guide A practical guide to product selection and installation This guide for engineers and installers has been developed by ABB as a practical reference regarding cable tray

[Contact Us](#)



Aesthetically elegant cable tray hides cables within open

cable trays are commonly installed for commercial use. Our elegant cable tray hides cables within open ceilings. Hutaib electricals, a leading cable

[Contact Us](#)



Cable Tray SHIB NAL

Cable trays are not raceways, but they are treated as a structural component of a facility's electrical system. Cable trays are a part of a planned cable management system to support, route, protect and

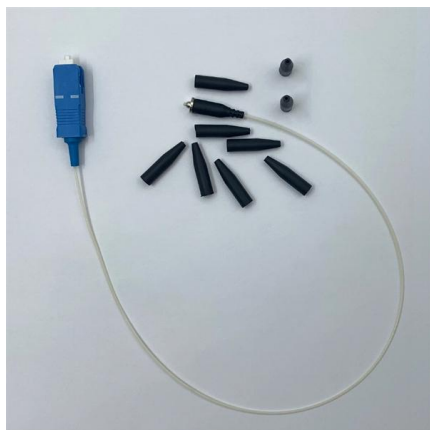
[Contact Us](#)



Structured Cabling for Exposed Ceilings , Industrial Guide Towner

J-hooks (48-60? spacing) Cable trays (rigid, structural pathways) Conduits (used where plenum space is inaccessible post-construction) In closed-ceiling environments however, these choices don't impact

[Contact Us](#)



How to Hide Wires in Exposed Ceiling (6 Expert

Having exposed electrical wires on a ceiling can be distracting and unsafe. Here are some tips on how to hide wires in an exposed ceiling.

[Contact Us](#)



Contact Us

For datasheets, pricing, or custom fiber access solutions, please visit:
<https://www.frindel.es>