

Cable Tray Production and Customization Flowchart





Cable Tray Production and Customization Flowchart

Tutorial: Building a Custom Cable Tray



Unlock the secrets to building a custom cable tray that enhances organization and style--discover essential tips and creative ideas to elevate your

[Contact Us](#)

Report on Cable Tray Supplier Selection Strategies

Comprehensive guide to cable tray supplier selection strategies. Learn how to define project needs, evaluate suppliers, ensure quality, and negotiate

[Contact Us](#)



Designing production planning and control systems in cable rack

Abstract. Planning, production control, and inventory control in the company are carried out by the Production Planning and Inventory Control section or commonly abbreviated as PPIC.

[Contact Us](#)



Cable Tray Production SOP Guide

SOP Cable Tray Production - Free download as Word Doc (.doc / .docx), PDF File (.pdf), Text File (.txt) or read online for free.

[Contact Us](#)



Cable Tray Manufacturing: A Simple Guide to the Process

Explore the cable tray manufacturing process, types of cable trays, and important factors. Learn how it all works in an easy-to-understand guide.

[Contact Us](#)



Cable Tray Making Machine

Cable tray making machines are used to manufacture cable trays - an important component in electrical installations and industrial buildings for routing cables and wires safely. This

[Contact Us](#)



Flowchart for designing a cable-pulley-based solution in

Download scientific diagram , Flowchart for designing a cable-pulley-based solution in Fig. 4 for artificial ankle joints from publication: Design and simulation of a

[Contact Us](#)





From Coil to Finished Product: See How a Cable Tray is Made , Fully

You'll witness how a coil of metal strip is transformed into standardized, ready-to-install cable trays through a series of precision processes.

[Contact Us](#)



PDMS-cable Tray Design PDF

You can extract this data both graphically, in the form of drawings, or in text form, by producing reports. This session describes the principles and practice of producing

[Contact Us](#)

Designing Cable Tray Layouts for Industrial Facilities

Designing cable tray layouts for industrial facilities is both an art and a science. For the Electrical Draftsman, it entails translating complex power transmission

[Contact Us](#)



Complete cable tray manual for electrical engineers and

Complete cable tray manual for electrical engineers and designers (on photo: power cable management ladder tray systems assembled aluminum cable tray ladder

[Contact Us](#)

Cable tray design , GrabCAD Tutorials



A cable tray system is ideal for protecting and organizing electrical connections in commercial and industrial environments. This article offers a

[Contact Us](#)



South Korea Cable Tray Market Overview, 2031

The South Korea Cable Tray market is forecast to grow above 9.8% CAGR from 2026 to 2031, driven by commercial construction and industrial wiring demand.

[Contact Us](#)



Custom Cable Tray Manufacturing Hutaib Electricals

Custom cable tray manufacturing offers a tailored approach to cable management, addressing the unique needs of various projects and environments. By investing

[Contact Us](#)



Custom Cable Trays: A Journey from Concept to

The culmination of our efforts was the successful delivery and installation of the bespoke cable trays. The trays, with their custom width, design,

[Contact Us](#)





Latest Technologies in Cable Tray Manufacturing

The selection of materials in cable tray manufacturing is pivotal to the durability and functionality of the installations, aligning with the latest trends and

[Contact Us](#)



Cable Tray Manufacturing Process and Equipment Overview

A modern cable tray production line typically consists of several key components that work in unison to ensure efficiency and quality. The primary stages of the production process include raw material

[Contact Us](#)

Metal Cable Tray Manufacturing Plant Cost, DPR 2026

Detailed Process Flow: The manufacturing process is a multi-step operation that involves several unit operations, material handling, and quality checks. Below are the main stages involved in the metal

[Contact Us](#)



Cable Tray Roll Forming Machine: The Ultimate 2025 Guide

But how do manufacturers produce cable trays at scale, ensuring precision, uniformity, and efficiency? Enter the Cable Tray Roll Forming Machine--a reliable, high-tech solution that

[Contact Us](#)

Cable Manufacturing Process Flow Chart



The document outlines the process flows for producing four types of cable support systems: cable tray, cable ladder, cable trunking, and support systems.

[Contact Us](#)



Inside the World of Cable Tray Manufacturing

These technological advances enable higher production volumes with improved consistency and reduced manufacturing costs. Digital manufacturing systems also facilitate mass customization

[Contact Us](#)

Wired for Success: Navigating the Cable Tray Production Line in

Customization Capabilities: Tailoring Cable Trays to Project Specifications Highlight the customization capabilities of cable tray production lines. Discuss how these machines allow



[Contact Us](#)



Client Spotlight: How a Cable Tray Manufacturer

Discover how an innovative cable tray manufacturer achieved efficient production with roll forming, reducing lead times, costs, and enhancing product

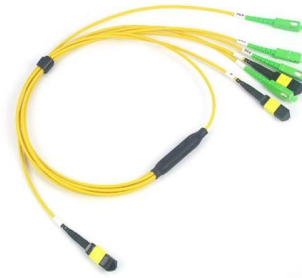
[Contact Us](#)



Cable Tray Production Line: Enhancing Efficiency in Electrical

A Cable Tray Production Line is a fully automated roll-forming line specifically designed to manufacture cable trays used in electrical infrastructure. Cable trays provide a secure pathway for

[Contact Us](#)



How to Produce Cable Trays: A Comprehensive Guide

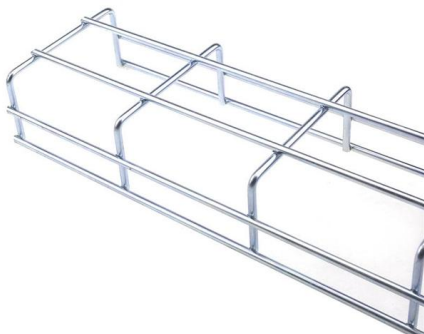
Discover the detailed process on how to produce cable trays, covering everything from material selection to assembly and surface treatment.

[Contact Us](#)

Detailed Project Report on cable tray manufacturing

Detailed project report on cable tray manufacturing - Get comprehensive project reports, formulations, startup guides, and expert consultancy for business success - Business ideas in bangalore, Best

[Contact Us](#)



Buy Vietnam Factory Cable Tray , Durable Cable Management

Searched for "vietnam factory cable tray", users are likely sourcing durable, cost-effective cable management solutions manufactured in Vietnam or by Vietnamese factories with international export

[Contact Us](#)



Cable Tray Roll Forming Machine: The Ultimate 2025 Guide

Overview of Cable Tray Roll Forming Machines A Cable Tray Roll Forming Machine is a specialized piece of industrial equipment designed to manufacture cable trays from metal coils. The

[Contact Us](#)



Contact Us

For datasheets, pricing, or custom fiber access solutions, please visit:
<https://www.frindel.es>