

# **CIF Price of Upgraded Power Supply System for Senegalese Export Telecommunications Sites**





## Overview

---

Diversifying the country's energy sources and modernizing the energy sector is a top priority for the Government of Senegal, as outlined in Senegal's ambitious Emerging Senegal Plan.



## CIF Price of Upgraded Power Supply System for Senegalese Export

---



### Study of the costs of compliance with export standards in the

The objectives of the study are to: i) assess the Senegalese industrial fisheries sector's compliance with standards; ii) determine the impact of such compliance within .

[Contact Us](#)

### Sector Brief Senegal Information and Communications Technologies

To support the development of the digital sector, Senegal has introduced incentive-based policies in the fields of legislation, technical infrastructure and training. These have been formalised in a strategic

[Contact Us](#)



### Search Exim Data for Products and Hs Code with importers Exporters

Subscribers can find out export and import data of 23 countries by HS code or product's name. This demo is helpful for market analysis.

[Contact Us](#)



### How to Calculate Export Price: The Pricing Strategy

This comprehensive guide will help you understand how to calculate your export price, the impact of freight and Incoterms, and how to develop an



### Senegal Trade Statistics , WITS

Senegal Trade Statistics including exports and imports by partner and products, tariffs and relevant development indicators.

[Contact Us](#)



### What Is CIF Incoterm: A Complete Guide to Cost,

What Does CIF Mean? CIF (Cost, Insurance, and Freight) is an Incoterm where the seller is responsible for delivering goods to the destination

[Contact Us](#)



### CIF Incoterms 2020 , Cost, Insurance, and Freight

CIF is intended only for transporting goods by sea or inland waterway. Supplier pays export duty, packaging the goods and transportation of the cargo to the port,

[Contact Us](#)





## CIF (Cost, Insurance and Freight) , Supply Chain Glossary

CIF, or Cost, Insurance, and Freight, is an international shipping agreement used in the transportation of goods. In freight shipping, CIF means that the seller takes responsibility for the cost of transporting

[Contact Us](#)



### Tips on How to Calculate CIF Value

Tips on How to calculate CIF Value for Export  
When you're in the business of buying or selling goods, having a handle on the Cost, Insurance, and

[Contact Us](#)

### Senegal , Africa Energy Portal

Senegal has what it takes to achieve universal access to energy by 2030. Electricity production increased by 38.1%, from 1,419.0 MW in 2019 to 1,960.1 MW in 2023, consisting of 70% thermal and

[Contact Us](#)



### CIF full form in Export: Role, Process, Benefits, and

Complete guide on CIF in Export. Understand its full form, meaning, benefits, and how to use it in international shipping contracts.

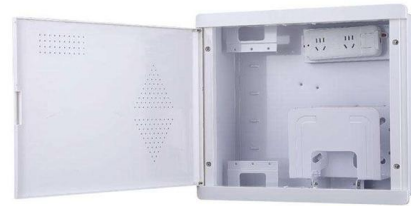
[Contact Us](#)



### Senegalese export trends

Senegal, a country in West Africa, has a diverse range of exports that contribute significantly to its economy. Despite facing a trade deficit, recent

[Contact Us](#)



### senegal import Data & Market Trends , Data Vault Insights LLP

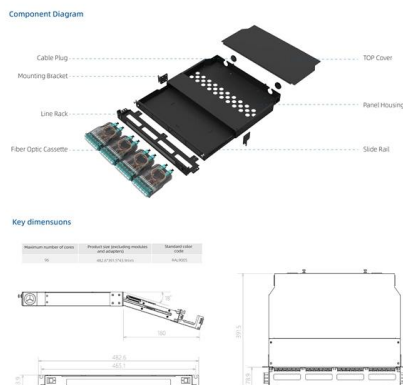
Exporters & Suppliers targeting Senegalese companies with high import volumes. Importers & Buyers benchmarking CIF pricing and analyzing sourcing strategies from global suppliers.

[Contact Us](#)

### What is CIF in Export? Guide to 2026

Learn about what is CIF in Export. Know what it means, its definition and importance in export, shipping and freight.

[Contact Us](#)



### Senegal Energy Storage Power Supply Price Table 2024: Costs,

Wondering how energy storage systems can power Senegal's future? This comprehensive guide breaks down current pricing, market trends, and practical solutions for businesses and households seeking

[Contact Us](#)

### CIF Endorses \$70 Million to Accelerate



## Energy System

Washington, DC - The governing board of the Climate Investment Funds (CIF) has signed off on a catalytic investment plan, expected to mobilize almost \$1 billion overall to support

[Contact Us](#)



## Calculate CIF Price

Calculate CIF Price CIF (Cost, Insurance and Freight) means that the seller has the same obligations as under CFR but with the addition that he has to procure marine insurance against the buyer's risk of

[Contact Us](#)

## Senegal Trade , WITS , Text

Senegal exports to Mali worth US\$ 1,219 million, with a partner share of 22.92 percent. Senegal exports to Switzerland worth US\$ 646 million, with a partner share of 12.15 percent. Senegal exports to India

[Contact Us](#)



## Senegal (SEN) Exports, Imports, and Trade Partners

This visualization shows the participation rate of a country in the global export market for each product it exports. It highlights the extent to which the country is involved

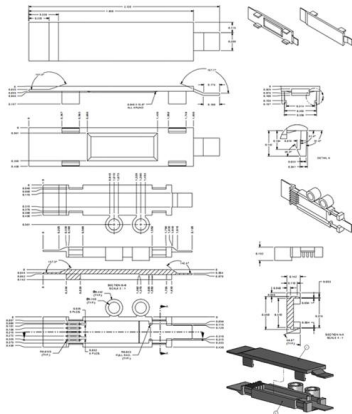
[Contact Us](#)



## What is CIF? CIF Meaning in Shipping | Full Form , Characteristics

Conclusion In the world of international trade, CIF plays a vital role in simplifying shipping arrangements. As a client-focused logistics provider, Freight Systems simplifies the complexities of international

[Contact Us](#)



## Senegal

Testing, Inspection, and Certification Senegal has implemented a national system of certification since 1992. ASN has created 555 Senegalese norms and standards. The NS (Norme

[Contact Us](#)

## Guide to CIF Incoterm

Guide to CIF Incoterm In the world of international trade, choosing the right Incoterm is crucial for smooth and cost-effective logistics. One of the most

[Contact Us](#)



## Executive summary - Senegal 2023 - Analysis

The funds will enable Senegal to leverage hydrocarbon revenues to finance sustainable economic growth, mitigate the impact of international price volatility

[Contact Us](#)



## Senegal Trade , WITS

Data includes annual and monthly exports and imports, tariffs, foreign direct investment (FDI), global value chain (GVC) participation, and the Services Policy Restrictiveness Database.

[Contact Us](#)



## Determine Total Export Price

To optimize your export pricing strategy, understand the total or "landed" cost of your export shipment to a foreign buyer. Buyers often ask for this information when

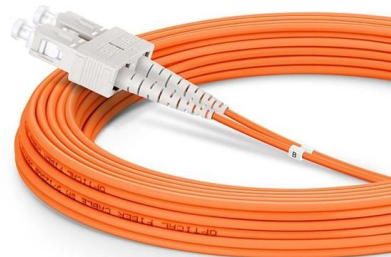
[Contact Us](#)



## Utility-scale solar PV and wind in Senegal: Overcoming regional

Senegal's power system still relies heavily on fossil fuels, and fuel oil in particular, but the country has also shown impressive growth in renewable power capacity and generation over the years, with

[Contact Us](#)



## What is CIF and How to Calculate CIF Cost: A Complete

For beginners, one of the most important terms to grasp is CIF--Cost, Insurance, and Freight. This term not only determines the total cost of goods but also

[Contact Us](#)





## Working Paper 191

Correct citation: Fatou, C. and Choi, J.E.; (2013),  
Do firms learn by exporting or learn to export:  
evidence from Senegalese manufacturers'  
plants, Working Paper Series N° 191 African  
Development Bank,

[Contact Us](#)



## Contact Us

---

For datasheets, pricing, or custom fiber access solutions, please visit:  
<https://www.frindel.es>