

Burundi Flame-Retardant Cable Trays





Burundi Flame-Retardant Cable Trays



Cable Tray Manufacturers in Burundi, Hose Clamps, Crimping Tools

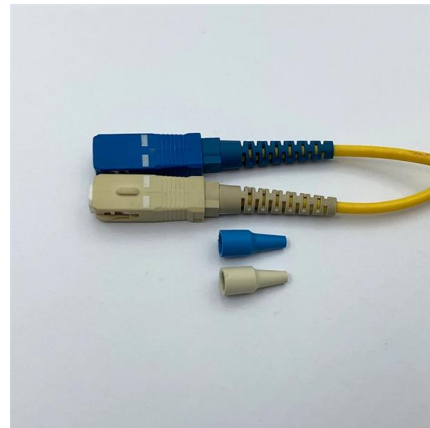
Our clients from any nook and corner of the world can contact us to buy Crimping Tools, Cable Glands & Cable Ties in Burundi, as we have our presence in different places to meet that.

[Contact Us](#)

Cable Trays In Burundi

Our durable, high-quality trays come in various sizes and styles to fit any project, big or small. Our robust trays safeguard your cables from physical damage, dust, and environmental hazards,

[Contact Us](#)



Advanced Fire Resistant Cable Tray , Maximum Heat

Top-quality fire resistant cable tray with N1 fire rating, 5-12 mm fireproof core, superior heat insulation, flame protection, and 60-min fire resistance.

[Contact Us](#)



Fire resistant cable tray , Hermi-solutions

Cable trays are intended for the construction of fire-resistant cable paths. Do you need help with your purchase? The HERMI team will be happy to advise you and

[Contact Us](#)



Cable Trays In Burundi

Top Cable Trays Manufacturers in Burundi Tired of messy wires causing headaches? Brilltech Engineers Pvt. Ltd. brings the Cable Trays in Burundi just for you! We, one of the well-known Cable

[Contact Us](#)



Fire Rated Cable Tray, Heavy-Duty Cable Tray Manufacturer

Fire Rated Cable Trays that are crafted from premium materials like stainless steel, galvanized steel, tempered glass, and fire-resistant polyester fiberglass. Each tray is coated with a specialized fire

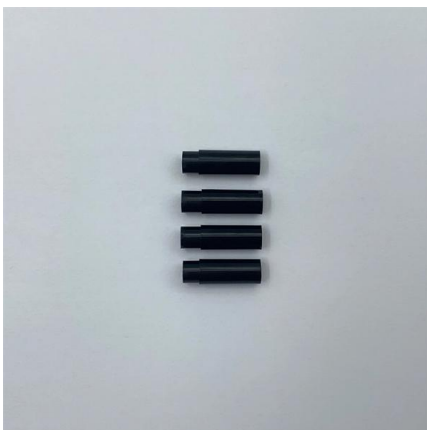
[Contact Us](#)



Flame-retardant cable tray

Discover high-quality flame-retardant cable tray designed for efficient cable management, offering durability and easy installation. Ideal for enhancing organizational systems in commercial settings.

[Contact Us](#)





Trunking & Cable Trays

A removable glass cloth coated pillow filled with fireproof sponge and intumescent material which expands to 3 times its original size in a fire, stopping gaps in or

[Contact Us](#)



Fire-Retardant Cable Systems , IEEE Journals & Magazine

The increasing use of nonmetallic cables in cable trays for industrial plant applications as recognized in the 1975 National Electrical Code, Article 340, mandates that these cables be suitable

[Contact Us](#)

Cable Tray Manufacturers

3. In addition to the above conditions, tray type, trough type, step type, glass anticorrosive and flame retardant cable tray or steel ordinary type cable tray can be selected according to the on-site

[Contact Us](#)



Cable Tray Manufacturers In Burundi, Electrical Cable Tray Suppliers

Keep your cables safe and organized with our high-quality cable trays. Cable Trays are important for ensuring the protection of the wiring system and supporting insulated electric cables used for

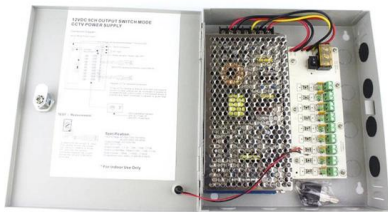
[Contact Us](#)



Fire protection for cables & cable trays , Flamro

Fire protection for cables and cable trays:
effective solutions to prevent cable fires
Cable systems are found in all buildings nowadays:
from industrial plants via

[Contact Us](#)



Technical Guidelines for Cable Tray Installation and

Cable tray installation must comply with specific
technical standards to ensure electrical safety,
system reliability, and long-term maintainability.
This document

[Contact Us](#)

Mild Steel Cable Tray In Burundi

Mild Steel Cable Tray in Burundi for Streamlined
Management Engineered with precision and
crafted with meticulous attention to detail, our
cable trays adhere to industry standards, offering
reliable

[Contact Us](#)



Fire Resistance Testing of Cable Trays: Key Standards

Fire Resistance Testing of Cable Trays ensures
they don't fuel fires or emit toxic smoke. Learn
key standards, testing methods, and safety tips.

[Contact Us](#)



Research Information Letter 0046, "Effectiveness of Cable Tray

Fire retardant coatings and barriers can be utilized to prevent tray-to-tray fire propagation with cable capable of passing the IEEE-383 flame test standard with cable tray configurations and fires similar

[Contact Us](#)



CABLE TRAYS

Our cable trays are manufactured as per NEMA standards and Fire Retardant Grade confirms to IS 6746 for surface burning test and ASTM-D-635 for precast flammability test. We offer a very

[Contact Us](#)

Cable Tray Covering & Fire Protection

Build fire-rated enclosures around tray runs, transitions, and penetrations to block flame and smoke movement. Integrate coverings with existing fireproofing and firestopping systems for full compliance

[Contact Us](#)



Cable Tray In Burundi, Cable Tray Manufacturers Suppliers Burundi

Widely used in electric, automobiles and construction industries; our Hot Dip Galvanized Cable Trays are sure appreciated by customers for its robust construction and capacity to withstand adverse

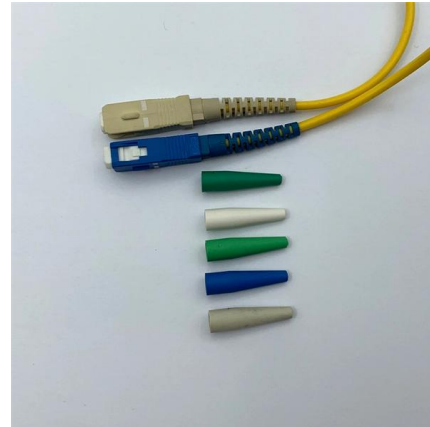
[Contact Us](#)



Technical Guidelines for Cable Tray Installation and

Fire-resistant trays must be made from non-combustible or flame-retardant materials such as: Galvanized steel, Stainless steel, Fire-resistant coated trays, Flame

[Contact Us](#)



What are the fireproof characteristics of cable trays?

Only the fire-proof and flame-retardant principle of cables and fire-resistant coatings are on fire. At present, fire-resistant cable racks are mainly

[Contact Us](#)



Fire Safety and FRP Cable Trays: Meeting Regulatory Standards

FRP cable trays offer numerous benefits, but ensuring they meet fire safety standards is essential for any application where fire safety is a concern. By choosing fire-resistant FRP cable trays,

[Contact Us](#)



Fire protection for cables & cable trays , Flamro

Our fire protection solutions for cables are suitable for both indoor and outdoor use. They are used in (nuclear) power plants, substations, production facilities,

[Contact Us](#)

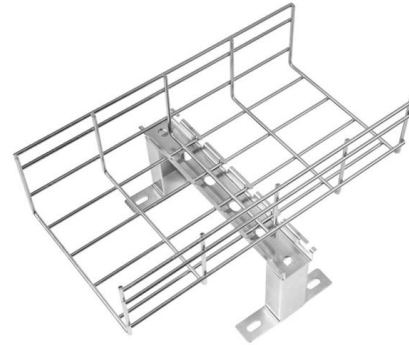




Ladder Cable Tray In Burundi

Our trays keep cables organized and separated, preventing tangles and facilitating easy identification during maintenance or troubleshooting. We, the reliable PVC Cable Tray Manufacturer and Supplier

[Contact Us](#)



Basor Electric

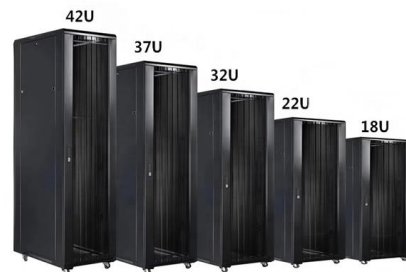
Basor Electric, sensitive to the need to minimize the consequences of a fire, has subjected its cable trays to rigorous fire resistance tests to ensure the behavior of

[Contact Us](#)

Electrical Cable Tray Fire Protection

Maintenance Electrical Cable Tray Fire Protection
One of the most significant fire protection requirements for processing facilities and offshore

[Contact Us](#)



Contact Us

For datasheets, pricing, or custom fiber access solutions, please visit:
<https://www.frindel.es>