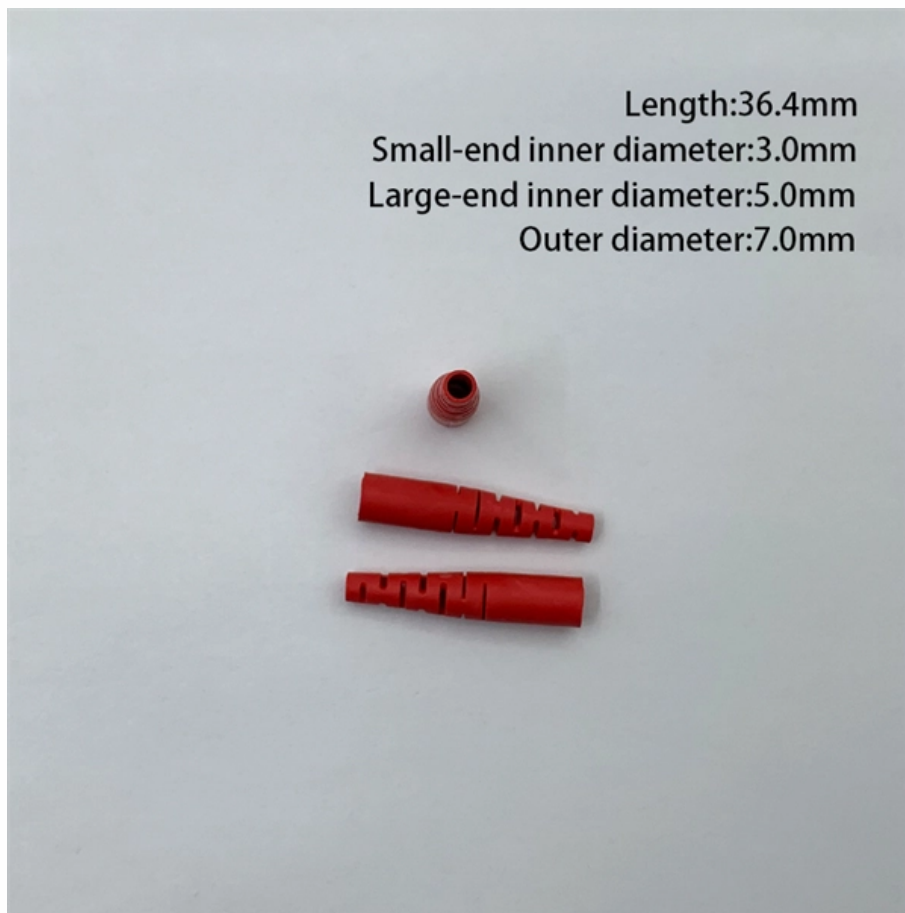


# **Bulk Purchase of Raman Amplifiers QSFP-DD**





## Bulk Purchase of Raman Amplifiers QSFP-DD

---



### Optical Amplifiers Accelink , Lighting Your Dreams

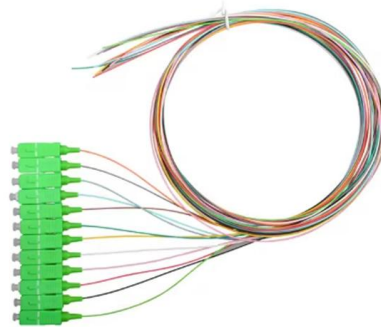
Accelink pluggable amplifiers are a series of EDFAs that support hot plug and are compatible with various pluggable small form factor standards, such as XFP/CFP/CFP2/QSFP28/QSFP-DD/OSFP.

[Contact Us](#)

### QSFP-DD - GIGALIGHT

The optical amplifier module developed by GIGALIGHT is designed for long-distance transmission systems in digital optical fiber communication. It is specifically designed to work in conjunction with

[Contact Us](#)



### Q28qd010c00d000 Datasheet

This QSFP-DD dual pluggable EDFA booster amplifier offers a optical input range and provides a +20dB nominal gain to a C-Band DWDM link. The dual pluggable EDFA connects to a composite DWDM

[Contact Us](#)

### QSFP-DD TRANSCEIVERS for 400G and 800G

QSFP-DD is the most widely adopted form factor for 400G, with great potential for 800G. While QSFP-DD prioritizes backward compatibility, OSFP's larger surface

[Contact Us](#)



### **QSFP-DD Optical Module Wiki**

QSFP-DD (Quad Small Form Factor Pluggable-Double Density) is a new modular connector system that utilizes a dual-density, four-channel, small, hot-swappable optical module

[Contact Us](#)



### **400G OSFP/QSFP112/QSFP-DD , Transceiver Modules**

FS provides an expanding portfolio of 400G OSFP/QSFP112/QSFP-DD solutions featuring high-performance, high-bandwidth, and backward compatibility. The 400G transceiver modules are ideal

[Contact Us](#)



### **ADD-QSFPDD-EDFA-DUAL-20DB , Industry Standard**

Available from the following dealers: This QSFP-DD dual pluggable EDFA booster amplifier offers a optical input range and provides a +20dB nominal gain to a C-Band DWDM link. The dual pluggable

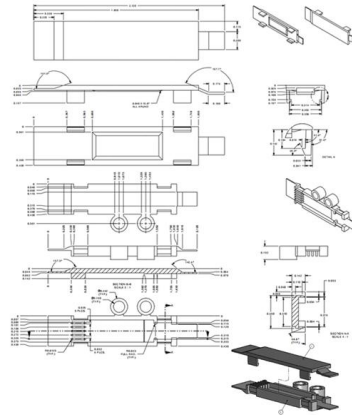
[Contact Us](#)



## Hybrid Raman Amplifier Module\_shenzhen jiafu communication

Name Hybrid Raman Amplifier Module Features Automatic gain and tilt control Variable gain setting Flatten gain shape Laser safety with automatic pump shutdown Applications 40G/100G transmission

[Contact Us](#)



## Raman Amplifiers - Buying Guide & Supplier List , RP Photonics

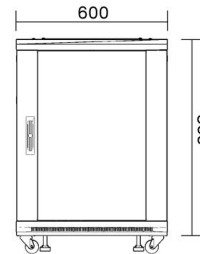
This Raman amplifiers buying guide provides technical background, comparison of major types, selection criteria, and an overview of suppliers.

[Contact Us](#)

## QSFP-DD Dual Pluggable EDFA Booster amplifier for DWDM

Our products are compatible with all major brands. This QSFP-DD dual pluggable EDFA booster amplifier offers a optical input range and provides a +20dB nominal gain to a C-Band DWDM link.

[Contact Us](#)



## Cisco QSFP-DD Pluggable Open Line System (QDD)

Learn more about the Cisco QSFP-DD Open Line System (QDD OLS), a pluggable optical amplifier module that provides a simple yet powerful open line

[Contact Us](#)



## **RAMAN Optical Amplifier In DWDM Network**

As one of the most professional raman optical amplifier in dwdm network manufacturers and suppliers in China, we're featured by customized products for

[Contact Us](#)



## **Cisco QSFP-DD Pluggable Open Line System (QDD)**

Learn more about the Cisco QSFP-DD Open Line System (QDD)

[Contact Us](#)

## **Specification - QSFP-DD**

August 7, 2020 - QSFP-DD Hardware Specification for QSFP DOUBLE DENSITY 8X PLUGGABLE TRANSCEIVER - Rev 5.1 July 11, 2019 - QSFP-DD Hardware Specification for QSFP

[Contact Us](#)



## **400GBASE-LR4 QSFP-DD 8 x 50G PAM4 1310nm**

400G-LR4 QSFP-DD PAM4 Optical Transceiver Module (SMF, 1310nm, 10km, LC, DOM) The 400GBASE-LR4 module, Duplex LC connector, up to 10km over

[Contact Us](#)



### **PRO-QSFPDD-EDFA-DUAL-20DB , Proline**

This QSFP-DD dual pluggable EDFA booster amplifier offers a optical input range and provides a +20dB nominal gain to a C-Band DWDM link. The dual pluggable

[Contact Us](#)



### **Fiber Optical Amplifiers for WDM & OTN Networks**

FS fiber optical amplifiers (DWDM EDFA, SOA, EYDFA) M6200 & FMT series, greatly increase optical power for long haul WDM & OTN networks by amplifying optical signals.

[Contact Us](#)

### **Specification - QSFP-DD**

July 11, 2019 - QSFP-DD Hardware Specification for QSFP DOUBLE DENSITY 8X PLUGGABLE TRANSCEIVER - Rev 5.0 May 8, 2019 - Common Management Interface

[Contact Us](#)



### **QSFP Cables o QSFP+ Cables for Sale , Cables on**

Amphenol QSFP Cables o QSFP+ Cables (40G DAC Cables) up to 7m (23') Now In-Stock at Cables on Demand! Amphenol Passive Copper QSFP and QSFP+ 40G

[Contact Us](#)



## Contact Us

---

For datasheets, pricing, or custom fiber access solutions, please visit:  
<https://www.frindel.es>