

# **Budgeting for Long-Distance Optical Cables**





## Overview

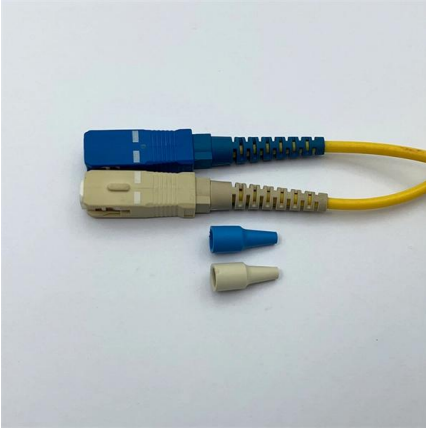
---

This guide explains the principles of optical budgeting, provides actual distances per standard and data rate, and helps you calculate the range of your own installation. The optical budget (or link budget) is the available power margin between the transmitter and receiver of a. Use this worksheet to input values for all variables that will impact your system's performance. The easiest and most accurate way is to perform an Optical Time Domain Reflectometer (OTDR) trace of the actual fiber link. It ensures that the received signal is strong enough for the equipment to process data without errors.



## Budgeting for Long-Distance Optical Cables

---



### Maximum Fiber Optic Range: Optical Budget, Distances 10G/40G

Maximum fiber optic cable range: optical budget, OS2 attenuation 0,35 dB/km, 10G LR 10 km / ZR 80 km, OM3 multimode 300 m, IEEE 802.3 table, practical calculation and long-range SFP

[Contact Us](#)

### Calculate the Fiber-Optic Cable Power Budget , Juniper Networks

To ensure that fiber-optic connections have sufficient power for correct operation, calculate the link's power budget when planning fiber-optic cable layout and distances.

[Contact Us](#)



### Fiber Optic Cable Distance: A Comprehensive Guide

Fiber optic cables are the backbone of modern communications, enabling high-speed data transfer over vast distances. Unlike traditional copper

[Contact Us](#)

### Link Loss Budget Calculator , Fiber Optic Link Loss Budget

Corning's link loss budget calculator will calculate your total link loss and tell you if your system falls within Corning's recommended guidelines.



### Going the Distance: The Tech Behind Long-Haul Fiber

Long-haul transmission uses fiber optic cables to send data quickly and securely over long distances, connecting cities and countries for fast

[Contact Us](#)



### Calculating Fiber Optic Loss Budgets

FOA has a online Loss Budget Calculator web page that will calculate the loss budget for your cable plant.

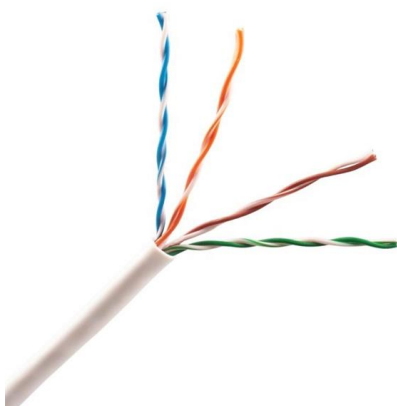
[Contact Us](#)



### How Long Can an Optical Audio Cable Be? A Comprehensive Guide

Optical audio cables, also known as Toslink cables, are capable of transmitting high-quality audio signals over long distances using light pulses. However, the quality of the cable itself

[Contact Us](#)

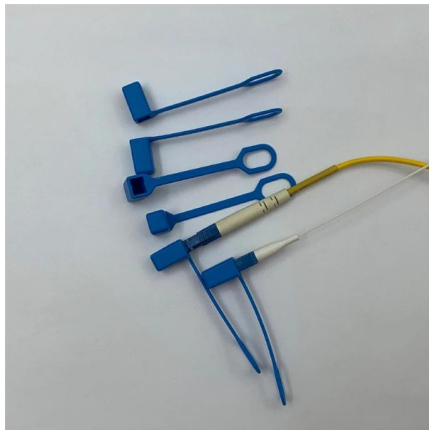




## Optical Link Budget Guide: Formulas & Calculation for 2026 Networks

This guide explains optical link budget in depth, provides practical calculation methods, and demonstrates real-world deployment scenarios with NSComm modules, enabling engineers to

[Contact Us](#)



## Tips on Planning and Budgeting for Optical Fiber

The second step in planning and budgeting for optical fiber network projects and maintenance is to estimate the installation costs of the network, such as the

[Contact Us](#)

## How to Calculate the Fiber Link Budget?

The fiber link budget is key to a fiber optic system, it refers to the amount of loss that a fiber cable plant should have. This paper will explain how to determine fiber link

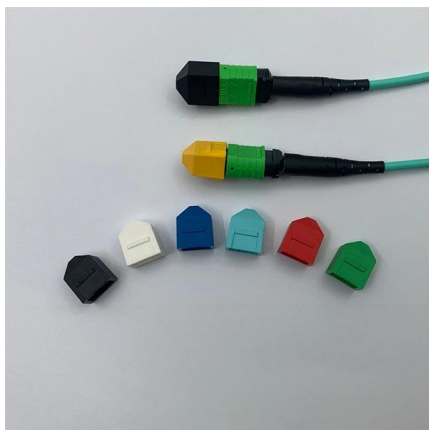
[Contact Us](#)



## Build a Long Distance Fiber Optic Network

The fiber optic network is a technology that transmits data in the form of light signals through fiber optic cables to extend the transmission distance up

[Contact Us](#)

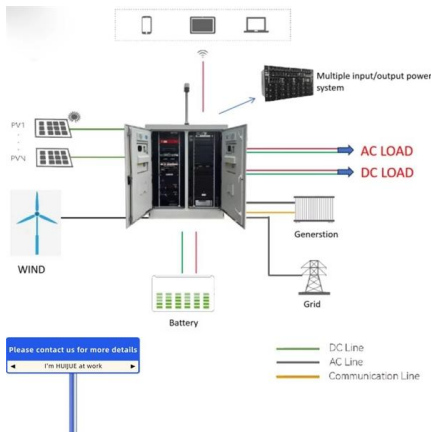




### Loss Budget (3)

Calculate fiber optic loss budgets with this tool, considering network hardware and dynamic range for optimal performance.

[Contact Us](#)



### Optical Power Budget Calculation Guide

Calculating an optical power budget is essential for understanding how far a fiber optic network can extend between media converters without signal distortion. An

[Contact Us](#)

### Cable Loss Budget

Fiber Optic Cable Loss Budget Calculator: Computes the acceptable dB loss in signal over a fiber-optic network based on the material type, number of connectors and splices and the overall length of the run.

[Contact Us](#)



### Top 6 Advantages and Disadvantages of Fiber Optic

Explore the top 6 advantages and disadvantages of fiber optic cable over copper, such as increased bandwidth, low attenuation, immunity to

[Contact Us](#)



## Fiber Optic Loss Budget Calculator

Use this handy tool to calculate the loss budget for your next project. The loss budget is the sum of the average losses of all the components, including fiber optic

[Contact Us](#)



## How to Budget and Plan Optical Fiber Network Projects

Learn how to budget and plan optical fiber network projects for timely, cost-effective completion, using practical tips and best practices.

[Contact Us](#)

## How to Efficiently Calculate Link Power Budget?

In optical communication system, fiber patch cables and optical transceivers are necessities to complete the pathway for optical signal, enabling data to transmit between devices. To

[Contact Us](#)



## Maximum Fiber Optic Range: Optical Budget, Distances 10G/40G

This guide explains the principles of optical budgeting, provides actual distances per standard and data rate, and helps you calculate the range of your own installation.

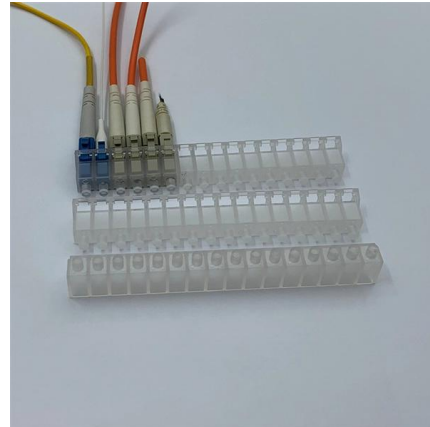
[Contact Us](#)



## Fiber Optics Loss Budget Calculation , Fluke Networks

Know about fiber optics loss budget calculation formula to measure fiber link loss. Download calculator in excel for fiber optical loss budget db calculation.

[Contact Us](#)



## How Far Can a Fiber Optic Cable Be Run? The Practical

Fiber optic cables have revolutionized modern communication networks by enabling blazing-fast data transmission across vast distances.

[Contact Us](#)

## Assessing your optical link budget , Smartoptics

Assessing your optical link budget for a successful embedded WDM network Many people looking to build an embedded WDM network will use the distance

[Contact Us](#)



## Assessing your optical link budget , Smartoptics

By calculating the link budget, we can find the optimal parameters of the transmitting and receiving devices to ensure proper signal transmission. A link budget

[Contact Us](#)



## Fiber Optic Cable Distance: A Comprehensive Guide

Single-mode fiber optic cables are more suitable for long-distance, high-speed transmission than multimode fiber optics. For most applications, the

[Contact Us](#)



## Optical Link Budget Calculation for SFP Modules Explained

Learn optical link budget calculation for SFP modules with formulas, real examples, fiber loss breakdown, and troubleshooting tips for reliable links.

[Contact Us](#)

## How to Plan and Budget for Fiber Optic Installation

Learn how to plan and budget for a fiber optic installation project and what factors to consider. Find out how to choose the right cables, equipment, and methods.

[Contact Us](#)



## Calculating Power Budget and Power Margin for Fiber-Optic Cables

Use the information in this topic and the specifications for your optical interface to calculate the power budget and power margin for fiber-optic cables.

[Contact Us](#)



## Guidelines On What Loss To Expect When Testing

Guidelines On What Loss To Expect When Testing Fiber Optic Cables To be able to judge whether a fiber optic cable plant is good, one does a insertion loss test with

[Contact Us](#)



## Contact Us

---

For datasheets, pricing, or custom fiber access solutions, please visit:  
<https://www.frindel.es>